

HM4100F/4101F

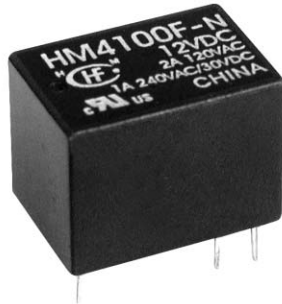
SUBMINIATURE INTERMEDIATE POWER RELAY



File No.:40000155



File No.:E170653



Features

- Extremely low cost
- SPDT configuration
- Standard PC layout
- Sealed version available

CONTACT DATA

Type	1C
Initial Contact Resistance	100mΩ (at 1A,24VDC)
Contact Material	AgNi
Contact Rating (Res. Load)	H: 1A 120VAC/30VDC N&B: 1A 240VAC/30VDC 2A 120VAC
Max. switching voltage	300VAC/150VDC
Max. switching current	2A
Max. switching power	240VA/30W
Mechanical life	1 x 10 ⁷ OPS
Electrical life	1 x 10 ⁵ OPS

COIL

Coil power	H:200 mW; N: 360mW; B: 450 mW
------------	-------------------------------

COIL DATA

Nominal Voltage VDC	Pick-up Voltage VDC	Drop-out Voltage VDC	Max. allowable Voltage (at 25°C) VDC	Coil Resistance Tolerance:±10%		
				H	N	B
3	2.3	0.3	3.9	45	25	20
5	3.8	0.5	6.5	120	70	56
6	4.5	0.6	7.8	180	100	80
9	6.8	0.9	11.7	400	220	180
12	9.0	1.2	15.6	700	400	320
24	18.0	2.4	31.2	2800	1600	1280

CHARACTERISTICS

Initial Insulation Resistance	100M Ω 500 VDC	
Dielectric Strength	Between coil and Contacts	1000Vrms 1min.
	Between open contacts	500Vrms 1min.
Operate time (at nomi. Volt.)	10ms	
Release time (at nomi. Volt.)	5ms	
Temperature rise (at nomi. Volt.)	50°C	
Shock Resistance	Functional	98m/s ² (10g)
	Destructive	980m/s ² (100g)
Vibration Resistance	1.5mm 10 to 55Hz	
Humidity	35% to 85% RH	
Ambient temperature	-25°C to 55°C	
Termination	PCB	
Unit weight	5g	
Construction	Sealed & Unsealed	

SAFETY APPROVAL RATINGS

UL	B or N type coil:	2A 125VAC 1A 240VAC 1A 30VDC
	H type coil:	1A 125VAC 1A 30VDC
VDE		1A 30VDC 1A 250VAC cos phi=1

Telecom Relays HM4100F/4101F



HONGFA RELAY
ISO9001/QS9000/ISO14001 CERTIFIED

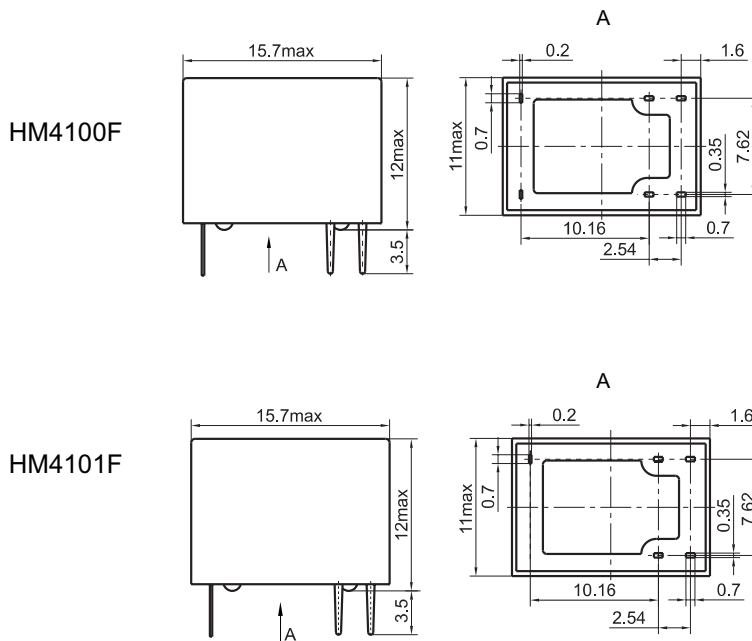
VERSION: EN01-20030715

ORDERING INFORMATION

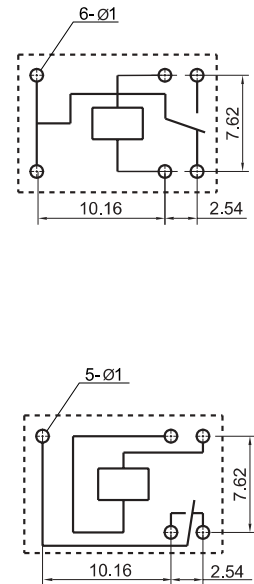
Type	HM4100F / HM4101F /	012	N	S
Coil voltage	3 to 24VDC			
Coil Power	H: 200mW	N: 360mW	B: 450mW	
Structure	Nil: Unsealed	S: Sealed		

OUTLINE DIMENSIONS, WIRING DIAGRAM AND PC BOARD LAYOUT

Outline Dimensions



Wiring Diagram & PCB layout



CHARACTERISTICS CURVE

