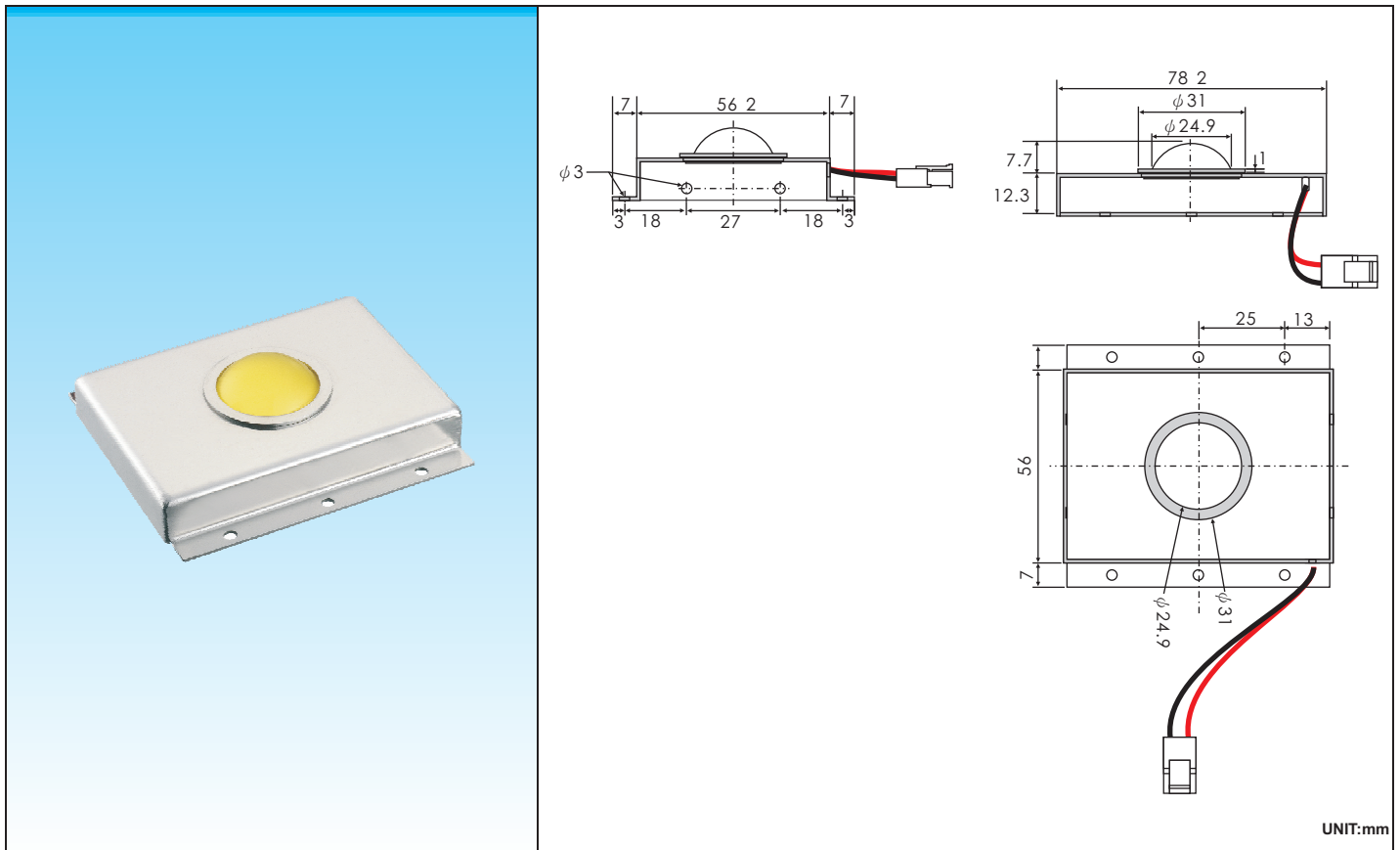




High Power 100W LED Module

IF=2800mA Ta=25°C

Device No	Color		Wavelength(nm)		VF	Brightness(lm)	View Angle 2 θ 1/2
	Emitter	Lens	λ p	λ d	Typical (V)	IV	



UNIT:mm

HPBM-19K100BW		Cool White	Yellow diffused	8000°K	35	6500	120					
HPBM-19K100BWG					Pure White	6000°K		33	7200			
HPBM-19K100BWGA									Nature White	4000°K	35	7650
HPBM-19K100BWGB												33
HPBM-19K100W		33	33	6500								
HPBM-19K100WG				35	33	7200						
HPBM-19K100WGA						33		33	7650			
HPBM-19K100WGB									35	33	8100	
HPBM-19K100NW		33	35								6350	
HPBM-19K100NWG				33	33						7030	
HPBM-19K100NWGA						35		33			7400	
HPBM-19K100NWGB									33	33	7830	
HPBM-19K100NW/CRI 90		35	33				5240					
HPBM-19K100NWG/CRI 90				33	33		5800					
HPBM-19K100NWGA/CRI 90						35	33	6100				
HPBM-19K100NWGB/CRI 90								33	33	6450		