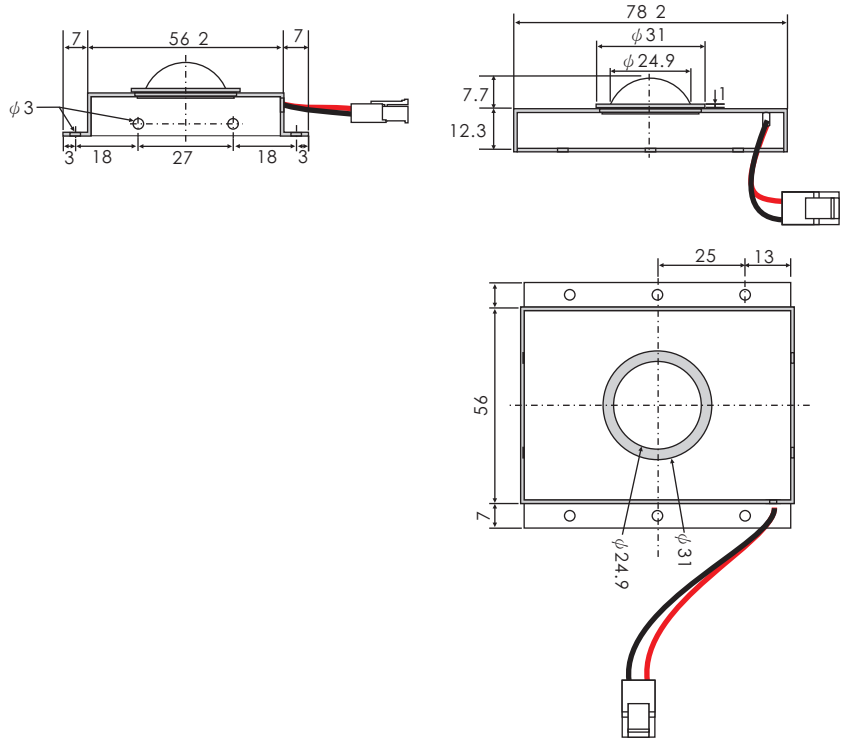
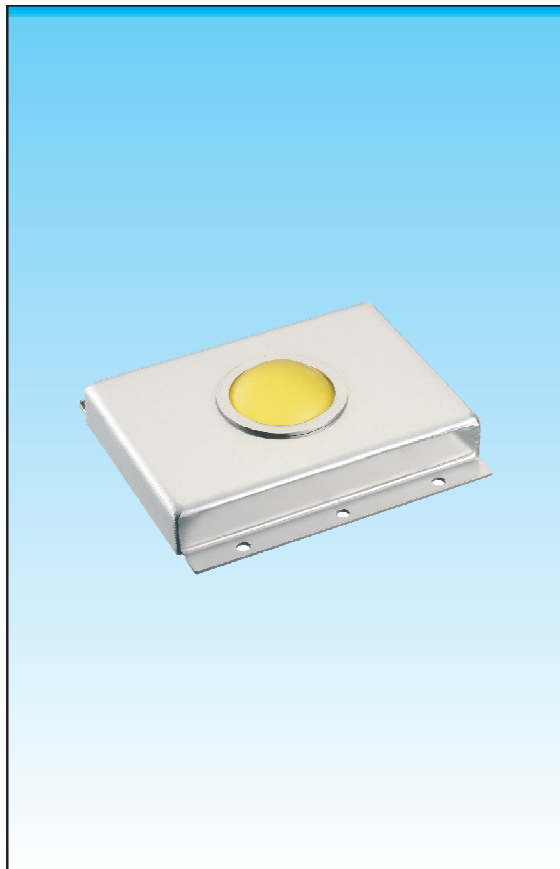


High Power 50W LED Module



IF=1750mA Ta=25°C

Device No	Color		Wavelength(nm)		VF	Brightness(lm)	View
	Emitter	Lens	λ_p	λ_d	Typical (V)	IV	Angle 2 θ 1/2



UNIT:mm

HPBM-19K50BW		Cool White	Yellow diffused	8000°K	28	3250	120	
HPBM-19K50BWG					6000°K	27		3735
HPBM-19K50BWGA								4100
HPBM-19K50BWGB								4340
HPBM-19K50W		Pure White		6000°K				28
HPBM-19K50WG					4000°K	27		3735
HPBM-19K50WGA								4100
HPBM-19K50WGB								4340
HPBM-19K50NW		Nature White		4000°K				28
HPBM-19K50NWG					27	3650		
HPBM-19K50NWGA						3900		
HPBM-19K50NWGB						4120		
HPBM-19K50NW/CRI 90						28		2620
HPBM-19K50NWG/CRI 90					27	3010		
HPBM-19K50NWGA/CRI 90						3150		
HPBM-19K50NWGB/CRI 90						3330		