






High Power Collimator Lens


Ta=25°C

Device No	Crust	Lens Color	View Angle 2θ1/2	Dimension
-----------	-------	------------	---------------------	-----------

				UNIT:mm
	HPH1	Black	Water clear	

				UNIT:mm
	HPH2	Non	Water clear	

				UNIT:mm
	HPH3	Non	Water clear	

				UNIT:mm
	HPH4	White	Catoptrics	

High Power Collimator Lens

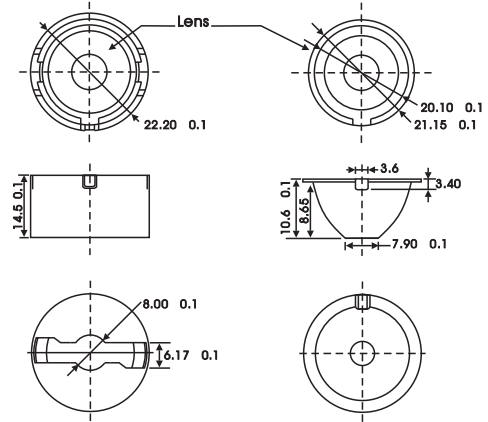


Ta=25°C

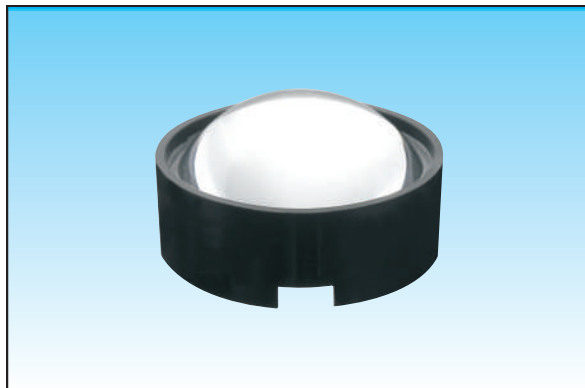
Device No	Crust	Lens Color	View Angle 201/2	Dimension
-----------	-------	------------	---------------------	-----------



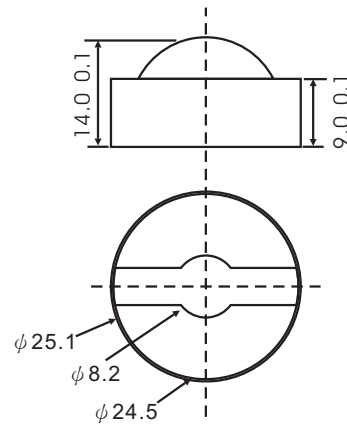
HPH5	Black	Water clear	30
------	-------	-------------	----



UNIT:mm



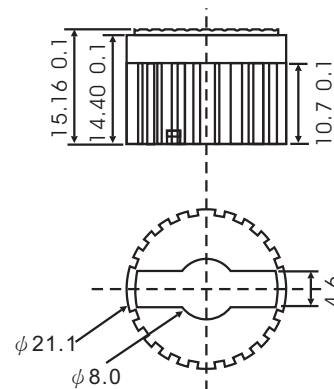
HPH6	Black	Water clear	60
------	-------	-------------	----



UNIT:mm



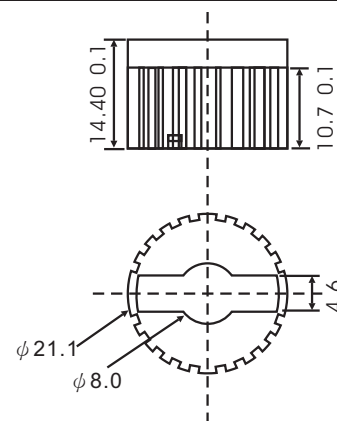
HPH7	Black	Water clear	45
------	-------	-------------	----



UNIT:mm



HPH8	Black	Water clear	25
------	-------	-------------	----



UNIT:mm