

ROHS Compliant



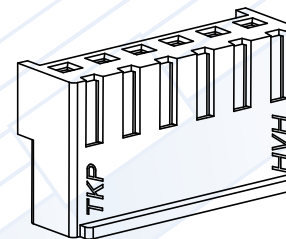
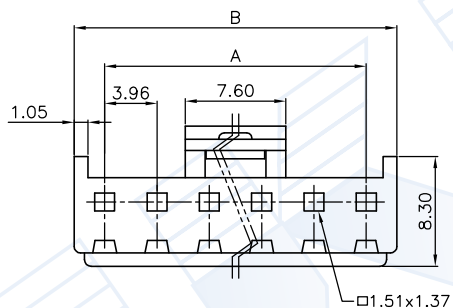
台灣駿品端子股份有限公司

TAIWAN KING PIN TERMINAL CO.,LTD

台北縣樹林市俊德街 23 號

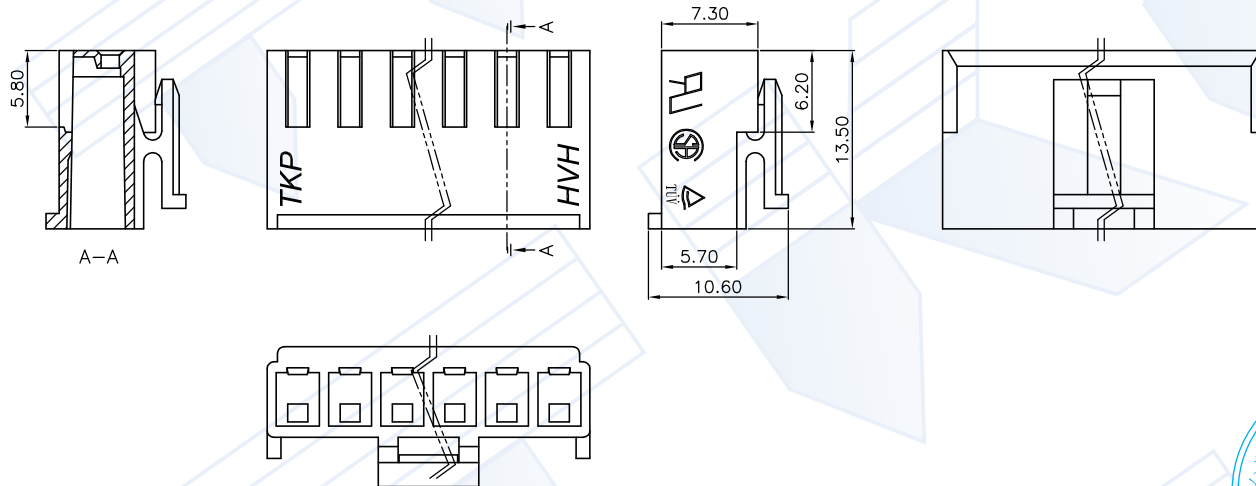
TEL:886-2-26895596.26886112 FAX:886-2-26886110

E-mail:info@tkp.com.tw http://www.tkp.com.tw



NOTE

- * Material : Nylon UL 94V-0 or UL 94V-2
- * Electrical rating : UL 250V 10A, AC/DC
CSA 250V 6A , AC/DC
TUV 250V 7A , AC/DC
- * Color:White
- * Accepts VHT(LF) terminal
- * Mates with PVHI,PVHLseries headers
- * 2-15 circuits available
- * For GWE Testing Approval Used



Circuits	Part No.	Dim. A	Dim. B	Circuits	Part No.	Dim. A	Dim. B
2	HVH-02	3.96	8.60	9	HVH-09	31.68	36.32
3	HVH-03	7.92	12.56	10	HVH-10	35.64	40.28
4	HVH-04	11.88	16.52	11	HVH-11	39.60	44.24
5	HVH-05	15.84	20.48	12	HVH-12	43.56	48.20
6	HVH-06	19.80	24.44	13	HVH-13	47.52	52.16
7	HVH-07	23.76	28.40	14	HVH-14	51.48	56.12
8	HVH-08	27.72	32.36	15	HVH-15	55.44	60.08

PART NO.	HVH-XX			Part NO.	Material	Color/Finish	Remark	APPROVAL
TITLE	3.96mm Wire to Board			HVH-XX	Nylon UL 94V-0	White		DRAWN: 唐雅茹
THIRD ANGLE	SCALE	UNIT	SHEET NO	HVH-XX-NF	Nylon UL 94V-2	White	Schulamid	CHECKED: 張明遠
	3:1	mm	1/1	TOLERANCE	DATE	ODD NUMBERS	REV	APPROVED: 陳泓宇
	396-003		A396-001	.X± 0.30 .XXX±0.10 .XX±0.20 ANGLE±2°	2010.10.14	ENG950676	A3	

