
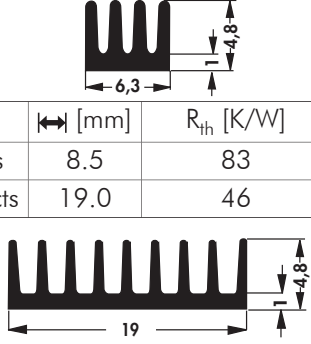
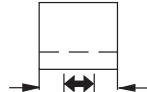



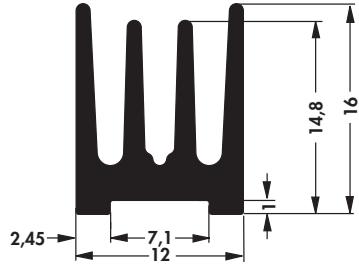
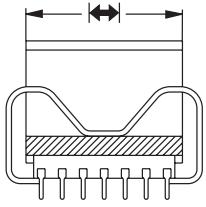
Heatsinks for DIL-IC and PLCC

Heatsinks for DIL-IC


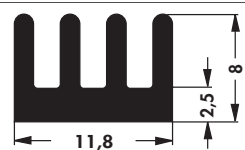
– other length on request

							
art. no.	cases	↔ [mm]	R_{th} [K/W]	art. no.	cases	↔ [mm]	R_{th} [K/W]
ICK 6 8 L	6/8 contacts	8.5	83	ICK 20 L	20 contacts	25.0	34
ICK 14 16 L	14/16 contacts	19.0	46				
ICK 14 16 B	14/16 contacts	6.3	54.0	ICK 36 B	36 contacts	47.0	16.5
ICK 24 B	24 contacts	33.0	19.4	ICK 40 B	40 contacts	51.0	15.8
ICK 28 B	28 contacts	37.0	18.5	ICK 1000 B	—	1000.0	—
surface:		black anodised					

– with clip
– other length on request

							
art. no.	cases	↔ [mm]	R_{th} [K/W]	art. no.	cases	↔ [mm]	R_{th} [K/W]
ICK 14 H	14 contacts	18.0	20	ICK 18 H	18 contacts	23.0	16
ICK 16 H	16 contacts	20.5	18	ICK 1000 H	—	1000.0	—
surface:		black anodised					

Heatsinks for PLCC

		
art. no.	↔ [mm]	R_{th} [K/W]
ICK R	25	19
art. no.	↔ [mm]	R_{th} [K/W]
ICK PLCC 28	11.8	25
surface:		black anodised

Extruded heatsinks
Pin heatsinks for IC
Insulating clamping parts
Thermal conductive glue

→ A 22 – 83
→ B 21 – 27
→ E 43
→ E 21 – 22

Thermally conductive foil
Thermal conductive paste
Hole pattern
Technical introduction

→ E 5 – 13
→ E 19 – 20
→ A 21
→ A 2 – 7