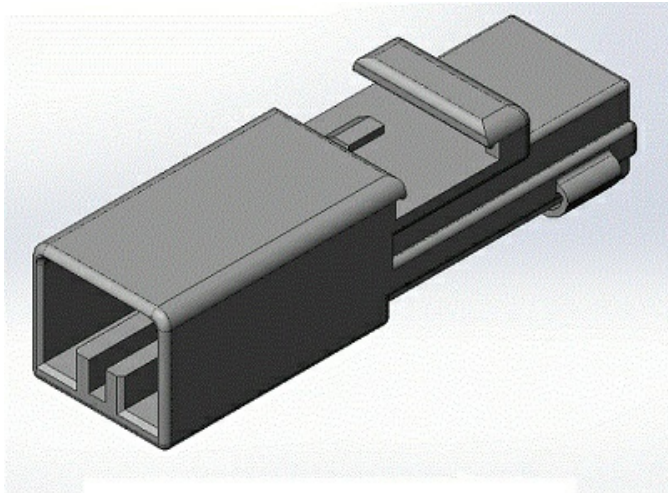


IL-AG9-3P-S3C1

Product Details



Part Number	IL-AG9-3P-S3C1
Status	Active
Number of Positions	3 pos.
Contact Pitch (mm)	2.5 mm
Connector Type	Pin housing
Connector Style	-
Wire Termination Style	Crimp
Applicable Wire Size (AWG)	-
PCB Side Mounting Style	-
Applicable PCB Thickness (mm)	-
Material of Insulator	PBT
Color of Insulator	Green
Material of Contact	-

Finish of Contact in

Connecting Area	-
Finish of Contact in Terminal Area	-
Finish of Contact in PCB Mounting Area	-
Applicable Cable Type	-
Applicable Cable Conductive Area (mm²)	-
Applicable Cable Sheath Diameter (mm)	-
Applicable Contacts	IL-AG5-PC1-5000
Documents	<div style="display: flex; justify-content: space-around; align-items: center;"> <div style="border: 1px solid #ccc; padding: 5px; margin: 2px;"> Drawings </div> <div style="border: 1px solid #ccc; padding: 5px; margin: 2px;"> 3D Models </div> </div> <div style="border: 1px solid #ccc; padding: 5px; margin: 2px; width: fit-content; margin-left: auto; margin-right: auto;"> PDF Download </div>
Stock Search	<div style="border: 1px solid #ccc; padding: 5px; display: inline-block;"> Stock Search </div>
RoHS compliant	10 substances (2011/65/EU)
REACH compliant	
Environment Information	<div style="border: 1px solid #ccc; padding: 5px; display: inline-block;"> RoHS/Reach Certificate </div>
Combination	IL-AG9-3S-S3C1
Remarks	

Notice

- The values specified in this web site are only for reference. The products and their specifications are subject to change without notice. Contact our sales staff for further information before considering or ordering any of our products.

For purchase, a product specification must be agreed upon.

2. Please contact us if you are considering use involving a quality assurance program that you specify or that is peculiar to the industry. Also contact us regarding the details of use, usage, specification before considering or ordering any of our products.
3. Users are requested to provide protection circuits and redundancy circuits to ensure safety of the equipment, and sufficiently review the suitability of JAE's products to the equipment.