

JD 3401

ON-OFF MINI KEY SWITCH

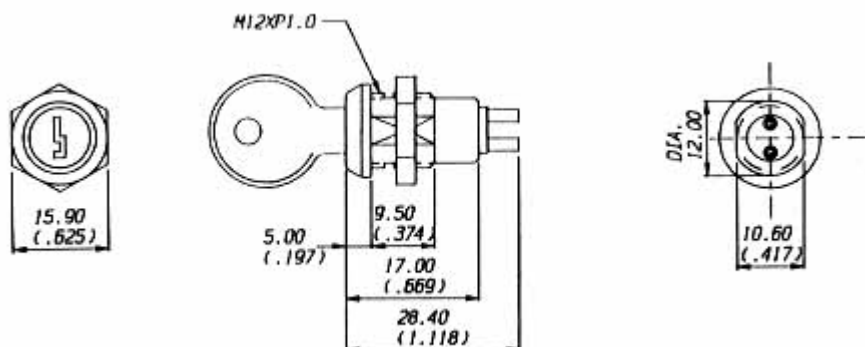
ELECTRICAL SPECIFICATIONS

CONTACT RATING:	2A 125VAC, 1A 250VAC
CONTACT RESISTANCE:	BELOW 10 million OHMS
INSULATION RESISTANCE:	500 mega OHMS
DIELECTRIC STRENGTH:	1000V RMS Min. sea level
ELECTRICAL LIFE:	6000 make-and-break cycles AT FULL LOAD



MATERIALS

LOCK HOUSING:	ZINC ALLOY DIE-CASTED, NICKEL PLATED.
CYLINDER:	4 DISC TUMBLERS CONSTRUCTED.
LOCK HEAD:	COVERED BY STAINLESS STEEL PLATE.
KEYS:	SINGLE BITTED, BRASS OR STEEL, NICKEL PLATED.
CONTACTS:	GOLD PLATED
MOUNTING NUT:	STEEL, NICKEL PLATED.



JACK DART ENTERPRISE CO., LTD

3F, No. 7, Alley 9, Lane 23, Nanking E. Rd., Sec. 5, Taipei, Taiwan

Tel:886-2-2765-1028 Fax:886-2-2756-6259