

## ■ Piezo Buzzer

### Piezo Transducer(External Circuitry Type)

Pin Type

KPEG112

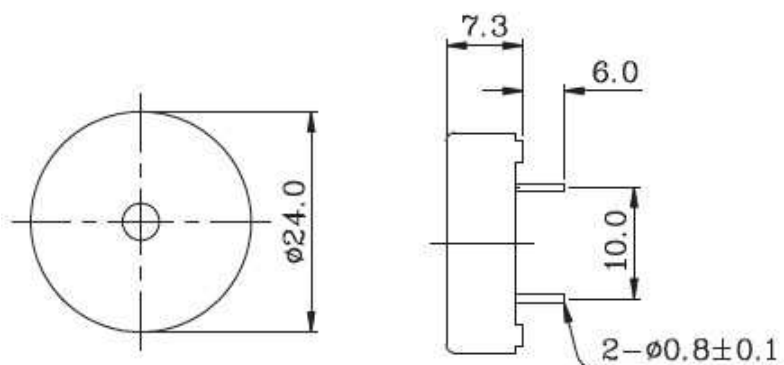
#### .:Shape

### KPEG112



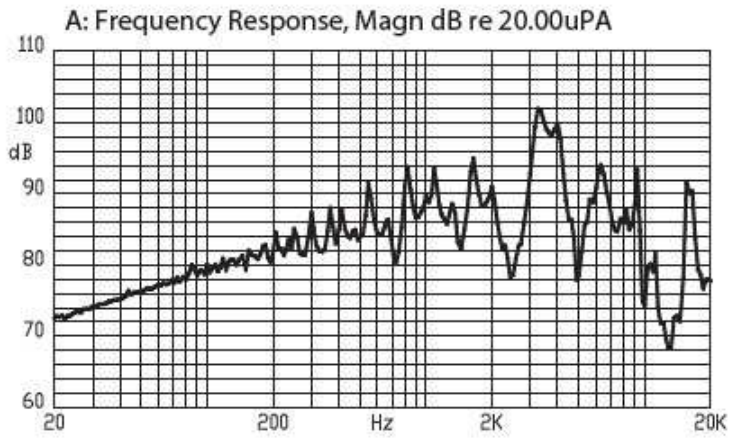
Rated Voltage (Vp-p)	MAX.30
Current Consumption (mA)	MAX.11@10Vp-p,square wave,4.0KHz
Sound Pressure Level (dB)	MIN.92dB@10cm/10Vp-p square wave,4.0KHz
Electrostatic Capacity(pF)	25,000±30%@1KHz/1V
Operating Temperature (°C)	-30 ~ +85
Storage Temperature (°C)	-40 ~ +95
Weight (Gram)	2.5
Material	ABS UL-94 1/16" HB High Heat (Black)

#### .:Dimension



Tol:±0.5 Unit:mm

#### .:Characteristic / Schematic Diagram



---

TOP 