

SANYO

No.1054B

LA7019

Monolithic Linear IC

Electronic Switch
for Use in VTR Applications**Features**

- Wide input dynamic range
- Low distortion
- Good frequency characteristic

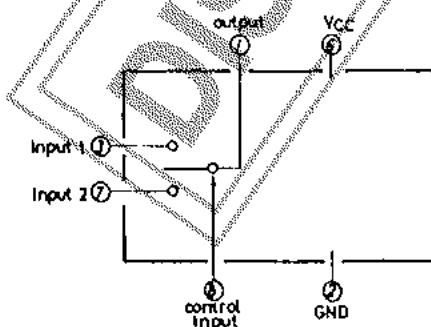
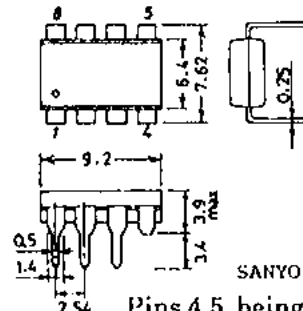
Maximum Ratings at Ta = 25°C

				unit
Maximum Supply Voltage	V _{CC} max		15	V
Allowable Power Dissipation	P _d max	Ta ≤ 65°C	300	mW
Operating Temperature	Topg		-20 to +65	°C
Storage Temperature	Tstg		-40 to +125	°C

Operating Characteristics at Ta = 25°C, V_{CC} = 12V

			min	typ	max	unit
Circuit Current	I _D			9.3	12.5	mA
Total Harmonic Distortion	THD	*R _g = 600Ω, 4.5Vp-p, f = 1kHz, R _L = ∞	0.007	0.1		%
Noise	e _n	*R _g = 600Ω, f = 20Hz to 20kHz, R _L = ∞	-93	-80		dBs
Crosstalk	I _{sl}	*Input A : R _g = 50Ω, f = 3.58MHz 2Vp-p; Input B : R _g = 1kΩ	46	60		dB
Pedestal	ΔV _{ped}	V _g = 2.2 to 3.0V	-100	0	+100	mV
Second Harmonic		R _g = 50Ω, f = 1MHz, 4.0Vp-p, R _L = ∞	46	55		dB
Third Harmonic		R _g = 50Ω, f = 1MHz, 4.0Vp-p, R _L = ∞	46	52		dB
Control, Threshold Voltage	V _{8S}		2.2	2.6	3.0	V
Pin Voltage (pin 1)	V ₁			6.9		V
Pin Voltage (pin 3)	V ₃	V ₈ = 2.0V		7.6		V
Pin Voltage (pin 3)	V ₃	V ₈ = 3.0V		7.6		V
Pin Voltage (pin 7)	V ₇	V ₈ = 3.0V		7.6		V
Pin Voltage (pin 7)	V ₇	V ₈ = 2.2V		7.6		V

Note) * : Test for input 1 and input 2.

For input 1 test, V_{cont} (pin 8 voltage) is 2.0V.For input 2 test, V_{cont} is 3.0V.**Equivalent Circuit Block Diagram****Case Outline 3030A-D8C21C
(unit : mm)**

SANYO :

Pins 4,5, being not used, are cut.

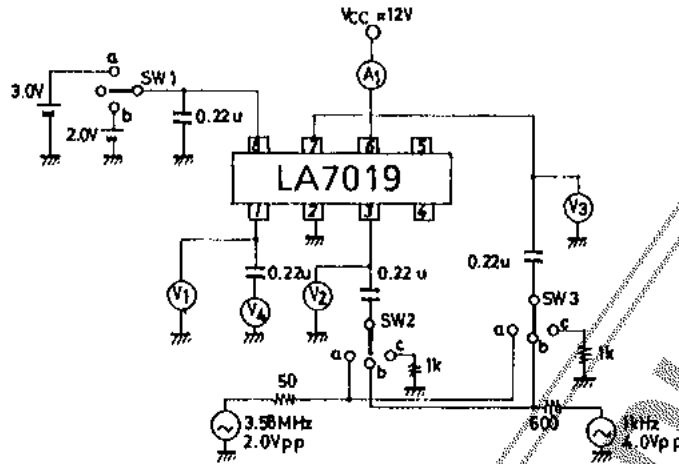
Specifications and information herein are subject to change without notice.

SANYO Electric Co., Ltd. Semiconductor Overseas Marketing Div.
 Natsume Bldg., 18-6, 2-chome, Yushima, Bunkyo-ku, TOKYO 113 JAPAN

N308TA/6105KI/O042KI,TS No.1054-1/3

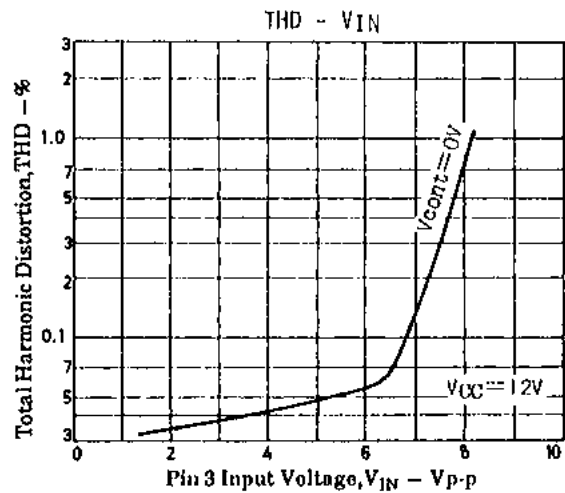
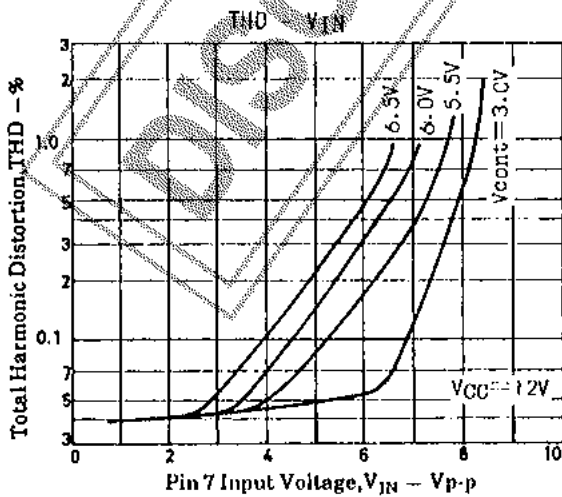
LA7019

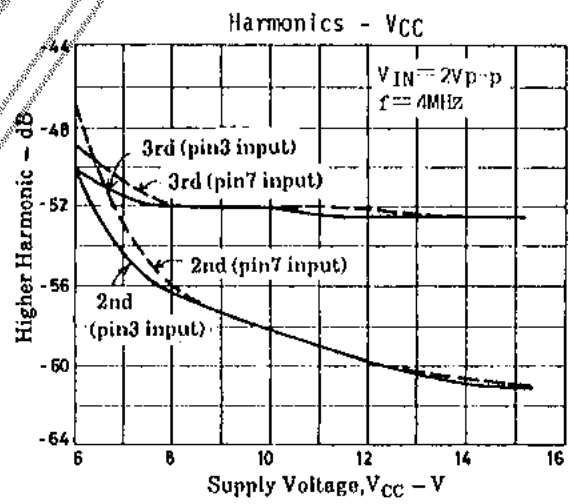
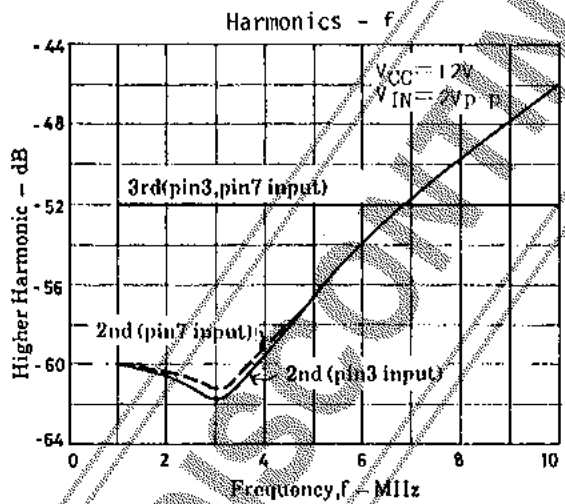
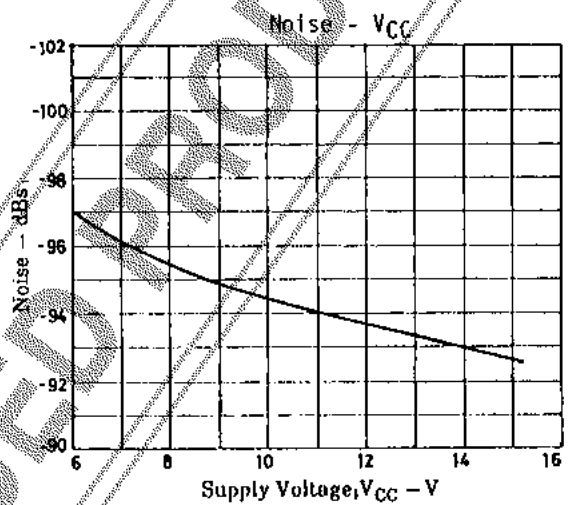
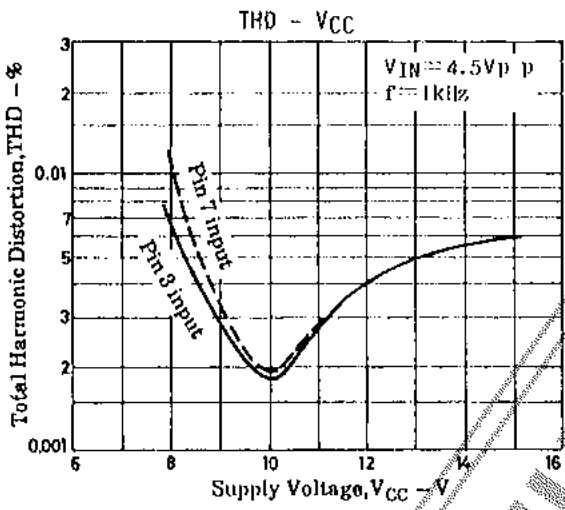
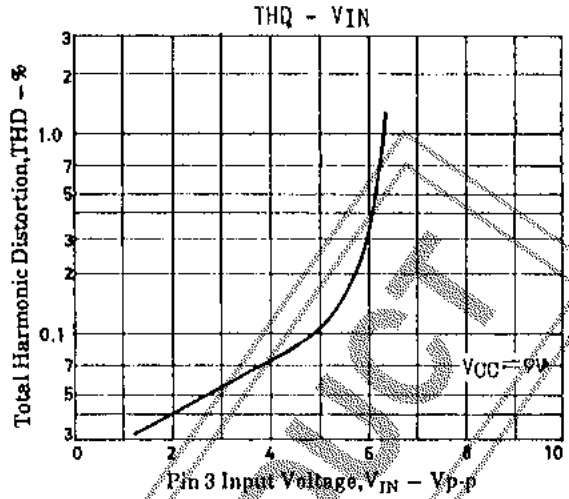
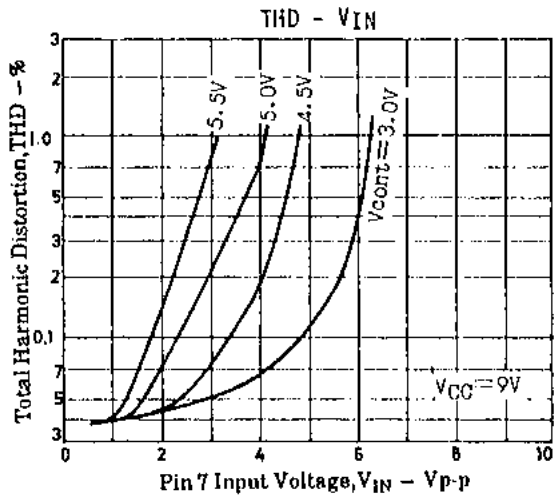
Test Circuit



Test Conditions

Item	Symbol	SW mode			Test Point
		SW1	SW2	SW3	
Circuit Current	I_D	c	c	c	A_1
Distortion (1)	THD	b	b	c	V_4
Distortion (2)	THD	a	c	b	V_4
Noise (1)	e_n	b	c	c	V_4
Noise (2)	e_n	a	c	c	V_4
Crosstalk (1)	I_{S1}	b	c	a	V_4
Crosstalk (2)	I_{S2}	a	a	c	V_4
Pedestal	ΔV_{PED}	a-b	c	c	V_1
Pin voltage (pin 1)		b	c	c	V_1
Pin voltage (pin 3)		b	c	c	V_2
Pin voltage (pin 3)		a	c	c	V_2
Pin voltage (pin 7)		a	c	c	V_3
Pin voltage (pin 7)		b	c	c	V_3





The application circuit diagrams and circuit constants herein are included as an example and provide no guarantee for designing equipment to be mass-produced.
The information herein is believed to be accurate and reliable. However, no responsibility is assumed by SANYO for its use; nor for any infringements of patents or other rights of third parties which may result from its use.

This datasheet has been download from:

www.datasheetcatalog.com

Datasheets for electronics components.