
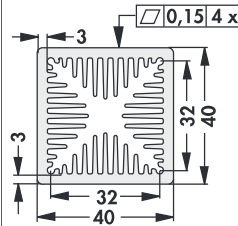
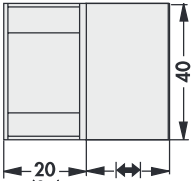
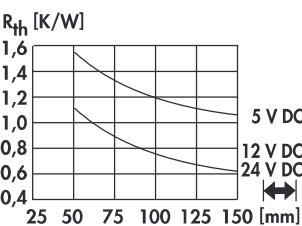

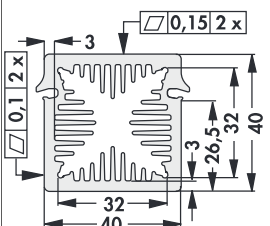
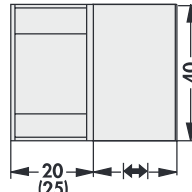
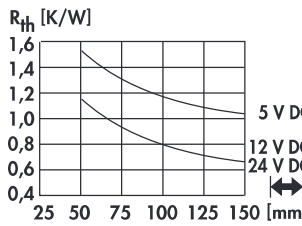


Miniature cooling aggregates

- compact design
- homogeneous heat dissipation
- mounting possible on any side
- powerful axial-fan motor
- other lengths, special designs and processing according to customer's requirements
- other surfaces treatment, fan types and fan voltages on request

art. no.				
LAM 4 ...				
please indicate:	... $\left[\begin{array}{c} \text{---} \\ \text{---} \end{array} \right]$ 50 75 100 125 150 mm		... fan type 5 = 5 V DC 12 = 12 V DC 24 = 24 V DC	
surface:	natural colour anodised			

- with grooves for lock-in retaining spring for transistors THFU → A 119
- compact design
- homogeneous heat dissipation
- mounting possible on any side
- powerful axial-fan motor
- other lengths, special designs and processing according to customer's requirements
- other surfaces treatment, fan types and fan voltages on request

art. no.				
LAM 4 K ...				
please indicate:	... $\left[\begin{array}{c} \text{---} \\ \text{---} \end{array} \right]$ 50 75 100 125 150 mm		... fan type 5 = 5 V DC 12 = 12 V DC 24 = 24 V DC	
surface:	natural colour anodised			

Technical data of the fans

	... 5	... 12	... 24
type	ebmpapst 405	ebmpapst 412 JHH	ebmpapst 414 JHH
dimensions	40x40x20 mm	40x40x25 mm	40x40x25 mm
tension	5 V DC	12 V DC	24 V DC
power inout	0.9 W	3.3 W	3.6 W
max. air volume	10 m ³ /h	24 m ³ /h	24 m ³ /h
temperature range	-20°C... +70°C	-20°C... +60°C	-20°C... +60°C
noise level	18 dB(A)	46 dB(A)	46 dB(A)
speed	6,000 min ⁻¹	13,000 min ⁻¹	13,000 min ⁻¹
weight	27 g	50 g	50 g
failure rate (L₁₀)	L ₁₀ < 50,000 h (40°C) L ₁₀ < 20,000 h (tmax)	L ₁₀ < 57,500 h (40°C) L ₁₀ < 35,000 h (tmax)	L ₁₀ < 57,500 h (40°C) L ₁₀ < 35,000 h (tmax)