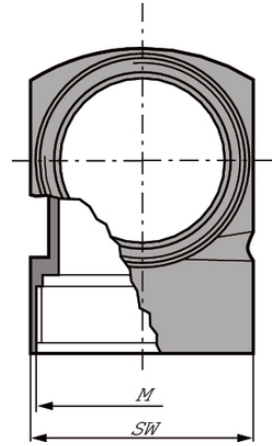
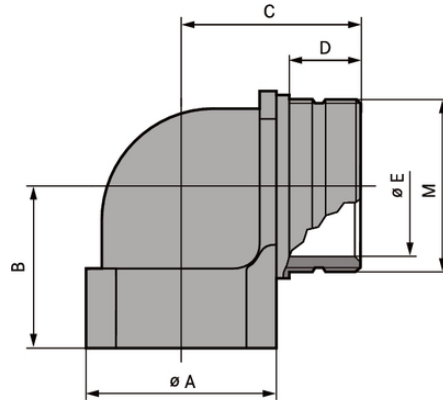
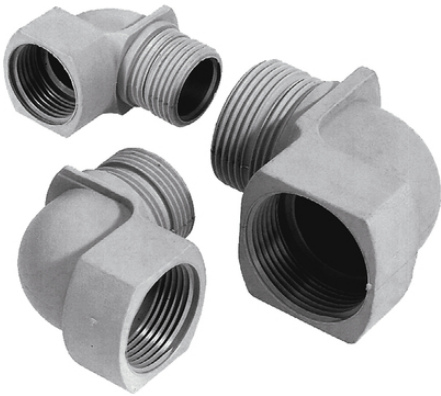


## SKINDICHT® KW-M

SKINDICHT® KW-M, metric, glass fibre-reinforced polyamide angle cable gland to decrease in installation height, space- and weight-saving



Connector with standard housing unit



Space requirement



Low weight

### Benefits

Space- and weight-saving application due to thin cable diameters  
Decrease in installation height

### Application range

Angled glands are used in areas where cables have to run in parallel to the housing wall.  
Light and sound applications  
Control cabinet manufacturing

### Product Make-up

Metric connection thread acc. to DIN EN 60423  
Basis for technical information DIN IEC 62444

### Note

Refer to SKINDICHT® O-ring NBR for suitable O-rings  
SKINDICHT® KW-M can be combined with any cable gland, in particular with SKINTOP® ST-M  
Counter nut to be used: SKINTOP® GMP-GL-M

### Technical Data

Classification ETIM 5:

ETIM 5.0 Class-ID: EC000441

ETIM 5.0 Class-Description: Cable screw gland

Last Update (20.03.2019)

©2019 Lapp Group - Technical changes reserved

Product Management [www.lappkabel.de](http://www.lappkabel.de)

You can find the current technical data in the corresponding data sheet.

PN 0456 / 02\_03.16

**SKINDICHT® KW-M**

Classification ETIM 6:	ETIM 6.0 Class-ID: EC000441 ETIM 6.0 Class-Description: Cable screw gland
Colour delivered:	Silver grey (RAL 7001)
Material:	Polyamide, glass fibre-reinforced
Protection rating:	IP 55
Temperature range:	-20°C to +80°C

**Note**

Photographs and graphics are not to scale and do not represent detailed images of the respective products. Prices are net prices without VAT and surcharges. Sale to business customers only.

**SKINDICHT® KW-M**

Article number	Article designation / size	A mm	B in mm	Ø E mm	SW wrench size mm	Overall length C mm	Thread length D mm
SKINDICHT® KW-M							
52106210	M 16 x 1,5	19	21.5	11	19	24.0	13
52106220	M 20 x 1,5	25	24.5	15	25	29.5	15
52106230	M 25 x 1,5	30	28	20	30	33.5	16
52106240	M 32 x 1,5	36	31.5	26	36	38.0	17

Last Update (20.03.2019)

©2019 Lapp Group - Technical changes reserved

Product Management [www.lappkabel.de](http://www.lappkabel.de)You can find the current technical data in the corresponding data sheet.  
PN 0456 / 02\_03.16