



3-Channel High-Current Low-Saturation Driver

FEATURES

- 3-Channel Magnet Driver.
- High Current (2.0A Max.) and Low Saturation Voltage (1.5V).
- Parallel Operation Capability (Channel 1+2).
- On-Chip Spark Killer Diodes.

ABSOLUTE MAXIMUM RATINGS (at Ta=25°C)

		UNIT
Maximum Supply Voltage	V _{CC} max	8.0 V
Output Supply Voltage	V _{OUT}	10.0V
Input Supply Voltage	V _{IN}	12.0V
Output Current	I _{OUT1} T _{ON} ≤50mS, Duty=20% Solenoid Drive Channel (ch1,2)	1.0A
	I _{OUT2} T _{ON} ≤50mS, Duty=5% Motor Drive Channel (ch3)	2.5A
Spark Killer Diode Forward Current	I _{FSM1} T≤5mS, Duty=5%, Solenoid Drive Channel (ch1,2)	1.0A
	I _{FSM2} T≤5mS, Duty=5%, Motor Drive Channel (ch3)	2.5A
V _{CC} Instantaneous Flow-out Current	I _{CCP} T≤5mS, Duty=5%	3.0A
GND Flow-out Current	I _{GND} T≤50mS, Duty=20%	3.0A
Allowable Power Dissipation	P _{DMAX}	785mW
Operating Temperature	T _{OPG}	-20 ~ +75°C
Storage Temperature	T _{STG}	-65 ~ +150°C

ALLOWABLE OPERATING CONDITIONS (at Ta=25°C)

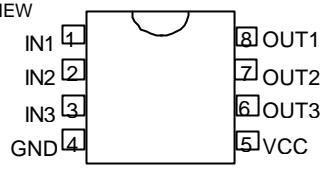
Supply Voltage	V _{CC}		3.0 ~ 7.0V
Input "H" Level Voltage	V _{IH}	I _{OUT} =300mA	3.0 ~ 11.0V
Input "L" Level Voltage	V _{IL}	I _{OUT} ≤100μA	-0.3 ~ +0.7V

ORDERING INFORMATION

LB1268 XX

PACKAGE TYPE
N: PLASTIC DIP

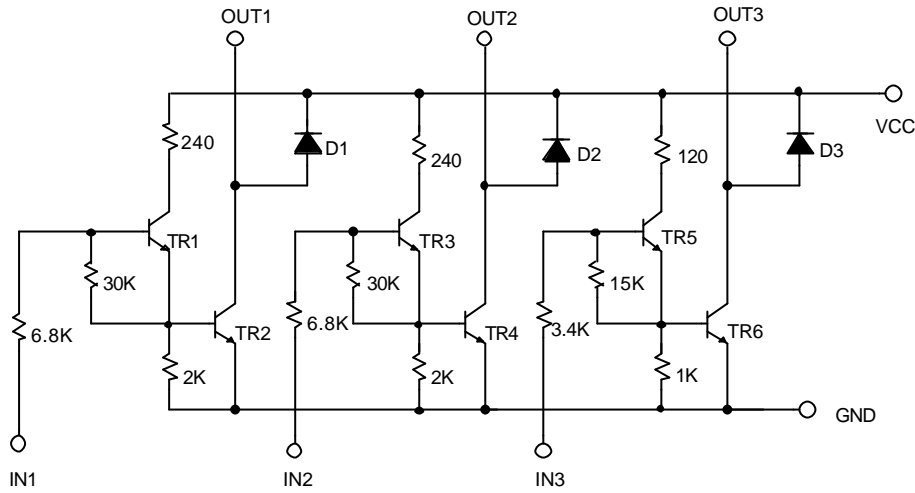
TEMPERATURE
C: 0°C~+70°C

ORDER NUMBER	PIN CONFIGURATION
LB1268CN (PLASTIC DIP)	TOP VIEW 

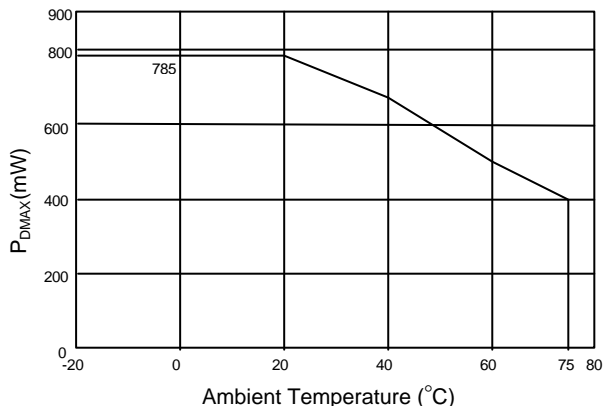
ELECTRICAL CHARACTERISTICS (Ta=25°C)

PARAMETER	TEST CONDITIONS	SYMBOL	MIN.	TYP.	MAX.	UNIT	
Output Voltage	V _{IN} =4.5V, V _{CC} =5.0V, I _{OUT} =500mA (ch1,2)	V _{OH1}		0.44	0.65	V	
	V _{IN} =6.0V, V _{CC} =7.0V, I _{OUT} =1000mA (ch1,2)	V _{OH2}		0.88	1.4	V	
	V _{IN} =6.0V, V _{CC} =7.0V, I _{OUT} =1600mA (ch1,2 parallel)	V _{OH3}			1.4	V	
	V _{IN} =3.0V, V _{CC} =3.0V, I _{OUT} =300mA (ch3)	V _{OH4}		0.19	0.25	V	
	V _{IN} =4.5V, V _{CC} =5.0V, I _{OUT} =1000mA (ch3)	V _{OH5}			0.5	0.7	V
	V _{IN} =6.0V, V _{CC} =7.0V, I _{OUT} =2000mA (ch3)	V _{OH6}			1.0	1.5	V
Input Current	V _{IN} =6.0V (ch1,2)	I _{IN1}			1.0	mA	
	V _{IN} =6.0V (ch3)	I _{IN2}			2.0	mA	
Power Source + Output Leakage Current	V _{IN} =0.5V, V _{OUT} =V _{CC} =6.0V	I _{OFF}			30	μA	
Spark Killer Diode Forward Voltage	I _F =1000mA (ch1,2)	V _{F1}			3.0	V	
	I _F =2000mA (ch3)	V _{F2}			3.0	V	
Output Sustain Voltage	I _{OUT} =400mA	V _{O(SUS)}	10			V	

EQUIVALENT CIRCUIT

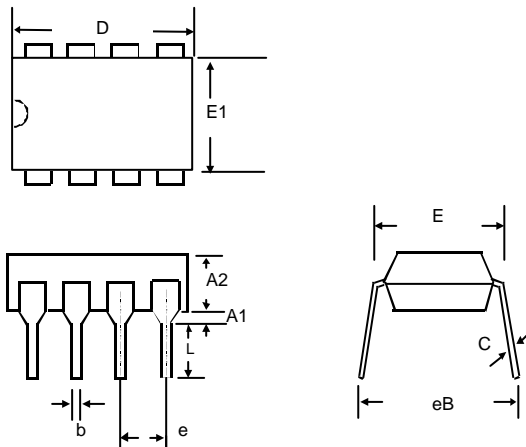


Allowable Power Dissipation vs Temperature



PHYSICAL DIMENSIONS

- 8 LEAD PLASTIC DIP (unit: mm)



SYMBOL	MIN	MAX
A1	0.381	—
A2	2.92	4.96
b	0.35	0.56
C	0.20	0.36
D	9.01	10.16
E	7.62	8.26
E1	6.09	7.12
e	2.54 (TYP)	
eB	—	10.92
L	2.92	3.81

This datasheet has been download from:

www.datasheetcatalog.com

Datasheets for electronics components.