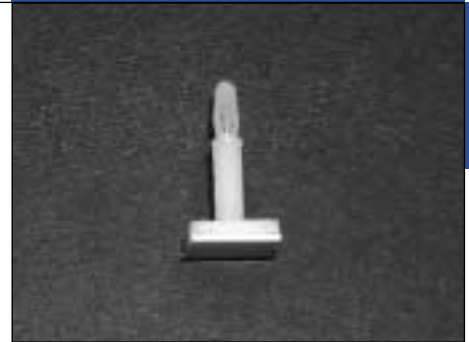
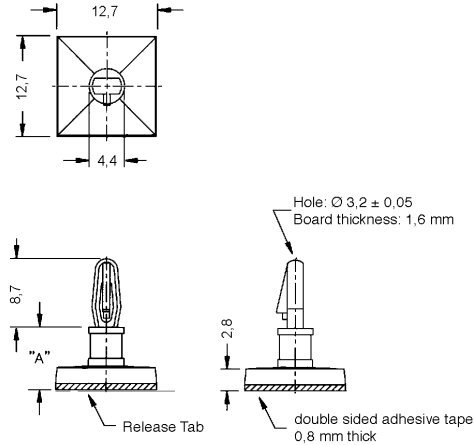


Part No.	"A" mm
LCBSBM-3-01A-RT	4.8
LCBSBM-4-01A-RT	6.4
LCBSBM-5-01A-RT	7.9
LCBSBM-6-01A-RT	9.5
LCBSBM-7-01A-RT	11.1
LCBSBM-8-01A-RT	12.7
LCBSBM-9-01A-RT	14.3
LCBSBM-10-01A-RT	15.9



LCBSBM

LOCKING CIRCUIT BOARD SUPPORT
ON BASE, MINIATURE

Material: Nylon 6/6 - natural; UL 94 V-2, RMS-01
or
Nylon 6/6 - natural; UL 94 V-0, RMS-19
Adhesive tape: Temperature Range: -20°C to +50°C
Std. Pk.: 1.000 pcs.

Note:

LCBSBM 3 01 A-RT

Part Length Material Code +Adh. Tape