

# LF444

*LF444 Quad Low Power JFET Input Operational Amplifier*



Literature Number: SNOSC04C

## LF444

# Quad Low Power JFET Input Operational Amplifier

### General Description

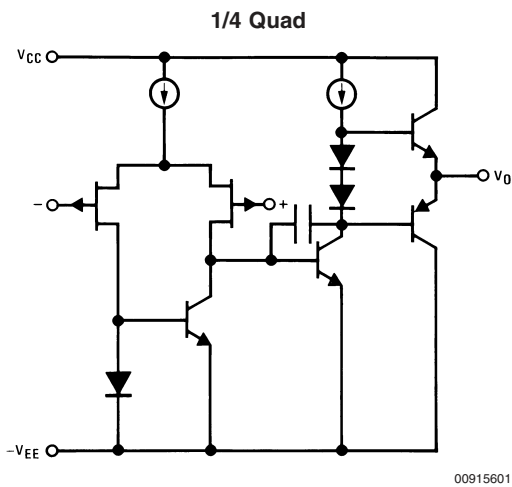
The LF444 quad low power operational amplifier provides many of the same AC characteristics as the industry standard LM148 while greatly improving the DC characteristics of the LM148. The amplifier has the same bandwidth, slew rate, and gain (10 k $\Omega$  load) as the LM148 and only draws one fourth the supply current of the LM148. In addition the well matched high voltage JFET input devices of the LF444 reduce the input bias and offset currents by a factor of 10,000 over the LM148. The LF444 also has a very low equivalent input noise voltage for a low power amplifier.

The LF444 is pin compatible with the LM148 allowing an immediate 4 times reduction in power drain in many applications. The LF444 should be used wherever low power dissipation and good electrical characteristics are the major considerations.

### Features

- 1/4 supply current of a LM148: 200  $\mu$ A/Amplifier (max)
- Low input bias current: 50 pA (max)
- High gain bandwidth: 1 MHz
- High slew rate: 1 V/ $\mu$ s
- Low noise voltage for low power 35 nV/ $\sqrt{\text{Hz}}$
- Low input noise current 0.01 pA/ $\sqrt{\text{Hz}}$
- High input impedance:  $10^{12}\Omega$
- High gain: 50k (min)

### Simplified Schematic



### Ordering Information

#### LF444XYZ

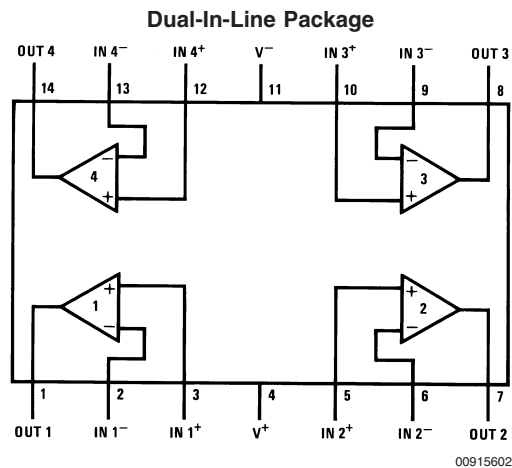
X indicates electrical grade

Y indicates temperature range

"M" for military, "C" for commercial

Z indicates package type "D", "M" or "N"

### Connection Diagram



#### Top View

Order Number LF444CM, LF444CMX,  
LF444ACN, LF 444CN or LF444MD/883  
See NS Package Number D14E, M14A or N14A

## Absolute Maximum Ratings (Note 11)

If Military/Aerospace specified devices are required, please contact the National Semiconductor Sales Office/Distributors for availability and specifications.

|   | LF444A           | LF444                |
|---|------------------|----------------------|
| Supply Voltage                            | ±22V             | ±18V                 |
| Differential Input Voltage                | ±38V             | ±30V                 |
| Input Voltage Range<br>(Note 1)           | ±19V             | ±15V                 |
| Output Short Circuit<br>Duration (Note 2) | Continuous       | Continuous           |
|   | <b>D Package</b> | <b>N, M Packages</b> |
| Power Dissipation<br>(Notes 3, 9)         | 900 mW           | 670 mW               |
| T <sub>j</sub> max                        | 150°C            | 115°C                |
| θ <sub>JA</sub> (Typical)                 | 100°C/W          | 85°C/W               |

Operating Temperature Range  
Storage Temperature Range  
ESD Tolerance (Note 10)

**LF444A/LF444**  
(Note 4)  
-65°C ≤ T<sub>A</sub> ≤ 150°C  
Rating to  
be determined

Soldering Information  
Dual-In-Line Packages  
(Soldering, 10 sec.) 260°C  
Small Outline Package  
Vapor Phase (60 sec.) 215°C  
Infrared (15 sec.) 220°C

See AN-450 "Surface Mounting Methods and Their Effect on Product Reliability" for other methods of soldering surface mount devices.

## DC Electrical Characteristics (Note 5)

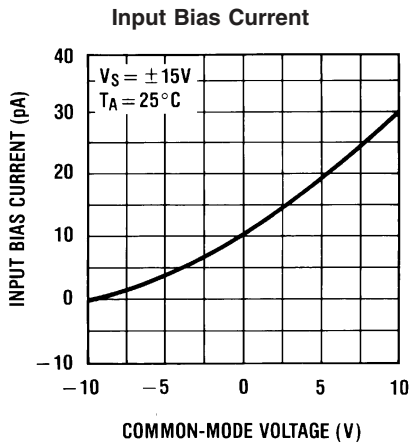
| Symbol               | Parameter                          | Conditions                                    | LF444A                 |                  |     | LF444 |                  |     | Units |    |
|----------------------|------------------------------------|---|------------------------|------------------|-----|-------|------------------|-----|-------|----|
|                      |                                    |   | Min                    | Typ              | Max | Min   | Typ              | Max |       |    |
| V <sub>OS</sub>      | Input Offset Voltage               | R <sub>S</sub> = 10k, T <sub>A</sub> = 25°C   |                        | 2                | 5   |       | 3                | 10  | mV    |    |
|                      |                                    | 0°C ≤ T <sub>A</sub> ≤ +70°C                  |                        |                  | 6.5 |       |                  | 12  | mV    |    |
|                      |                                    | -55°C ≤ T <sub>A</sub> ≤ +125°C               |                        |                  | 8   |       |                  |     | mV    |    |
| ΔV <sub>OS</sub> /ΔT | Average TC of Input Offset Voltage | R <sub>S</sub> = 10 kΩ                        |                        | 10               |     |       | 10               |     | μV/°C |    |
| I <sub>OS</sub>      | Input Offset Current               | V <sub>S</sub> = ±15V<br>(Notes 5, 6)         | T <sub>J</sub> = 25°C  | 5                | 25  |       | 5                | 50  | pA    |    |
|                      |                                    |   | T <sub>J</sub> = 70°C  |                  |     | 1.5   |                  | 1.5 | nA    |    |
|                      |                                    |   | T <sub>J</sub> = 125°C |                  |     | 10    |                  |     | nA    |    |
| I <sub>B</sub>       | Input Bias Current                 | V <sub>S</sub> = ±15V<br>(Notes 5, 6)         | T <sub>J</sub> = 25°C  |                  | 10  | 50    |                  | 10  | 100   | pA |
|                      |                                    |   | T <sub>J</sub> = 70°C  |                  |     | 3     |                  |     | 3     | nA |
|                      |                                    |   | T <sub>J</sub> = 125°C |                  |     | 20    |                  |     |       | nA |
| R <sub>IN</sub>      | Input Resistance                   | T <sub>J</sub> = 25°C                         |                        | 10 <sup>12</sup> |     |       | 10 <sup>12</sup> |     | Ω     |    |
| A <sub>VOL</sub>     | Large Signal Voltage Gain          | V <sub>S</sub> = ±15V, V <sub>O</sub> = ±10V  | 50                     | 100              |     | 25    | 100              |     | V/mV  |    |
|                      |                                    | R <sub>L</sub> = 10 kΩ, T <sub>A</sub> = 25°C |                        |                  |     |       |                  |     |       |    |
|                      |                                    | Over Temperature                              | 25                     |                  |     | 15    |                  |     | V/mV  |    |
| V <sub>O</sub>       | Output Voltage Swing               | V <sub>S</sub> = ±15V, R <sub>L</sub> = 10 kΩ | ±12                    | ±13              |     | ±12   | ±13              |     | V     |    |
| V <sub>CM</sub>      | Input Common-Mode Voltage Range    |   | ±16                    | +18              |     | ±11   | +14              |     | V     |    |
|                      |                                    |   |                        | -17              |     |       | -12              |     | V     |    |
| CMRR                 | Common-Mode Rejection Ratio        | R <sub>S</sub> ≤ 10 kΩ                        | 80                     | 100              |     | 70    | 95               |     | dB    |    |
| PSRR                 | Supply Voltage Rejection Ratio     | (Note 7)                                      | 80                     | 100              |     | 70    | 90               |     | dB    |    |
| I <sub>S</sub>       | Supply Current                     |   |                        | 0.6              | 0.8 |       | 0.6              | 1.0 | mA    |    |

## AC Electrical Characteristics (Note 5)

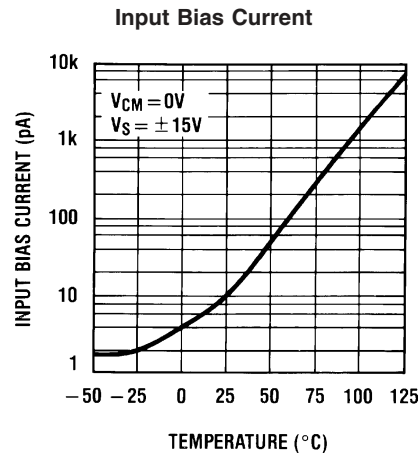
| Symbol | Parameter                       | Conditions  | LF444A |      |     | LF444 |      |     | Units           |
|--------|---------------------------------|---|--------|------|-----|-------|------|-----|-----------------|
|        |                                 |   | Min    | Typ  | Max | Min   | Typ  | Max |                 |
|        | Amplifier-to-Amplifier Coupling |   |        | -120 |     |       | -120 |     | dB              |
| SR     | Slew Rate                       | $V_S = \pm 15V, T_A = 25^\circ C$                           |        | 1    |     |       | 1    |     | V/ $\mu s$      |
| GBW    | Gain-Bandwidth Product          | $V_S = \pm 15V, T_A = 25^\circ C$                           |        | 1    |     |       | 1    |     | MHz             |
| $e_n$  | Equivalent Input Noise Voltage  | $T_A = 25^\circ C, R_S = 100\Omega,$<br>$f = 1 \text{ kHz}$ |        | 35   |     |       | 35   |     | nV/ $\sqrt{Hz}$ |
| $i_n$  | Equivalent Input Noise Current  | $T_A = 25^\circ C, f = 1 \text{ kHz}$                       |        | 0.01 |     |       | 0.01 |     | pA/ $\sqrt{Hz}$ |

- Note 1:** Unless otherwise specified the absolute maximum negative input voltage is equal to the negative power supply voltage.
- Note 2:** Any of the amplifier outputs can be shorted to ground indefinitely, however, more than one should not be simultaneously shorted as the maximum junction temperature will be exceeded.
- Note 3:** For operating at elevated temperature, these devices must be derated based on a thermal resistance of  $\theta_{JA}$ .
- Note 4:** The LF444A is available in both the commercial temperature range  $0^\circ C \leq T_A \leq 70^\circ C$  and the military temperature range  $-55^\circ C \leq T_A \leq 125^\circ C$ . The LF444 is available in the commercial temperature range only. The temperature range is designated by the position just before the package type in the device number. A "C" indicates the commercial temperature range and an "M" indicates the military temperature range. The military temperature range is available in "D" package only.
- Note 5:** Unless otherwise specified the specifications apply over the full temperature range and for  $V_S = \pm 20V$  for the LF444A and for  $V_S = \pm 15V$  for the LF444.  $V_{OS}, I_B,$  and  $I_{OS}$  are measured at  $V_{CM} = 0$ .
- Note 6:** The input bias currents are junction leakage currents which approximately double for every  $10^\circ C$  increase in the junction temperature,  $T_j$ . Due to limited production test time, the input bias currents measured are correlated to junction temperature. In normal operation the junction temperature rises above the ambient temperature as a result of internal power dissipation,  $P_D$ .  $T_j = T_A + \theta_{JA}P_D$  where  $\theta_{JA}$  is the thermal resistance from junction to ambient. Use of a heat sink is recommended if input bias current is to be kept to a minimum.
- Note 7:** Supply voltage rejection ratio is measured for both supply magnitudes increasing or decreasing simultaneously in accordance with common practice from  $\pm 15V$  to  $\pm 5V$  for the LF444 and from  $\pm 20V$  to  $\pm 5V$  for the LF444A.
- Note 8:** Refer to RETS444X for LF444MD military specifications.
- Note 9:** Max. Power Dissipation is defined by the package characteristics. Operating the part near the Max. Power Dissipation may cause the part to operate outside guaranteed limits.
- Note 10:** Human body model,  $1.5 \text{ k}\Omega$  in series with  $100 \text{ pF}$ .
- Note 11:** Absolute Maximum Ratings indicate limits beyond which damage to the device may occur. Operating ratings indicate conditions for which the device is functional, but do not guarantee specific performance limits. Electrical Characteristics state DC and AC electrical specifications under particular test conditions which guarantee specific performance limits. This assumes that the device is within the Operating Ratings. Specifications are not guaranteed for parameters where no limit is given, however, the typical value is a good indication of device performance.

## Typical Performance Characteristics

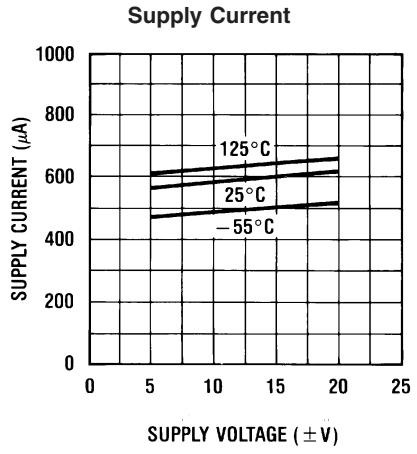


00915612

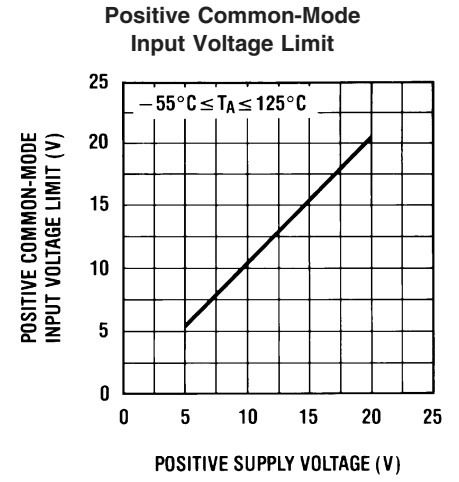


00915613

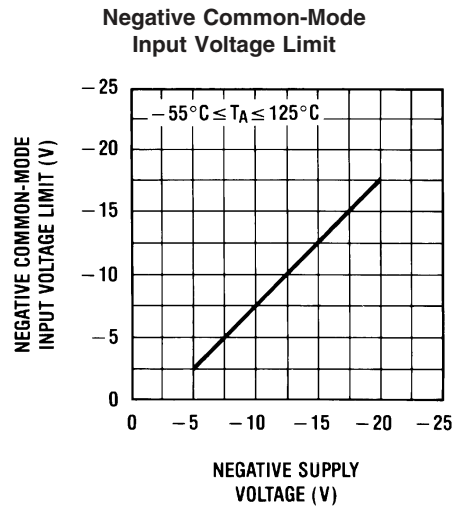
Typical Performance Characteristics (Continued)



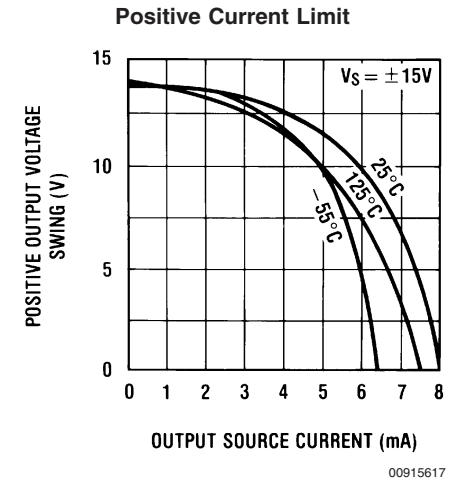
00915614



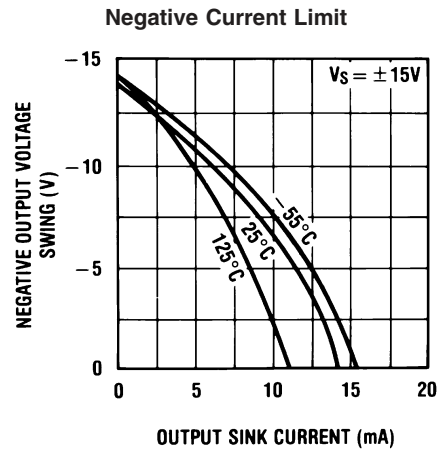
00915615



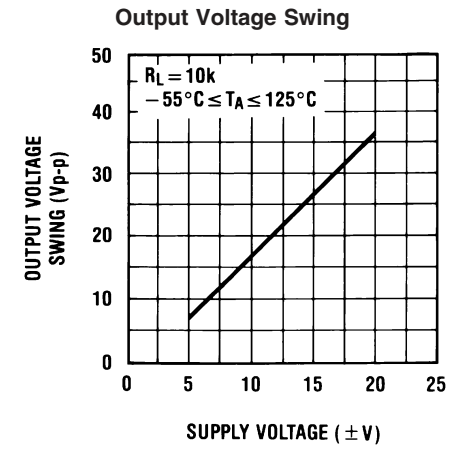
00915616



00915617

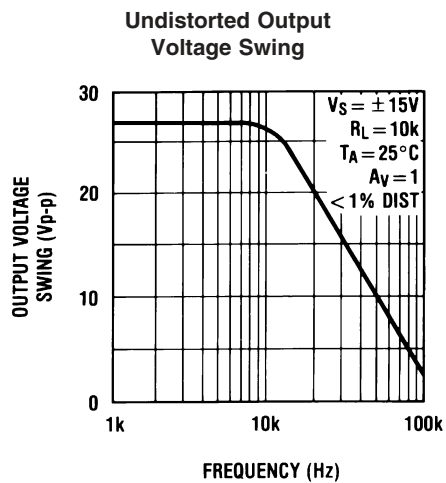
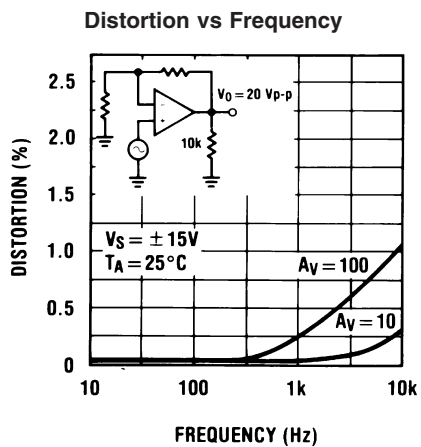
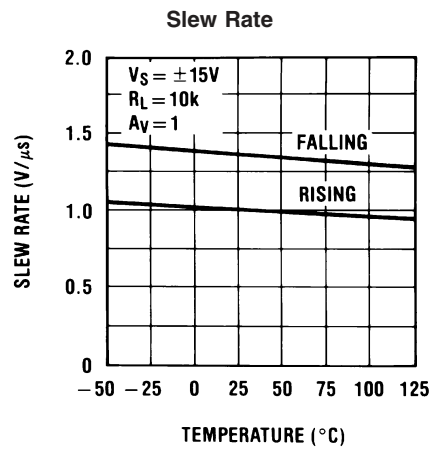
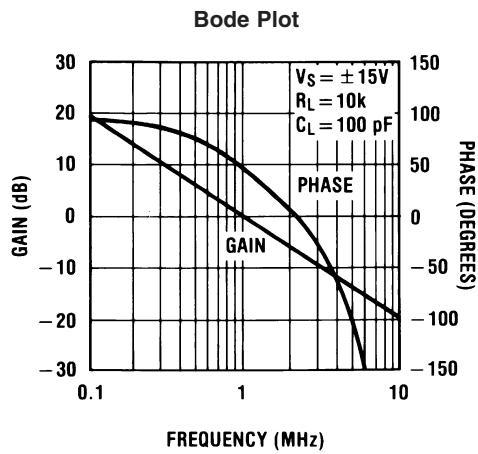
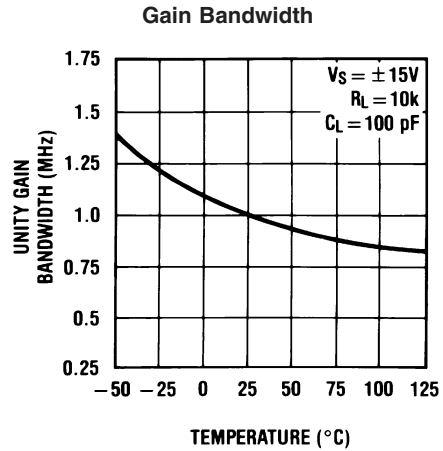
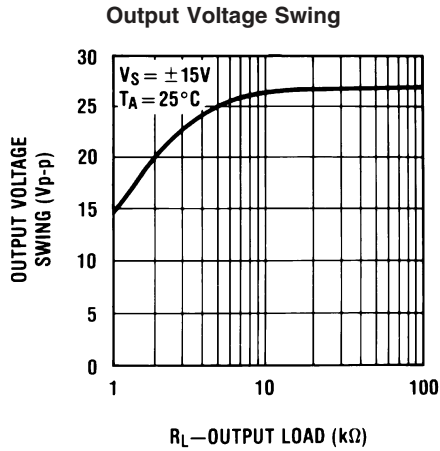


00915618



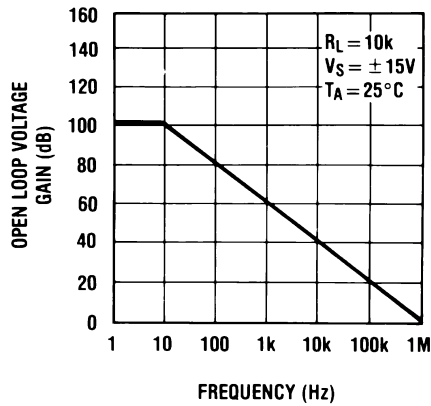
00915619

Typical Performance Characteristics (Continued)



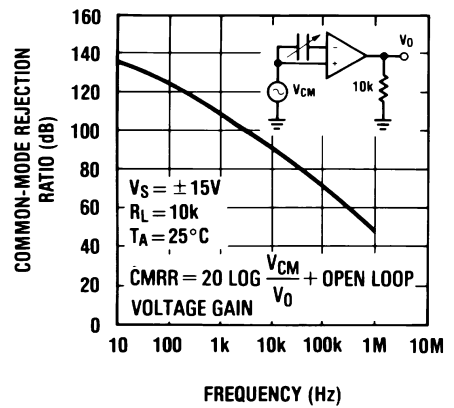
Typical Performance Characteristics (Continued)

Open Loop Frequency Response



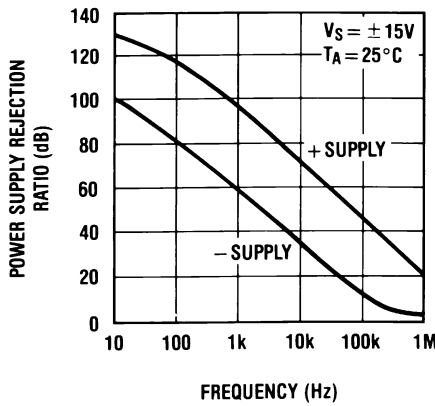
00915626

Common-Mode Rejection Ratio



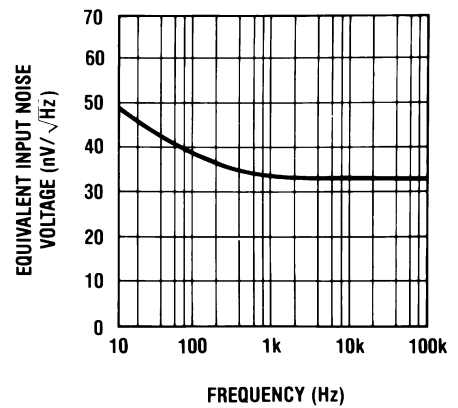
00915627

Power Supply Rejection Ratio



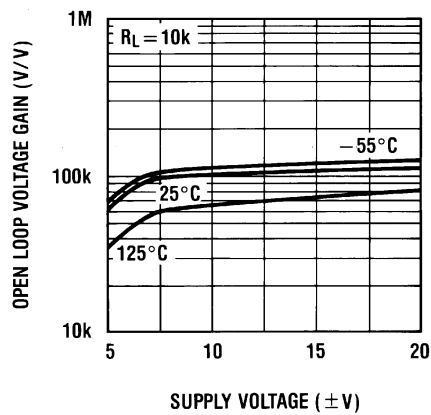
00915628

Equivalent Input Noise Voltage



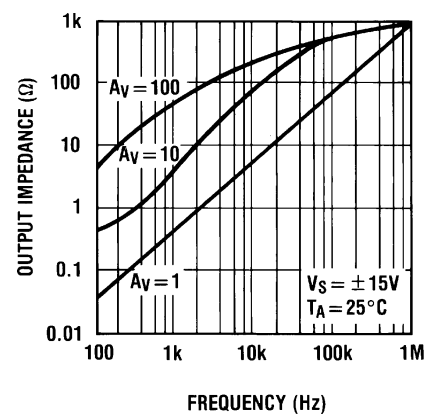
00915629

Open Loop Voltage Gain



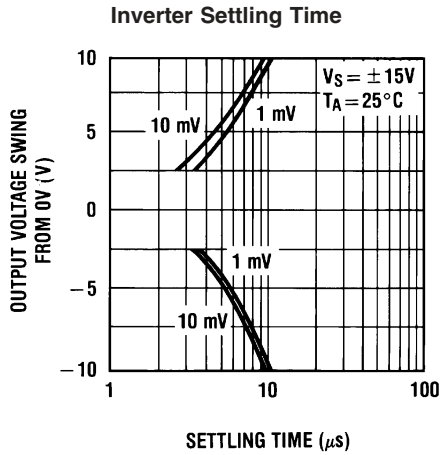
00915630

Output Impedance



00915631

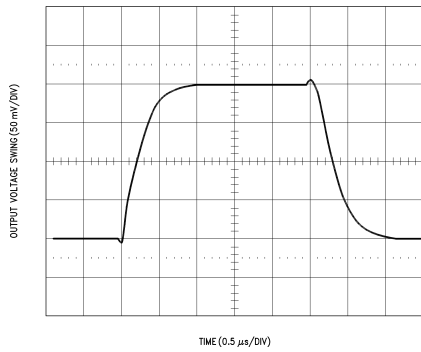
Typical Performance Characteristics (Continued)



00915632

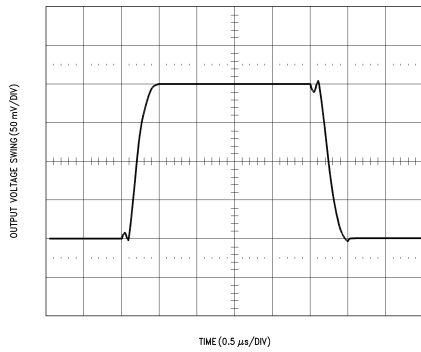
Pulse Response  $R_L = 10\text{ k}\Omega$ ,  $C_L = 10\text{ pF}$

Small Signal Inverting



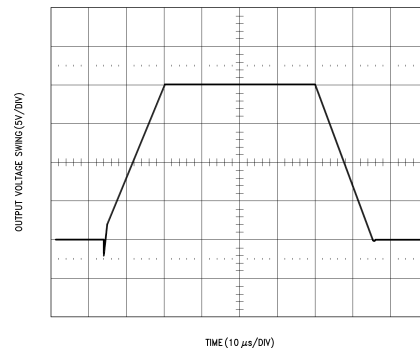
00915606

Small Signal Non-Inverting



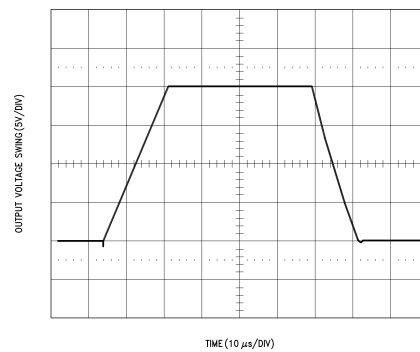
00915607

Large Signal Inverting



00915608

Large Signal Non-Inverting



00915609

Application Hints

This device is a quad low power op amp with JFET input devices (BI-FET™). These JFETs have large reverse break-down voltages from gate to source and drain eliminating the need for clamps across the inputs. Therefore, large differential input voltages can easily be accommodated without a large increase in input current. The maximum differential input voltage is independent of the supply voltages. However, neither of the input voltages should be allowed to exceed the negative supply as this will cause large currents to flow which can result in a destroyed unit.



## Application Hints (Continued)

Exceeding the negative common-mode limit on either input will force the output to a high state, potentially causing a reversal of phase to the output. Exceeding the negative common-mode limit on both inputs will force the amplifier output to a high state. In neither case does a latch occur since raising the input back within the common-mode range again puts the input stage and thus the amplifier in a normal operating mode.

Exceeding the positive common-mode limit on a single input will not change the phase of the output; however, if both inputs exceed the limit, the output of the amplifier will be forced to a high state.

The amplifiers will operate with a common-mode input voltage equal to the positive supply; however, the gain bandwidth and slew rate may be decreased in this condition. When the negative common-mode voltage swings to within 3V of the negative supply, an increase in input offset voltage may occur.

Each amplifier is individually biased to allow normal circuit operation with power supplies of  $\pm 3.0V$ . Supply voltages less than these may degrade the common-mode rejection and restrict the output voltage swing.

The amplifiers will drive a  $10\text{ k}\Omega$  load resistance to  $\pm 10V$  over the full temperature range. If the amplifier is forced to drive heavier load currents, however, an increase in input offset voltage may occur on the negative voltage swing and finally reach an active current limit on both positive and negative swings.

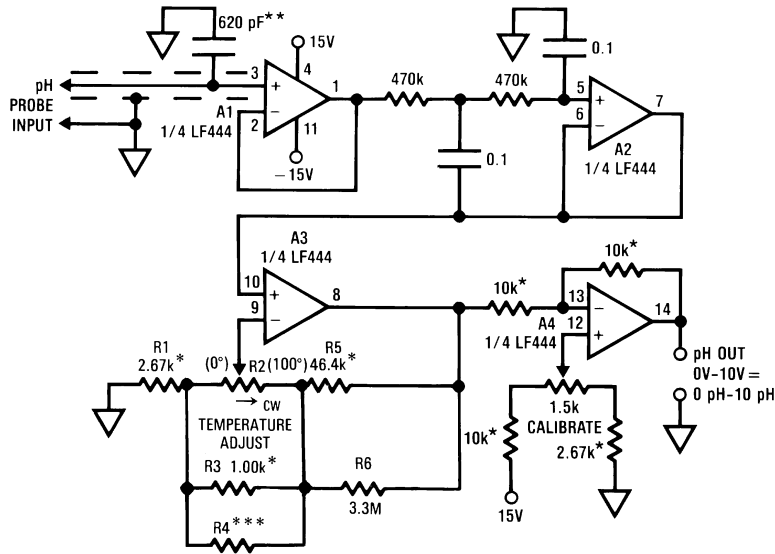
Precautions should be taken to ensure that the power supply for the integrated circuit never becomes reversed in polarity or that the unit is not inadvertently installed backwards in a socket as an unlimited current surge through the resulting forward diode within the IC could cause fusing of the internal conductors and result in a destroyed unit.

As with most amplifiers, care should be taken with lead dress, component placement and supply decoupling in order to ensure stability. For example, resistors from the output to an input should be placed with the body close to the input to minimize "pick-up" and maximize the frequency of the feedback pole by minimizing the capacitance from the input to ground.

A feedback pole is created when the feedback around any amplifier is resistive. The parallel resistance and capacitance from the input of the device (usually the inverting input) to AC ground set the frequency of the pole. In many instances the frequency of this pole is much greater than the expected 3 dB frequency of the closed loop gain and consequently there is negligible effect on stability margin. However, if the feedback pole is less than approximately 6 times the expected 3 dB frequency a lead capacitor should be placed from the output to the input of the op amp. The value of the added capacitor should be such that the RC time constant of this capacitor and the resistance it parallels is greater than or equal to the original feedback pole time constant.

# Typical Application

pH Probe Amplifier/Temperature Compensator



00915610

\*\*\*For R2 = 50k, R4 = 330k ±1%

For R2 = 100k, R4 = 75k ±1%

For R2 = 200k, R4 = 56k ±1%

\*\*Polystyrene

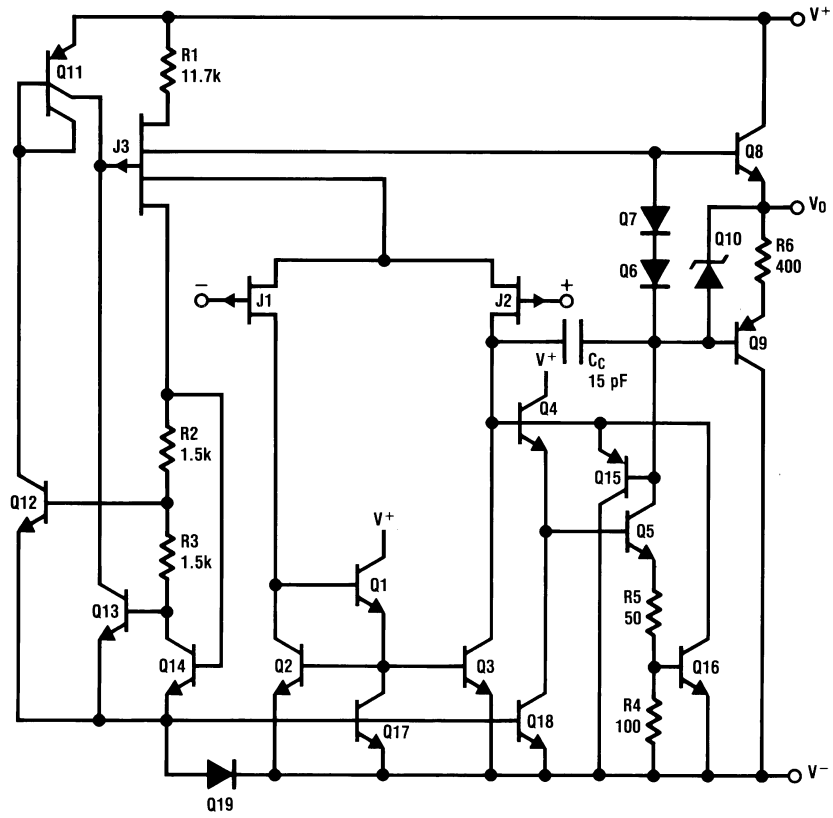
\*Film resistor type RN60C

To calibrate, insert probe in pH =7 solution. Set the "TEMPERATURE ADJUST" pot, R2, to correspond to the solution temperature: full clockwise for 0°C, and proportionately for intermediate temperatures, using a turns-counting dial. Then set "CALIBRATE" pot so output reads 7V.

Typical probe = Ingold Electrodes #465-35

# Detailed Schematic

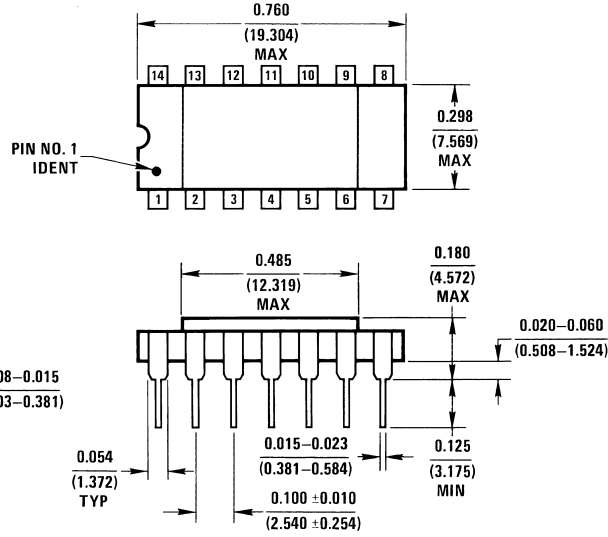
1/4 Quad



00915611

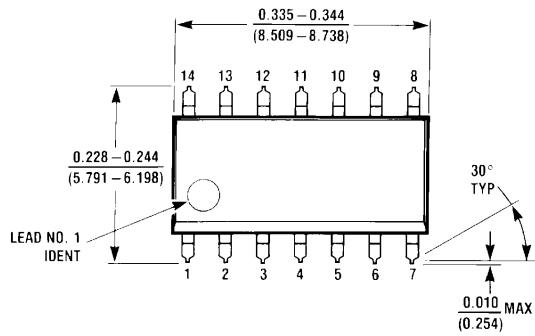
**Physical Dimensions** inches (millimeters)

unless otherwise noted

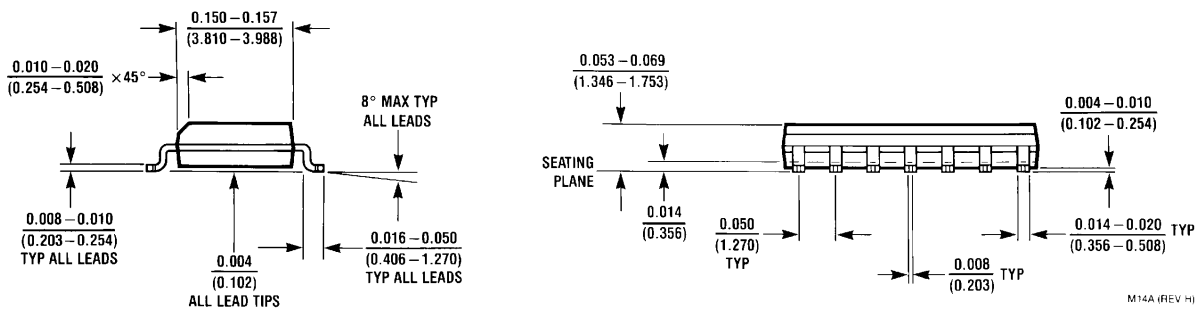


D14E (REV E)

**Order Number LF444MD/883**  
**See NS Package Number D14E**

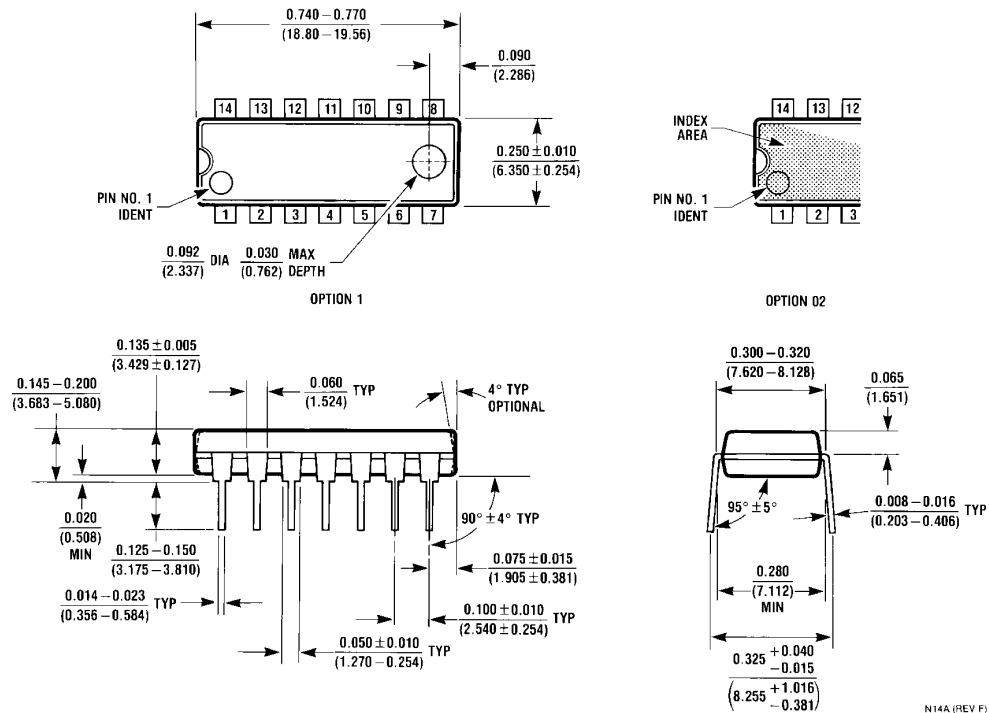


M14A (REV H)



**Order Number LF444CM or LF444CMX**  
**See NS Package Number M14A**

**Physical Dimensions** inches (millimeters) unless otherwise noted (Continued)



**Order Number LF444ACN or LF444CN**  
**See NS Package Number N14A**

N14A (REV F)

**LIFE SUPPORT POLICY**

NATIONAL'S PRODUCTS ARE NOT AUTHORIZED FOR USE AS CRITICAL COMPONENTS IN LIFE SUPPORT DEVICES OR SYSTEMS WITHOUT THE EXPRESS WRITTEN APPROVAL OF THE PRESIDENT AND GENERAL COUNSEL OF NATIONAL SEMICONDUCTOR CORPORATION. As used herein:

1. Life support devices or systems are devices or systems which, (a) are intended for surgical implant into the body, or (b) support or sustain life, and whose failure to perform when properly used in accordance with instructions for use provided in the labeling, can be reasonably expected to result in a significant injury to the user.
2. A critical component is any component of a life support device or system whose failure to perform can be reasonably expected to cause the failure of the life support device or system, or to affect its safety or effectiveness.

**BANNED SUBSTANCE COMPLIANCE**

National Semiconductor certifies that the products and packing materials meet the provisions of the Customer Products Stewardship Specification (CSP-9-111C2) and the Banned Substances and Materials of Interest Specification (CSP-9-111S2) and contain no "Banned Substances" as defined in CSP-9-111S2.



**National Semiconductor**  
**Americas Customer Support Center**  
 Email: new.feedback@nsc.com  
 Tel: 1-800-272-9959

**National Semiconductor**  
**Europe Customer Support Center**  
 Fax: +49 (0) 180-530 85 86  
 Email: europe.support@nsc.com  
 Deutsch Tel: +49 (0) 69 9508 6208  
 English Tel: +44 (0) 870 24 0 2171  
 Français Tel: +33 (0) 1 41 91 8790

**National Semiconductor**  
**Asia Pacific Customer Support Center**  
 Email: ap.support@nsc.com

**National Semiconductor**  
**Japan Customer Support Center**  
 Fax: 81-3-5639-7507  
 Email: jpn.feedback@nsc.com  
 Tel: 81-3-5639-7560

www.national.com

## IMPORTANT NOTICE

Texas Instruments Incorporated and its subsidiaries (TI) reserve the right to make corrections, modifications, enhancements, improvements, and other changes to its products and services at any time and to discontinue any product or service without notice. Customers should obtain the latest relevant information before placing orders and should verify that such information is current and complete. All products are sold subject to TI's terms and conditions of sale supplied at the time of order acknowledgment.

TI warrants performance of its hardware products to the specifications applicable at the time of sale in accordance with TI's standard warranty. Testing and other quality control techniques are used to the extent TI deems necessary to support this warranty. Except where mandated by government requirements, testing of all parameters of each product is not necessarily performed.

TI assumes no liability for applications assistance or customer product design. Customers are responsible for their products and applications using TI components. To minimize the risks associated with customer products and applications, customers should provide adequate design and operating safeguards.

TI does not warrant or represent that any license, either express or implied, is granted under any TI patent right, copyright, mask work right, or other TI intellectual property right relating to any combination, machine, or process in which TI products or services are used. Information published by TI regarding third-party products or services does not constitute a license from TI to use such products or services or a warranty or endorsement thereof. Use of such information may require a license from a third party under the patents or other intellectual property of the third party, or a license from TI under the patents or other intellectual property of TI.

Reproduction of TI information in TI data books or data sheets is permissible only if reproduction is without alteration and is accompanied by all associated warranties, conditions, limitations, and notices. Reproduction of this information with alteration is an unfair and deceptive business practice. TI is not responsible or liable for such altered documentation. Information of third parties may be subject to additional restrictions.

Resale of TI products or services with statements different from or beyond the parameters stated by TI for that product or service voids all express and any implied warranties for the associated TI product or service and is an unfair and deceptive business practice. TI is not responsible or liable for any such statements.

TI products are not authorized for use in safety-critical applications (such as life support) where a failure of the TI product would reasonably be expected to cause severe personal injury or death, unless officers of the parties have executed an agreement specifically governing such use. Buyers represent that they have all necessary expertise in the safety and regulatory ramifications of their applications, and acknowledge and agree that they are solely responsible for all legal, regulatory and safety-related requirements concerning their products and any use of TI products in such safety-critical applications, notwithstanding any applications-related information or support that may be provided by TI. Further, Buyers must fully indemnify TI and its representatives against any damages arising out of the use of TI products in such safety-critical applications.

TI products are neither designed nor intended for use in military/aerospace applications or environments unless the TI products are specifically designated by TI as military-grade or "enhanced plastic." Only products designated by TI as military-grade meet military specifications. Buyers acknowledge and agree that any such use of TI products which TI has not designated as military-grade is solely at the Buyer's risk, and that they are solely responsible for compliance with all legal and regulatory requirements in connection with such use.

TI products are neither designed nor intended for use in automotive applications or environments unless the specific TI products are designated by TI as compliant with ISO/TS 16949 requirements. Buyers acknowledge and agree that, if they use any non-designated products in automotive applications, TI will not be responsible for any failure to meet such requirements.

Following are URLs where you can obtain information on other Texas Instruments products and application solutions:

### Products

|                        |  |
|------------------------|--|
| Audio                  | <a href="http://www.ti.com/audio">www.ti.com/audio</a>                               |
| Amplifiers             | <a href="http://amplifier.ti.com">amplifier.ti.com</a>                               |
| Data Converters        | <a href="http://dataconverter.ti.com">dataconverter.ti.com</a>                       |
| DLP® Products          | <a href="http://www.dlp.com">www.dlp.com</a>   |
| DSP                    | <a href="http://dsp.ti.com">dsp.ti.com</a>   |
| Clocks and Timers      | <a href="http://www.ti.com/clocks">www.ti.com/clocks</a>                             |
| Interface              | <a href="http://interface.ti.com">interface.ti.com</a>                               |
| Logic                  | <a href="http://logic.ti.com">logic.ti.com</a>                                       |
| Power Mgmt             | <a href="http://power.ti.com">power.ti.com</a>                                       |
| Microcontrollers       | <a href="http://microcontroller.ti.com">microcontroller.ti.com</a>                   |
| RFID                   | <a href="http://www.ti-rfid.com">www.ti-rfid.com</a>                                 |
| OMAP Mobile Processors | <a href="http://www.ti.com/omap">www.ti.com/omap</a>                                 |
| Wireless Connectivity  | <a href="http://www.ti.com/wirelessconnectivity">www.ti.com/wirelessconnectivity</a> |

### Applications

|                               |  |
|-------------------------------|--|
| Communications and Telecom    | <a href="http://www.ti.com/communications">www.ti.com/communications</a>                 |
| Computers and Peripherals     | <a href="http://www.ti.com/computers">www.ti.com/computers</a>                           |
| Consumer Electronics          | <a href="http://www.ti.com/consumer-apps">www.ti.com/consumer-apps</a>                   |
| Energy and Lighting           | <a href="http://www.ti.com/energy">www.ti.com/energy</a>                                 |
| Industrial                    | <a href="http://www.ti.com/industrial">www.ti.com/industrial</a>                         |
| Medical                       | <a href="http://www.ti.com/medical">www.ti.com/medical</a>                               |
| Security                      | <a href="http://www.ti.com/security">www.ti.com/security</a>                             |
| Space, Avionics and Defense   | <a href="http://www.ti.com/space-avionics-defense">www.ti.com/space-avionics-defense</a> |
| Transportation and Automotive | <a href="http://www.ti.com/automotive">www.ti.com/automotive</a>                         |
| Video and Imaging             | <a href="http://www.ti.com/video">www.ti.com/video</a>                                   |

TI E2E Community Home Page

[e2e.ti.com](http://e2e.ti.com)

Mailing Address: Texas Instruments, Post Office Box 655303, Dallas, Texas 75265  
Copyright © 2011, Texas Instruments Incorporated