

LM2907,LM2917

LM2907/LM2917 Frequency to Voltage Converter



Literature Number: SNAS555B

LM2907/LM2917

Frequency to Voltage Converter

General Description

The LM2907, LM2917 series are monolithic frequency to voltage converters with a high gain op amp/comparator designed to operate a relay, lamp, or other load when the input frequency reaches or exceeds a selected rate. The tachometer uses a charge pump technique and offers frequency doubling for low ripple, full input protection in two versions (LM2907-8, LM2917-8) and its output swings to ground for a zero frequency input.

The op amp/comparator is fully compatible with the tachometer and has a floating transistor as its output. This feature allows either a ground or supply referred load of up to 50 mA. The collector may be taken above V_{CC} up to a maximum V_{CE} of 28V.

The two basic configurations offered include an 8-pin device with a *ground referenced tachometer* input and an internal connection between the tachometer output and the op amp non-inverting input. This version is well suited for single speed or frequency switching or fully buffered frequency to voltage conversion applications.

The more versatile configurations provide differential tachometer input and uncommitted op amp inputs. With this version the tachometer input may be floated and the op amp becomes suitable for active filter conditioning of the tachometer output.

Both of these configurations are available with an active shunt regulator connected across the power leads. The regulator clamps the supply such that stable frequency to voltage and frequency to current operations are possible with any supply voltage and a suitable resistor.

Advantages

- Output swings to ground for zero frequency input
- Easy to use; $V_{OUT} = f_{IN} \times V_{CC} \times R1 \times C1$

- Only one RC network provides frequency doubling
- Zener regulator on chip allows accurate and stable frequency to voltage or current conversion (LM2917)

Features

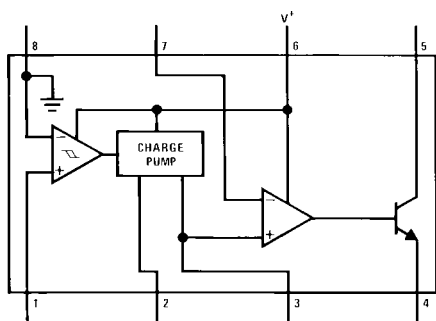
- Ground referenced tachometer input interfaces directly with variable reluctance magnetic pickups
- Op amp/comparator has floating transistor output
- 50 mA sink or source to operate relays, solenoids, meters, or LEDs
- Frequency doubling for low ripple
- Tachometer has built-in hysteresis with either differential input or ground referenced input
- Built-in zener on LM2917
- $\pm 0.3\%$ linearity typical
- Ground referenced tachometer is fully protected from damage due to swings above V_{CC} and below ground

Applications

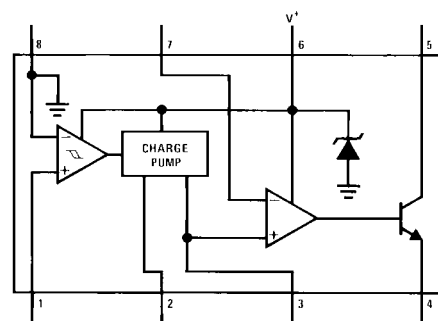
- Over/under speed sensing
- Frequency to voltage conversion (tachometer)
- Speedometers
- Breaker point dwell meters
- Hand-held tachometer
- Speed governors
- Cruise control
- Automotive door lock control
- Clutch control
- Horn control
- Touch or sound switches

Connection Diagrams

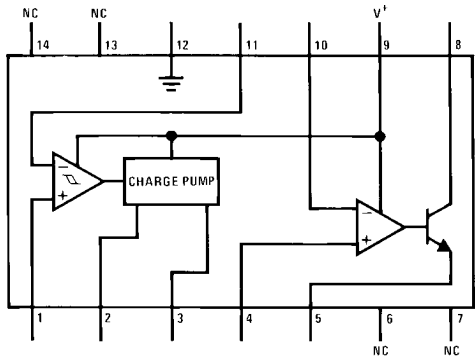
Dual-In-Line and Small Outline Packages, Top Views



Order Number **LM2907M-8** or **LM2907N-8**
See NS Package Number **M08A** or **N08E**

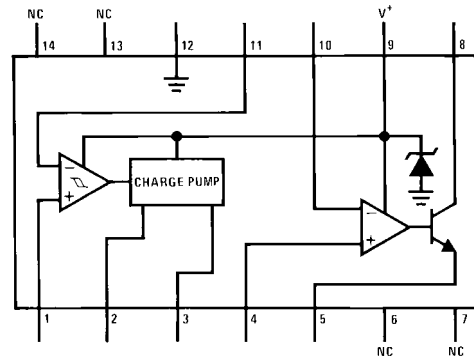


Order Number **LM2917M-8** or **LM2917N-8**
See NS Package Number **M08A** or **N08E**



Order Number LM2907M or LM2907N
See NS Package Number M14A or N14A

794203



Order Number LM2917M or LM2917N
See NS Package Number M14A or N14A

794204

Ordering Information

| Order Number | Package Type | Package Number | Package Marking | Supplied As |
|--------------|--------------------|----------------|-----------------|--------------|
| LM2907M-8 | 8-Pin SOIC Narrow | M08A | LM2907M-8 | Rail of 95 |
| LM2907MX-8 | 8-Pin SOIC Narrow | M08A | LM2907M-8 | Reel of 2500 |
| LM2907M | 14-Pin SOIC Narrow | M14A | LM2907M | Rail of 55 |
| LM2907MX | 14-Pin SOIC Narrow | M14A | LM2907M | Reel of 2500 |
| LM2907N-8 | 8-Pin Molded DIP | N08E | LM2907N-8 | Rail of 40 |
| LM2907N | 14-Pin Molded DIP | N14A | LM2907N | Rail of 25 |
| LM2917M-8 | 8-Pin SOIC Narrow | M08A | LM2917M-8 | Rail of 95 |
| LM2917MX-8 | 8-Pin SOIC Narrow | M08A | LM2917M-8 | Reel of 2500 |
| LM2917M | 14-Pin SOIC Narrow | M14A | LM2917M | Rail of 55 |
| LM2917MX | 14-Pin SOIC Narrow | M14A | LM2917M | Reel of 2500 |
| LM2917N-8 | 8-Pin Molded DIP | N08E | LM2917N-8 | Rail of 40 |
| LM2917N | 14-Pin Molded DIP | N14A | LM2917N | Rail of 25 |

Absolute Maximum Ratings (Note 1)

If Military/Aerospace specified devices are required, please contact the National Semiconductor Sales Office/Distributors for availability and specifications.

| | | | |
|--------------------------------|--------------|-----------------------------|-----------------|
| Supply Voltage | 28V | Op Amp/Comparator | 0.0V to +28V |
| Supply Current (Zener Options) | 25 mA | Power Dissipation | |
| Collector Voltage | 28V | LM2907-8, LM2917-8 | 1200 mW |
| Differential Input Voltage | | LM2907-14, LM2917-14 | 1580 mW |
| Tachometer | 28V | See (Note 1) | |
| Op Amp/Comparator | 28V | Operating Temperature Range | -40°C to +85°C |
| Input Voltage Range | | Storage Temperature Range | -65°C to +150°C |
| Tachometer | | Soldering Information | |
| LM2907-8, LM2917-8 | ±28V | Dual-In-Line Package | |
| LM2907, LM2917 | 0.0V to +28V | Soldering (10 seconds) | 260°C |
| | | Small Outline Package | |
| | | Vapor Phase (60 seconds) | 215°C |
| | | Infrared (15 seconds) | 220°C |

Electrical Characteristics

$V_{CC} = 12 V_{DC}$, $T_A = 25^\circ C$, see test circuit

| Symbol | Parameter | Conditions | Min | Typ | Max | Units |
|--------------------------|---------------------------|--|------|------|-----------------|-------|
| TACHOMETER | | | | | | |
| | Input Thresholds | $V_{IN} = 250 \text{ mVp-p @ 1 kHz}$ (Note 2) | ±10 | ±25 | ±40 | mV |
| | Hysteresis | $V_{IN} = 250 \text{ mVp-p @ 1 kHz}$ (Note 2) | | 30 | | mV |
| | Offset Voltage | $V_{IN} = 250 \text{ mVp-p @ 1 kHz}$ (Note 2) | | | | |
| | LM2907/LM2917 | | | 3.5 | 10 | mV |
| | LM2907-8/LM2917-8 | | | 5 | 15 | mV |
| | Input Bias Current | $V_{IN} = \pm 50 \text{ mV}_{DC}$ | | 0.1 | 1 | µA |
| V_{OH} | Pin 2 | $V_{IN} = +125 \text{ mV}_{DC}$ (Note 3) | | 8.3 | | V |
| V_{OL} | Pin 2 | $V_{IN} = -125 \text{ mV}_{DC}$ (Note 3) | | 2.3 | | V |
| I_2, I_3 | Output Current | $V_2 = V_3 = 6.0V$ (Note 4) | 140 | 180 | 240 | µA |
| I_3 | Leakage Current | $I_2 = 0, V_3 = 0$ | | | 0.1 | µA |
| K | Gain Constant | (Note 3) | 0.9 | 1.0 | 1.1 | |
| | Linearity | $f_{IN} = 1 \text{ kHz}, 5 \text{ kHz}, 10 \text{ kHz}$ (Note 5) | -1.0 | 0.3 | +1.0 | % |
| OP/AMP COMPARATOR | | | | | | |
| V_{OS} | | $V_{IN} = 6.0V$ | | 3 | 10 | mV |
| I_{BIAS} | | $V_{IN} = 6.0V$ | | 50 | 500 | nA |
| | Input Common-Mode Voltage | | 0 | | $V_{CC} - 1.5V$ | V |
| | Voltage Gain | | | 200 | | V/mV |
| | Output Sink Current | $V_C = 1.0$ | 40 | 50 | | mA |
| | Output Source Current | $V_E = V_{CC} - 2.0$ | | 10 | | mA |
| | Saturation Voltage | $I_{SINK} = 5 \text{ mA}$ | | 0.1 | 0.5 | V |
| | | $I_{SINK} = 20 \text{ mA}$ | | | 1.0 | V |
| | | $I_{SINK} = 50 \text{ mA}$ | | 1.0 | 1.5 | V |
| ZENER REGULATOR | | | | | | |
| | Regulator Voltage | $R_{DROP} = 470\Omega$ | | 7.56 | | V |
| | Series Resistance | | | 10.5 | 15 | Ω |
| | Temperature Stability | | | +1 | | mV/°C |
| | Total Supply Current | | | 3.8 | 6 | mA |

Note 1: For operation in ambient temperatures above 25°C, the device must be derated based on a 150°C maximum junction temperature and a thermal resistance of 101°C/W junction to ambient for LM2907-8 and LM2917-8, and 79°C/W junction to ambient for LM2907-14 and LM2917-14.

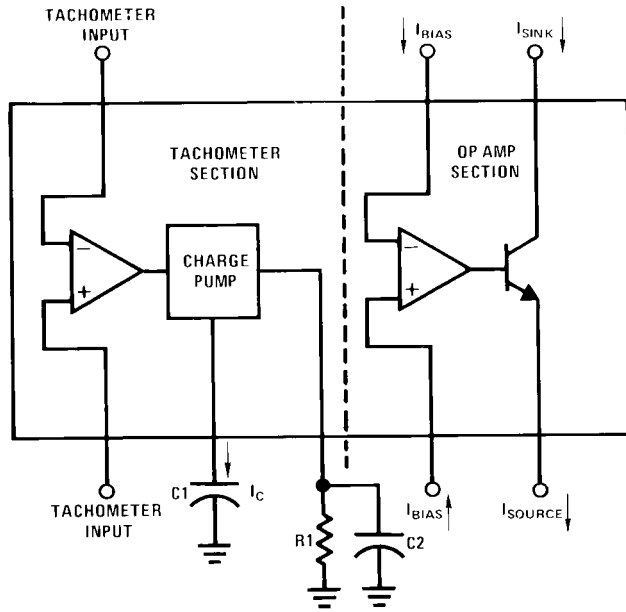
Note 2: Hysteresis is the sum $+V_{TH} - (-V_{TH})$, offset voltage is their difference. See test circuit.

Note 3: V_{OH} is equal to $\frac{3}{4} \times V_{CC} - 1 V_{BE}$, V_{OL} is equal to $\frac{3}{4} \times V_{CC} - 1 V_{BE}$ therefore $V_{OH} - V_{OL} = V_{CC}/2$. The difference, $V_{OH} - V_{OL}$, and the mirror gain, I_2/I_3 , are the two factors that cause the tachometer gain constant to vary from 1.0.

Note 4: Be sure when choosing the time constant $R1 \times C1$ that $R1$ is such that the maximum anticipated output voltage at pin 3 can be reached with $I_3 \times R1$. The maximum value for $R1$ is limited by the output resistance of pin 3 which is greater than 10 MΩ typically.

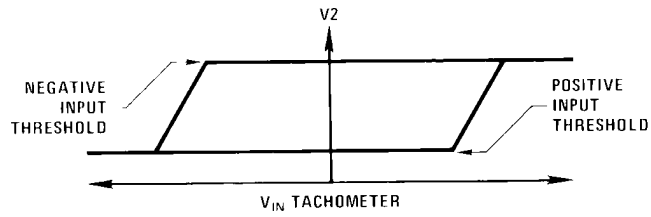
Note 5: Nonlinearity is defined as the deviation of V_{OUT} (@ pin 3) for $f_{IN} = 5$ kHz from a straight line defined by the V_{OUT} @ 1 kHz and V_{OUT} @ 10 kHz. $C1 = 1000$ pF, $R1 = 68k$ and $C2 = 0.22$ mFd.

Test Circuit and Waveform



794206

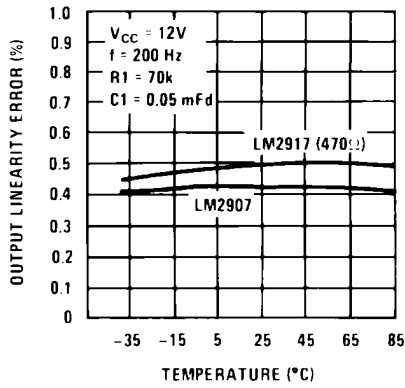
Tachometer Input Threshold Measurement



794207

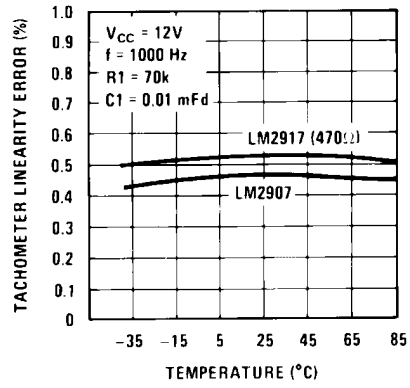
Typical Performance Characteristics

Tachometer Linearity vs Temperature



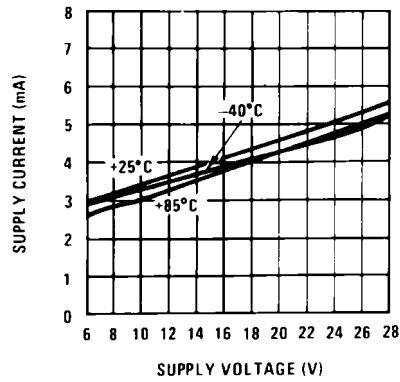
794246

Tachometer Linearity vs Temperature



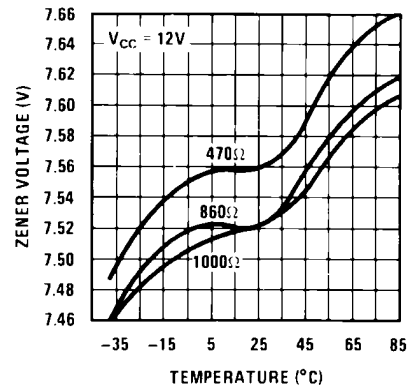
794247

Total Supply Current



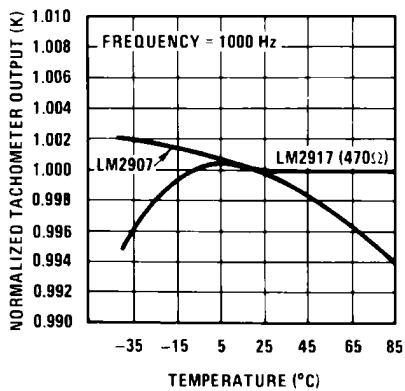
794240

Zener Voltage vs Temperature



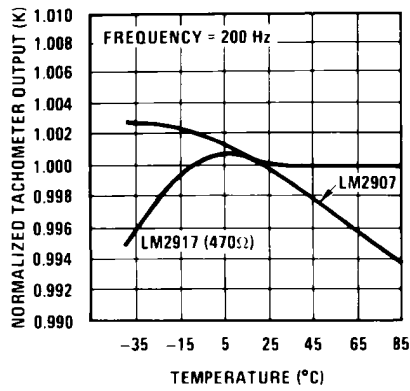
794241

Normalized Tachometer Output (K) vs Temperature



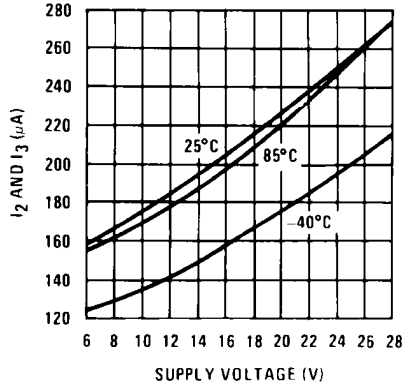
794242

Normalized Tachometer Output (K) vs Temperature



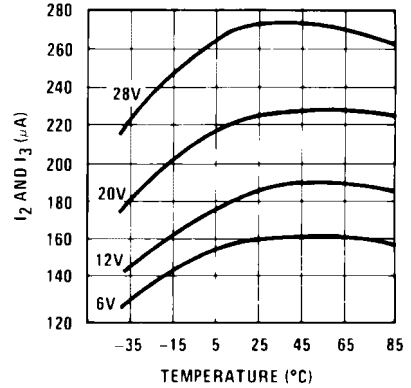
794243

Tachometer Currents I_2 and I_3 vs Supply Voltage



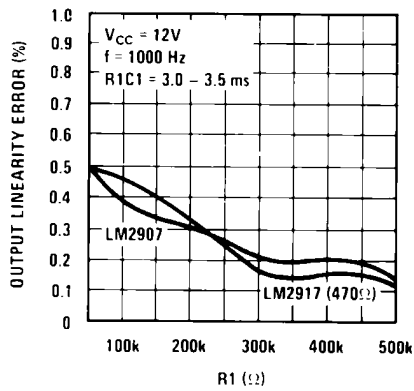
794244

Tachometer Currents I_2 and I_3 vs Temperature



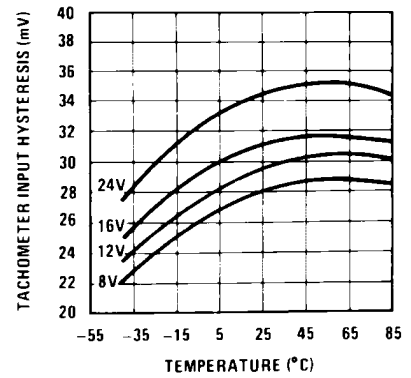
794245

Tachometer Linearity vs R1



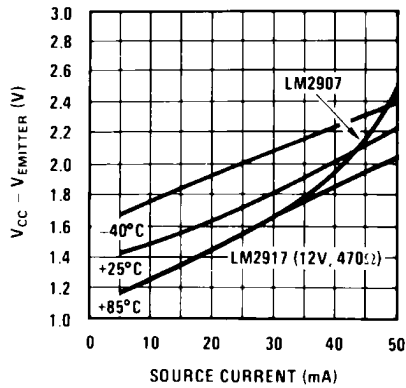
794248

Tachometer Input Hysteresis vs Temperature



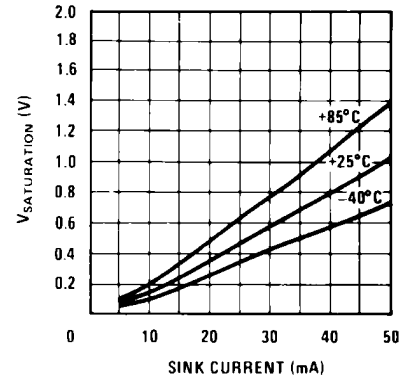
794249

Op Amp Output Transistor Characteristics



794250

Op Amp Output Transistor Characteristics



794251

Applications Information

The LM2907 series of tachometer circuits is designed for minimum external part count applications and maximum versatility. In order to fully exploit its features and advantages let's examine its theory of operation. The first stage of operation is a differential amplifier driving a positive feedback flip-flop circuit. The input threshold voltage is the amount of differential input voltage at which the output of this stage changes state. Two options (LM2907-8, LM2917-8) have one input internally grounded so that an input signal must swing above and below ground and exceed the input thresholds to produce an output. This is offered specifically for magnetic variable reluctance pickups which typically provide a single-ended ac output. This single input is also fully protected against voltage swings to $\pm 28V$, which are easily attained with these types of pickups.

The differential input options (LM2907, LM2917) give the user the option of setting his own input switching level and still have the hysteresis around that level for excellent noise rejection in any application. Of course in order to allow the inputs to attain common-mode voltages above ground, input protection is removed and neither input should be taken outside the limits of the supply voltage being used. It is very important that an input not go below ground without some resistance in its lead to limit the current that will then flow in the epi-substrate diode.

Following the input stage is the charge pump where the input frequency is converted to a dc voltage. To do this requires one timing capacitor, one output resistor, and an integrating or filter capacitor. When the input stage changes state (due to a suitable zero crossing or differential voltage on the input) the timing capacitor is either charged or discharged linearly between two voltages whose difference is $V_{CC}/2$. Then in one half cycle of the input frequency or a time equal to $1/2 f_{IN}$ the change in charge on the timing capacitor is equal to $V_{CC}/2 \times C1$. The average amount of current pumped into or out of the capacitor then is:

$$\frac{\Delta Q}{T} = i_{c(AVG)} = C1 \times \frac{V_{CC}}{2} \times (2f_{IN}) = V_{CC} \times f_{IN} \times C1$$

The output circuit mirrors this current very accurately into the load resistor R1, connected to ground, such that if the pulses of current are integrated with a filter capacitor, then $V_O = i_c \times R1$, and the total conversion equation becomes:

$$V_O = V_{CC} \times f_{IN} \times C1 \times R1 \times K$$

Where K is the gain constant—typically 1.0.

The size of C2 is dependent only on the amount of ripple voltage allowable and the required response time.

CHOOSING R1 AND C1

There are some limitations on the choice of R1 and C1 which should be considered for optimum performance. The timing capacitor also provides internal compensation for the charge pump and should be kept larger than 500 pF for very accurate operation. Smaller values can cause an error current on R1, especially at low temperatures. Several considerations must be met when choosing R1. The output current at pin 3 is internally fixed and therefore $V_O/R1$ must be less than or equal to this value. If R1 is too large, it can become a significant fraction of the output impedance at pin 3 which degrades linearity. Also output ripple voltage must be considered and the size of C2 is affected by R1. An expression that describes the ripple content on pin 3 for a single R1C2 combination is:

$$V_{RIPPLE} = \frac{V_{CC}}{2} \times \frac{C1}{C2} \times \left(1 - \frac{V_{CC} \times f_{IN} \times C1}{I_2}\right) \text{ pk-pk}$$

It appears R1 can be chosen independent of ripple, however response time, or the time it takes V_{OUT} to stabilize at a new voltage increases as the size of C2 increases, so a compromise between ripple, response time, and linearity must be chosen carefully.

As a final consideration, the maximum attainable input frequency is determined by V_{CC} , C1 and I_2 :

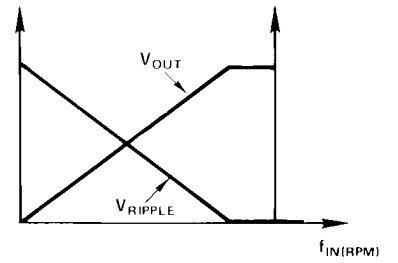
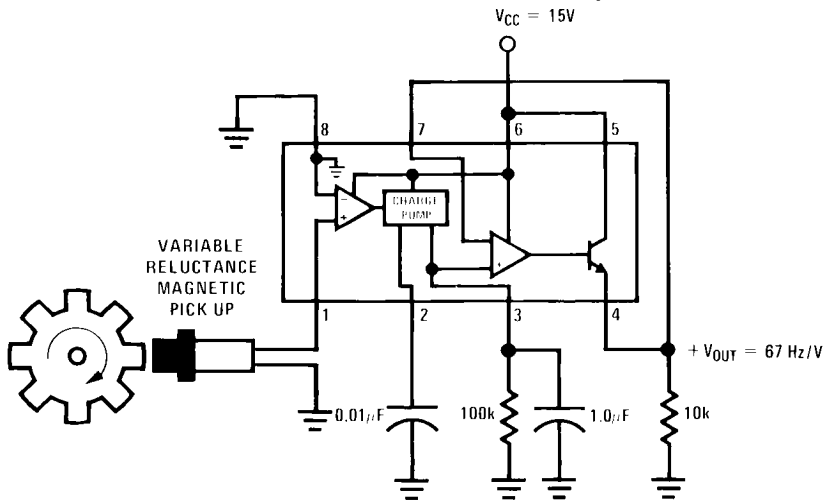
$$f_{MAX} = \frac{I_2}{C1 \times V_{CC}}$$

USING ZENER REGULATED OPTIONS (LM2917)

For those applications where an output voltage or current must be obtained independent of supply voltage variations, the LM2917 is offered. The most important consideration in choosing a dropping resistor from the unregulated supply to the device is that the tachometer and op amp circuitry alone require about 3 mA at the voltage level provided by the zener. At low supply voltages there must be some current flowing in the resistor above the 3 mA circuit current to operate the regulator. As an example, if the raw supply varies from 9V to 16V, a resistance of 470 Ω will minimize the zener voltage variation to 160 mV. If the resistance goes under 400 Ω or over 600 Ω the zener variation quickly rises above 200 mV for the same input variation.

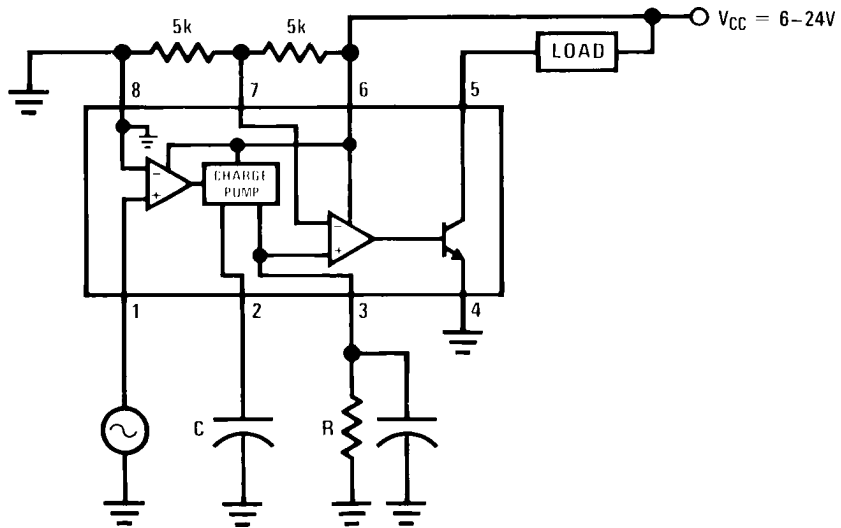
Typical Applications

Minimum Component Tachometer



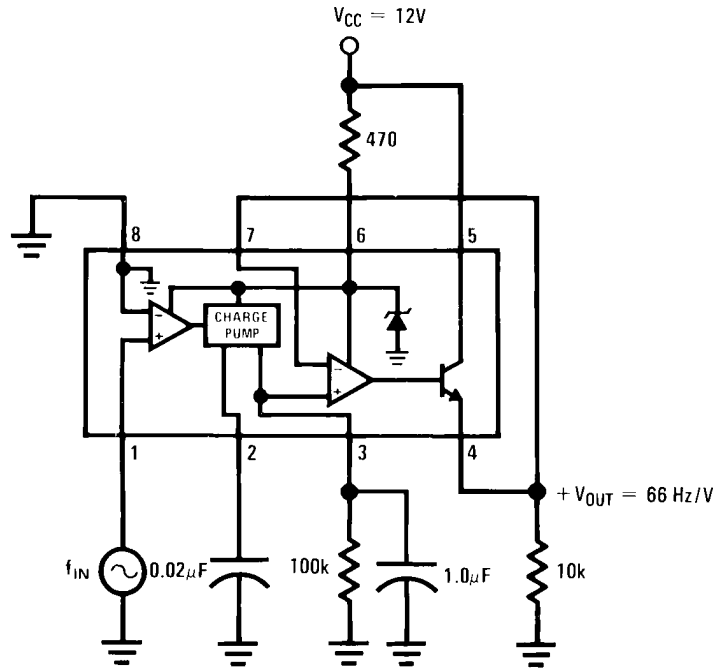
794208

"Speed Switch", Load is Energized when $f_{IN} \geq (1 / (2RC))$



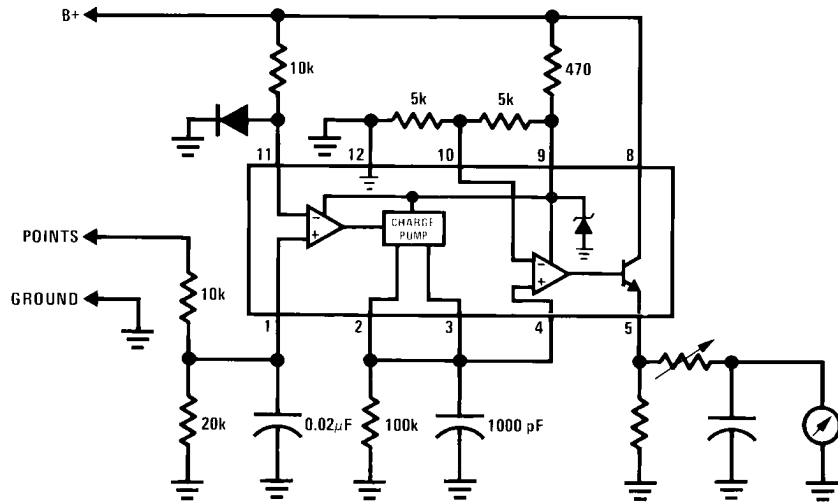
794209

Zener Regulated Frequency to Voltage Converter



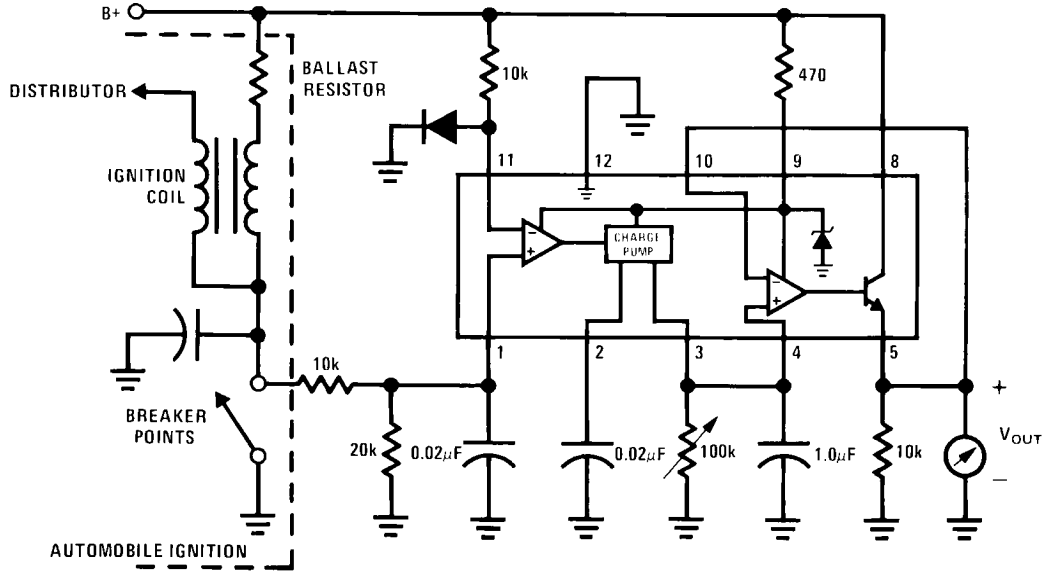
794210

Breaker Point Dwell Meter



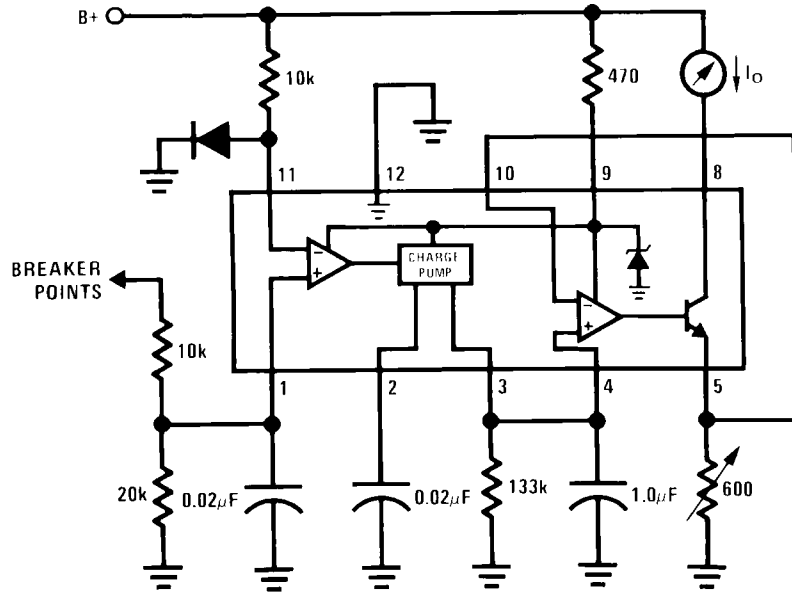
794211

Voltage Driven Meter Indicating Engine RPM
 $V_o = 6V @ 400 \text{ Hz or } 6000 \text{ ERPM (8 Cylinder Engine)}$



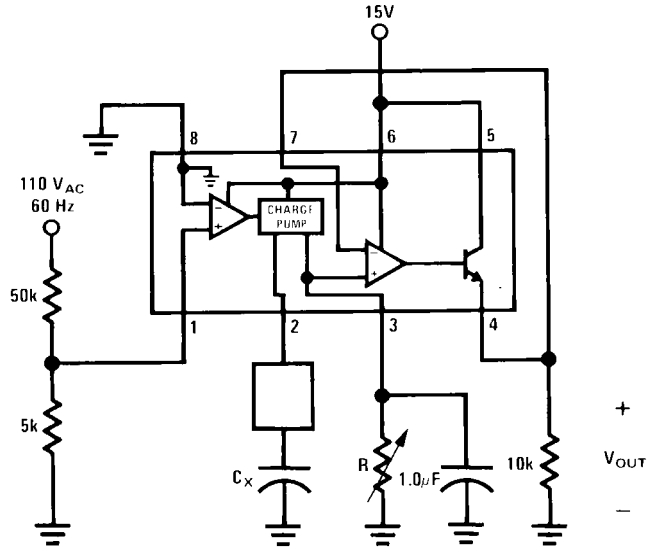
794212

Current Driven Meter Indicating Engine RPM
 $I_o = 10 \text{ mA @ } 300 \text{ Hz or } 6000 \text{ ERPM (6 Cylinder Engine)}$



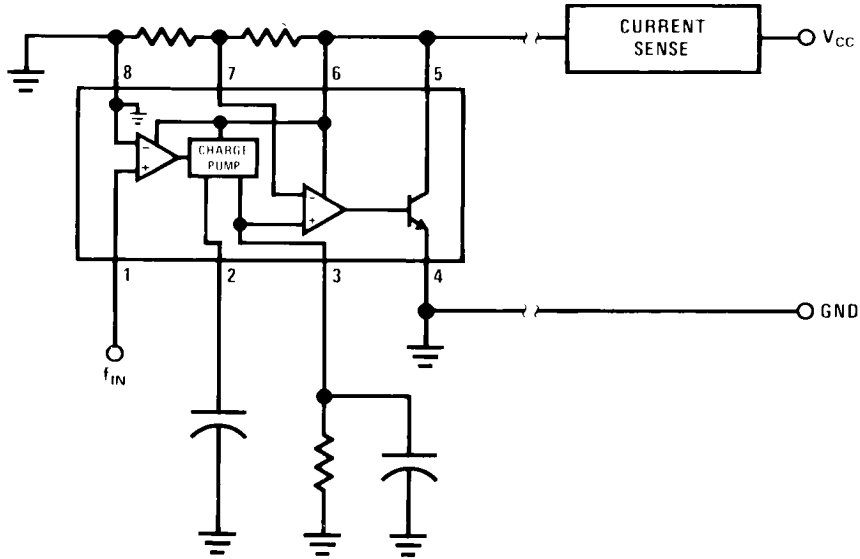
794213

Capacitance Meter
 $V_{OUT} = 1V-10V$ for $C_X = 0.01$ to 0.1 mFd
 (R = 111k)



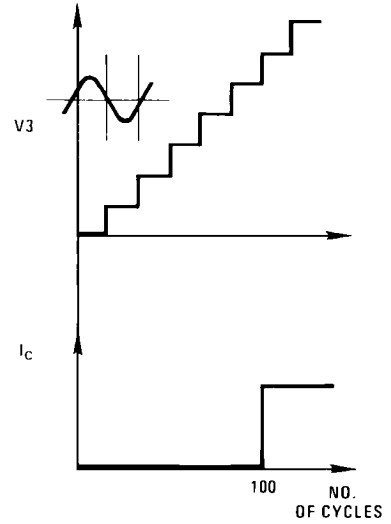
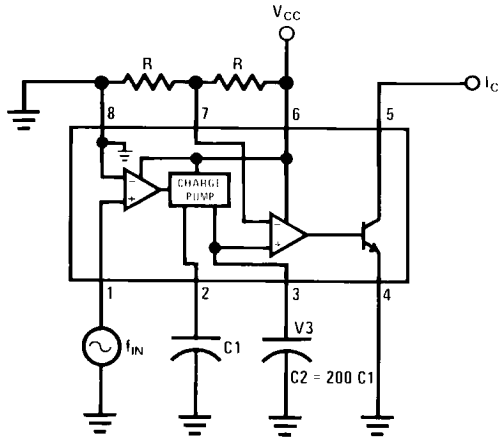
794214

Two-Wire Remote Speed Switch



794215

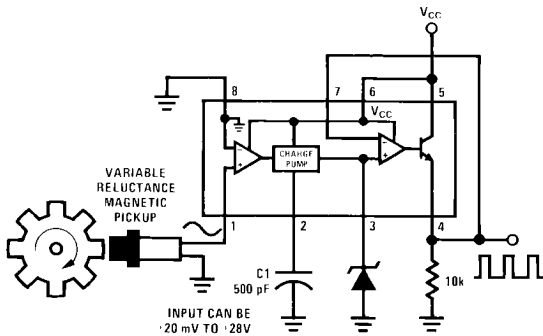
100 Cycle Delay Switch



794216

V_3 steps up in voltage by the amount $\frac{V_{CC} \times C_1}{C_2}$
 for each complete input cycle (2 zero crossings)
 Example:
 if $C_2 = 200 C_1$ after 100 consecutive input cycles,
 $V_3 = 1/2 V_{CC}$

Variable Reluctance Magnetic Pickup Buffer Circuits

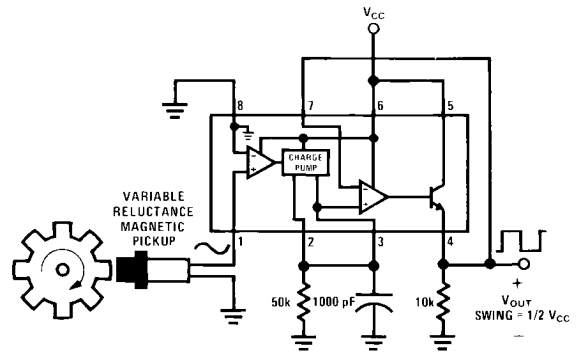


794239

Precision two-shot output frequency equals twice input frequency.

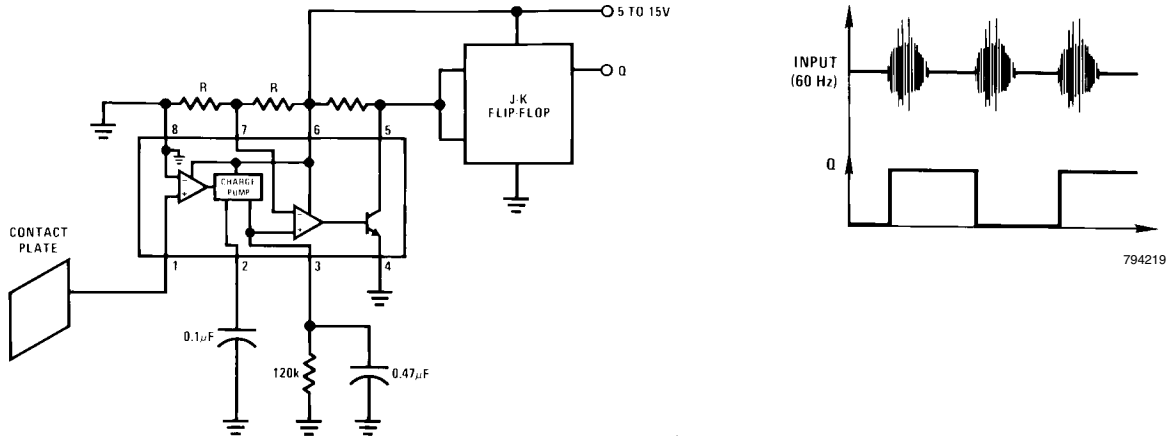
$$\text{Pulse width} = \frac{V_{CC} C_1}{2 I_2}$$

Pulse height = V_{ZENER}



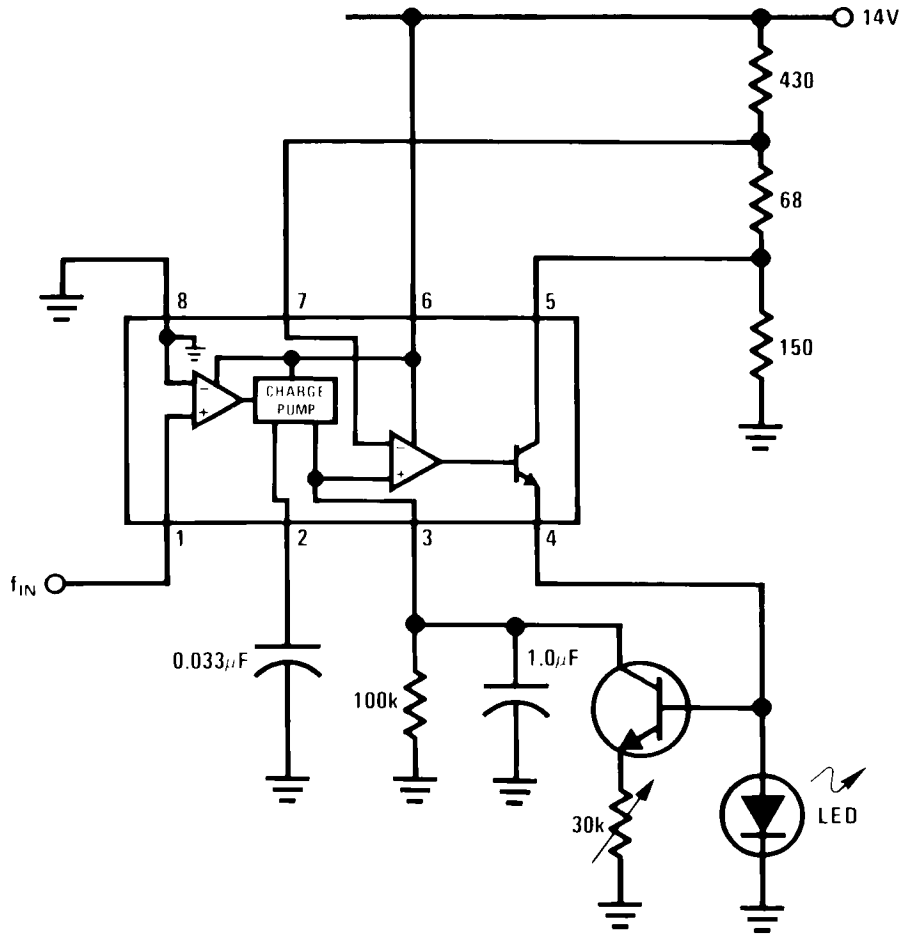
794217

Finger Touch or Contact Switch



794218

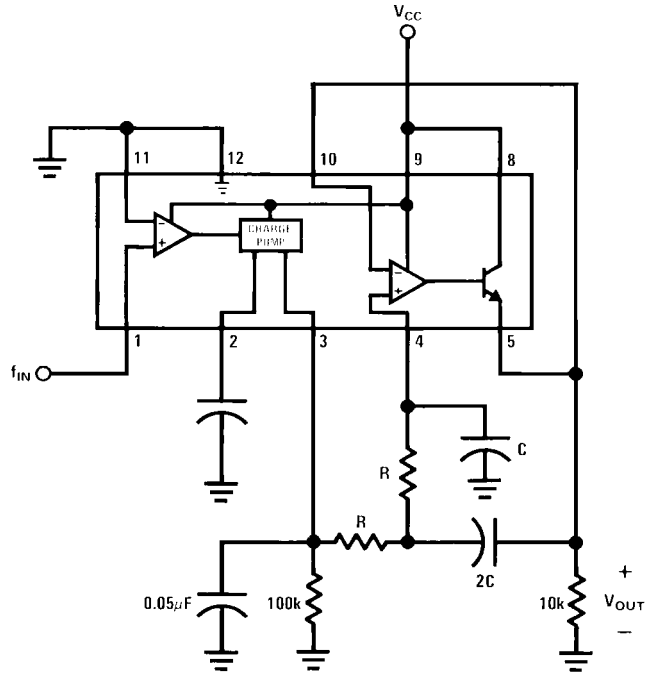
Flashing LED Indicates Overspeed



794220

Flashing begins when $f_{IN} \geq 100$ Hz.
Flash rate increases with input frequency increase beyond trip point.

Frequency to Voltage Converter with 2 Pole Butterworth Filter to Reduce Ripple

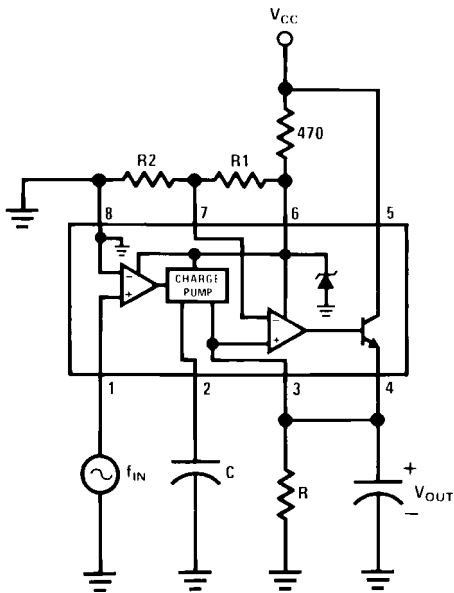


794221

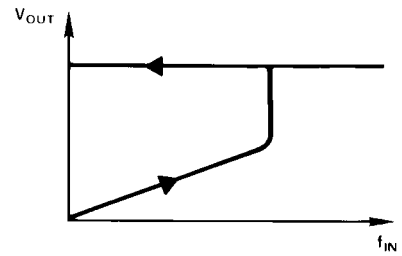
$$f_{POLE} = \frac{0.707}{2\pi RC}$$

$$\tau_{RESPONSE} = \frac{2.57}{2\pi f_{POLE}}$$

Overspeed Latch



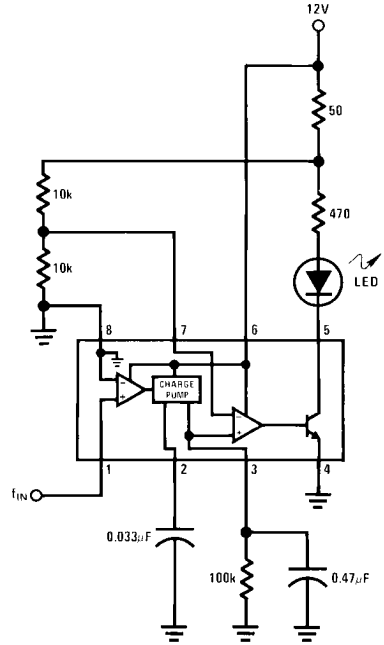
794222



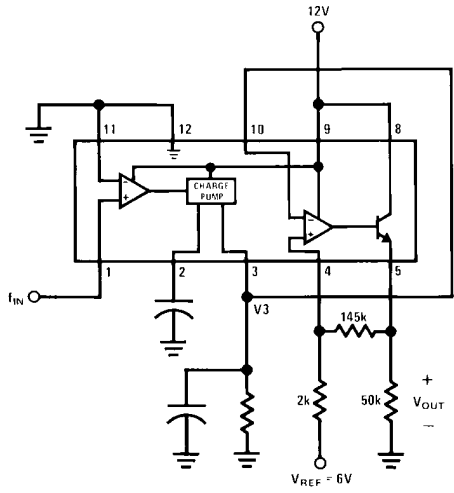
794223

Output latches when
 $f_{IN} = \frac{R2}{R1 + R2} \frac{1}{RC}$
 Reset by removing V_{CC} .

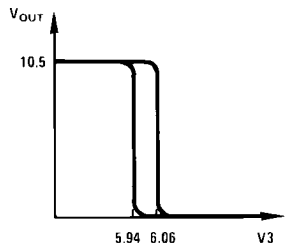
Some Frequency Switch Applications May Require Hysteresis in the Comparator Function Which can be Implemented in Several Ways



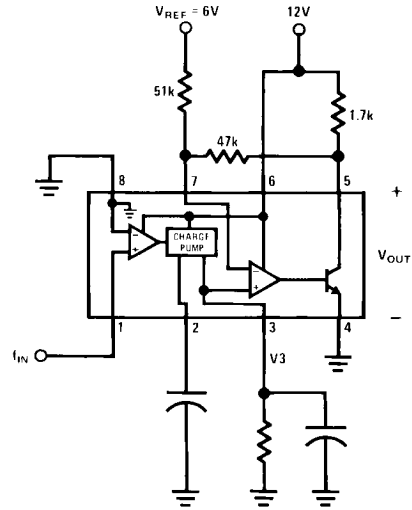
794224



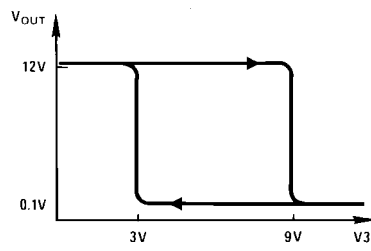
794225



794227

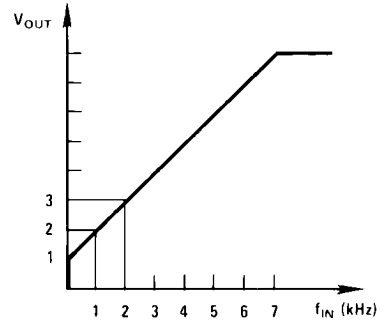
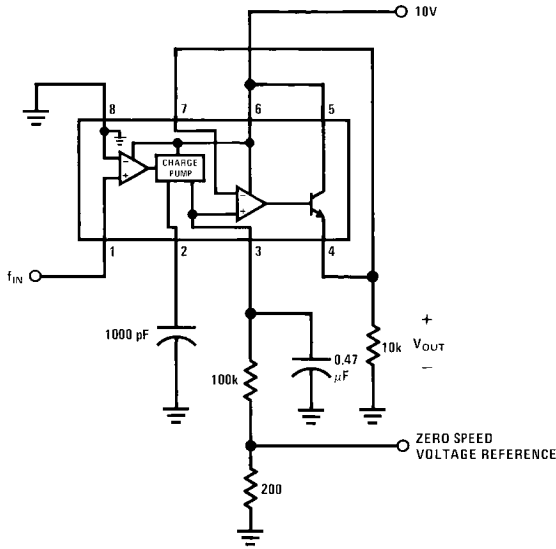


794226



794228

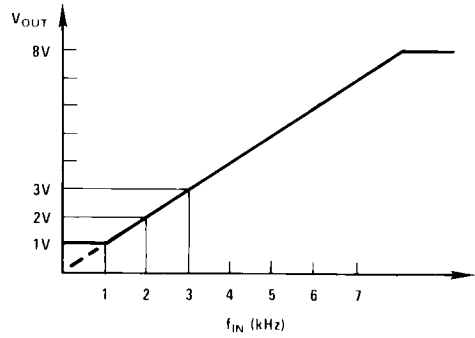
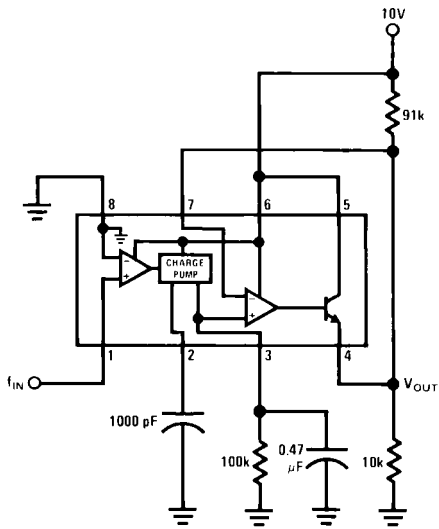
Changing the Output Voltage for an Input Frequency of Zero



794230

794229

Changing Tachometer Gain Curve or Clamping the Minimum Output Voltage

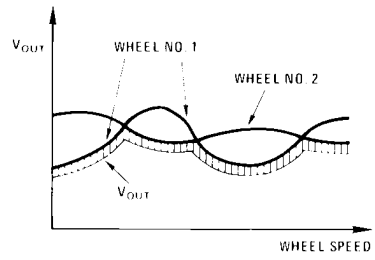
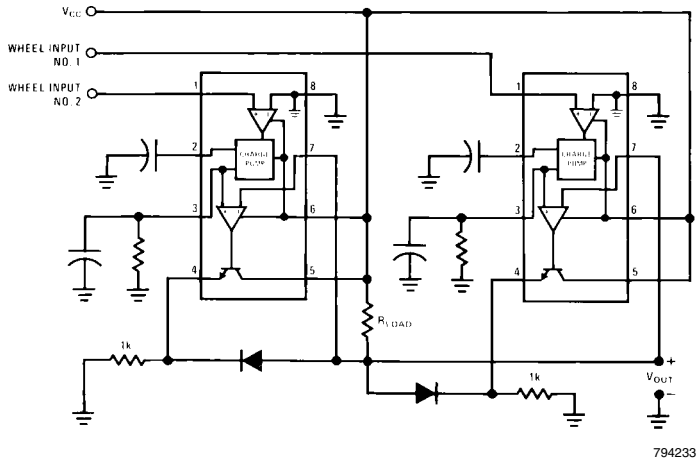


794232

794231

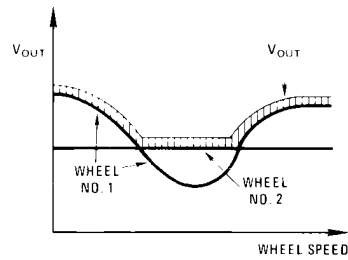
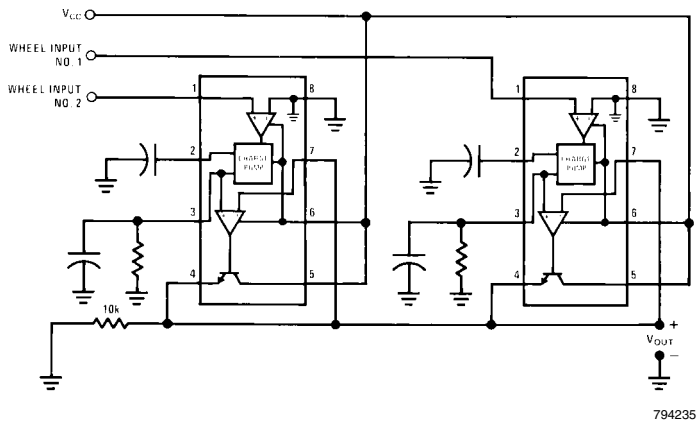
Anti-Skid Circuit Functions

"Select-Low" Circuit



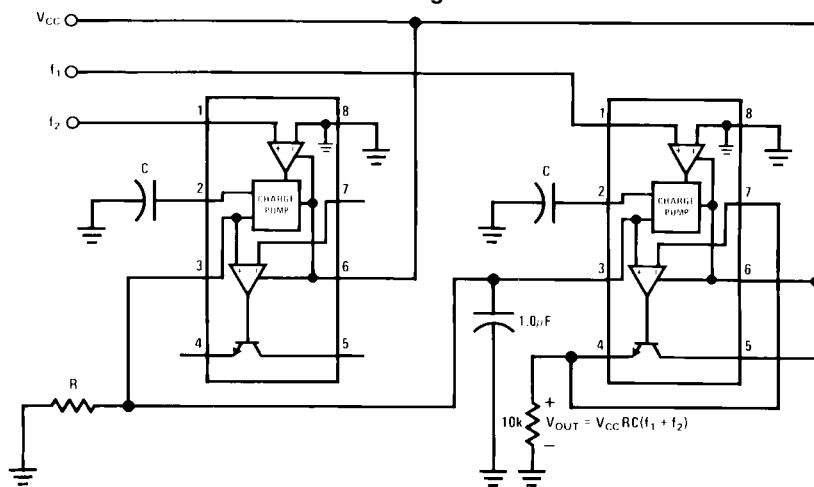
V_{OUT} is proportional to the lower of the two input wheel speeds.

"Select-High" Circuit

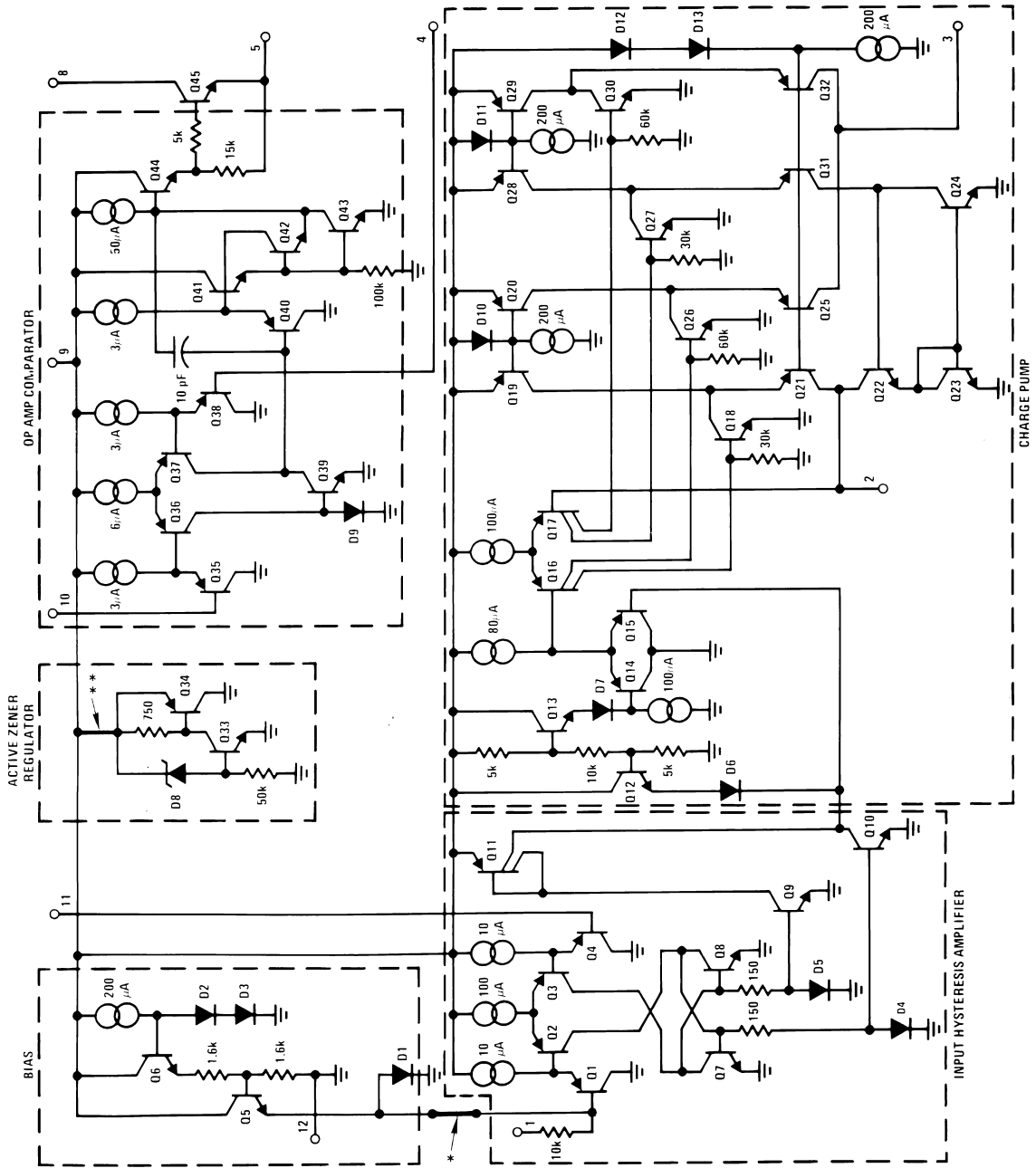


V_{OUT} is proportional to the higher of the two input wheel speeds.

"Select-Average" Circuit



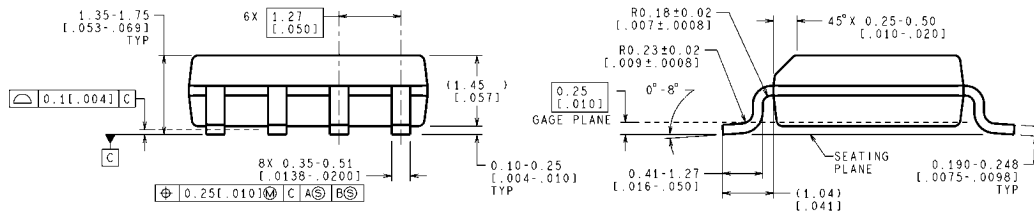
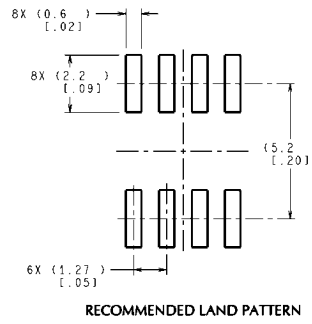
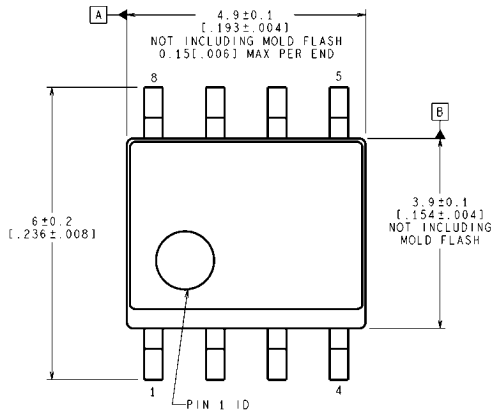
Equivalent Schematic Diagram



794238

*This connection made on LM2907-8 and LM2917-8 only.
 **This connection made on LM2917 and LM2917-8 only.

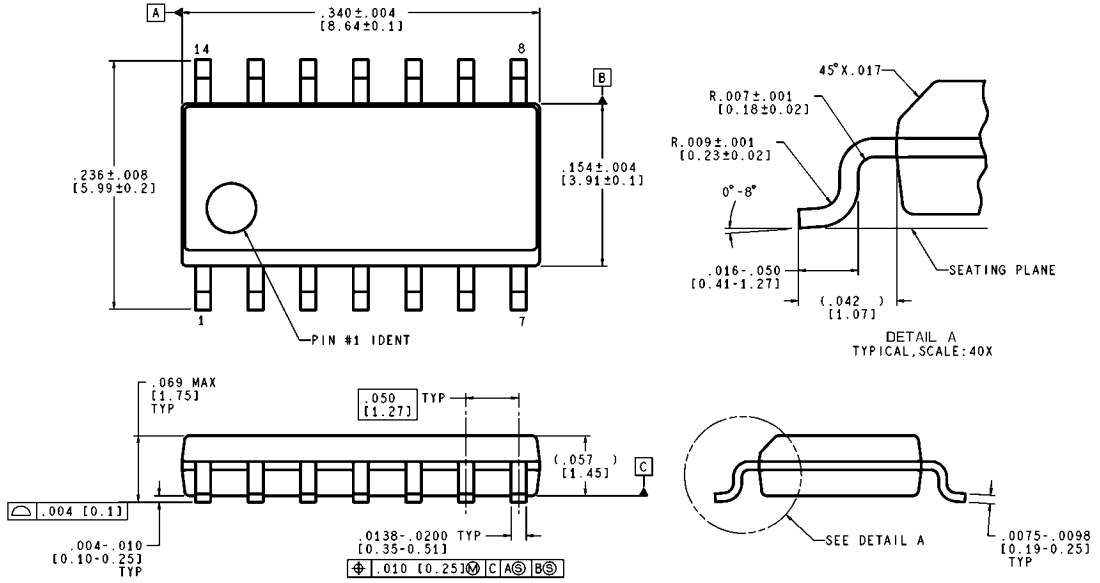
Physical Dimensions inches (millimeters) unless otherwise noted



CONTROLLING DIMENSION IS MILLIMETER
VALUES IN [] ARE INCHES
DIMENSIONS IN () FOR REFERENCE ONLY

M08A (Rev L)

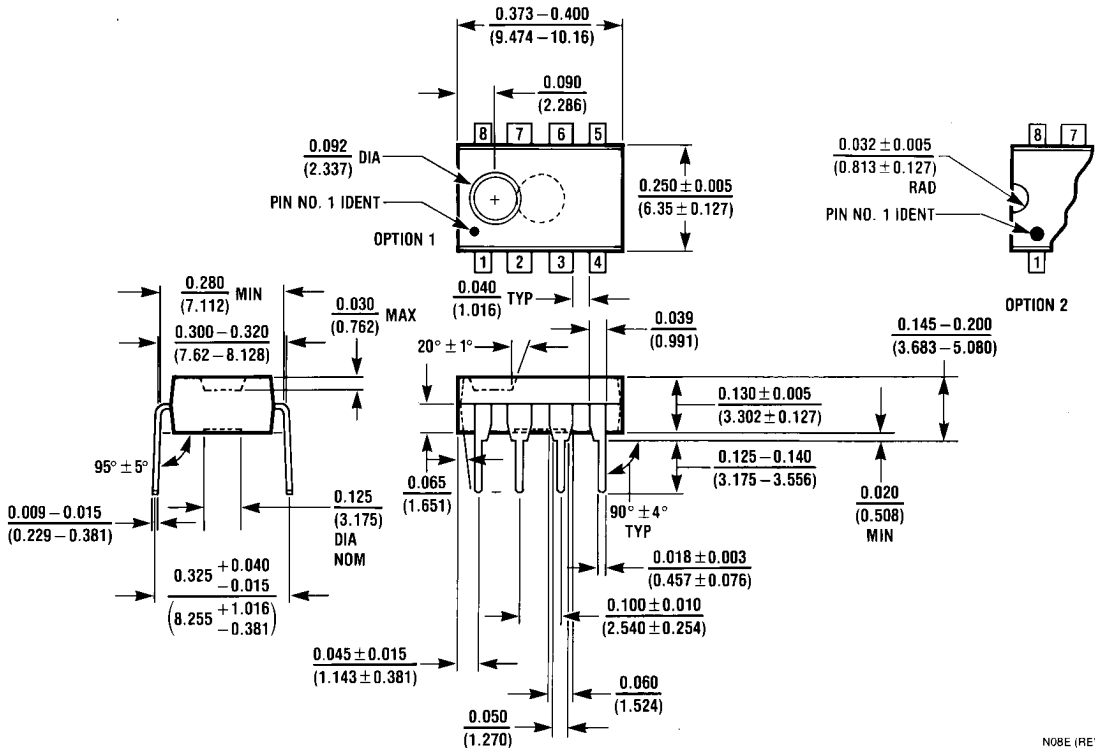
8-Lead (0.150 Wide) Molded Small Outline Package, JEDEC
Order Number LM2907M-8 or LM2917M-8
NS Package Number M08A



CONTROLLING DIMENSION IS INCH
VALUES IN [] ARE MILLIMETERS

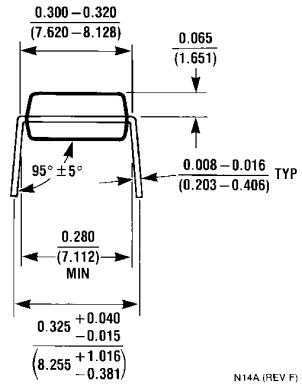
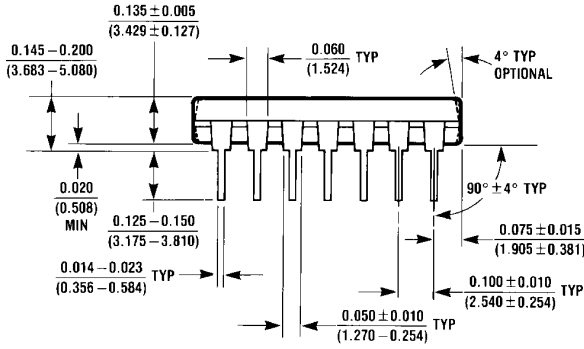
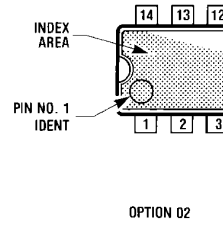
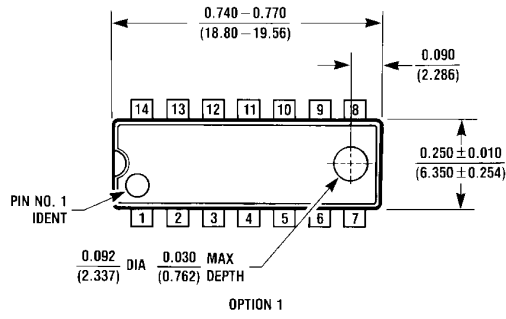
M14A (REV J)

Molded SO Package (M)
Order Number LM2907M or LM2917M
NS Package Number M14A



Molded Dual-In-Line Package (N)
Order Number LM2907N-8 or LM2917N-8
NS Package Number N08E

N08E (REV F)



Molded Dual-In-Line Package (N)
 Order Number LM2907N or LM2917N
 NS Package Number N14A

N14A (REV F)

Notes

For more National Semiconductor product information and proven design tools, visit the following Web sites at:

| Products | | Design Support | |
|--------------------------------|--|-------------------------|--|
| Amplifiers | www.national.com/amplifiers | WEBENCH® Tools | www.national.com/webench |
| Audio | www.national.com/audio | App Notes | www.national.com/appnotes |
| Clock and Timing | www.national.com/timing | Reference Designs | www.national.com/refdesigns |
| Data Converters | www.national.com/adc | Samples | www.national.com/samples |
| Interface | www.national.com/interface | Eval Boards | www.national.com/evalboards |
| LVDS | www.national.com/lvds | Packaging | www.national.com/packaging |
| Power Management | www.national.com/power | Green Compliance | www.national.com/quality/green |
| Switching Regulators | www.national.com/switchers | Distributors | www.national.com/contacts |
| LDOs | www.national.com/ldo | Quality and Reliability | www.national.com/quality |
| LED Lighting | www.national.com/led | Feedback/Support | www.national.com/feedback |
| Voltage Reference | www.national.com/vref | Design Made Easy | www.national.com/easy |
| PowerWise® Solutions | www.national.com/powerwise | Solutions | www.national.com/solutions |
| Serial Digital Interface (SDI) | www.national.com/sdi | Mil/Aero | www.national.com/milaero |
| Temperature Sensors | www.national.com/tempsensors | Solar Magic® | www.national.com/solarmagic |
| Wireless (PLL/VCO) | www.national.com/wireless | Analog University® | www.national.com/AU |

THE CONTENTS OF THIS DOCUMENT ARE PROVIDED IN CONNECTION WITH NATIONAL SEMICONDUCTOR CORPORATION ("NATIONAL") PRODUCTS. NATIONAL MAKES NO REPRESENTATIONS OR WARRANTIES WITH RESPECT TO THE ACCURACY OR COMPLETENESS OF THE CONTENTS OF THIS PUBLICATION AND RESERVES THE RIGHT TO MAKE CHANGES TO SPECIFICATIONS AND PRODUCT DESCRIPTIONS AT ANY TIME WITHOUT NOTICE. NO LICENSE, WHETHER EXPRESS, IMPLIED, ARISING BY ESTOPPEL OR OTHERWISE, TO ANY INTELLECTUAL PROPERTY RIGHTS IS GRANTED BY THIS DOCUMENT.

TESTING AND OTHER QUALITY CONTROLS ARE USED TO THE EXTENT NATIONAL DEEMS NECESSARY TO SUPPORT NATIONAL'S PRODUCT WARRANTY. EXCEPT WHERE MANDATED BY GOVERNMENT REQUIREMENTS, TESTING OF ALL PARAMETERS OF EACH PRODUCT IS NOT NECESSARILY PERFORMED. NATIONAL ASSUMES NO LIABILITY FOR APPLICATIONS ASSISTANCE OR BUYER PRODUCT DESIGN. BUYERS ARE RESPONSIBLE FOR THEIR PRODUCTS AND APPLICATIONS USING NATIONAL COMPONENTS. PRIOR TO USING OR DISTRIBUTING ANY PRODUCTS THAT INCLUDE NATIONAL COMPONENTS, BUYERS SHOULD PROVIDE ADEQUATE DESIGN, TESTING AND OPERATING SAFEGUARDS.

EXCEPT AS PROVIDED IN NATIONAL'S TERMS AND CONDITIONS OF SALE FOR SUCH PRODUCTS, NATIONAL ASSUMES NO LIABILITY WHATSOEVER, AND NATIONAL DISCLAIMS ANY EXPRESS OR IMPLIED WARRANTY RELATING TO THE SALE AND/OR USE OF NATIONAL PRODUCTS INCLUDING LIABILITY OR WARRANTIES RELATING TO FITNESS FOR A PARTICULAR PURPOSE, MERCHANTABILITY, OR INFRINGEMENT OF ANY PATENT, COPYRIGHT OR OTHER INTELLECTUAL PROPERTY RIGHT.

LIFE SUPPORT POLICY

NATIONAL'S PRODUCTS ARE NOT AUTHORIZED FOR USE AS CRITICAL COMPONENTS IN LIFE SUPPORT DEVICES OR SYSTEMS WITHOUT THE EXPRESS PRIOR WRITTEN APPROVAL OF THE CHIEF EXECUTIVE OFFICER AND GENERAL COUNSEL OF NATIONAL SEMICONDUCTOR CORPORATION. As used herein:

Life support devices or systems are devices which (a) are intended for surgical implant into the body, or (b) support or sustain life and whose failure to perform when properly used in accordance with instructions for use provided in the labeling can be reasonably expected to result in a significant injury to the user. A critical component is any component in a life support device or system whose failure to perform can be reasonably expected to cause the failure of the life support device or system or to affect its safety or effectiveness.

National Semiconductor and the National Semiconductor logo are registered trademarks of National Semiconductor Corporation. All other brand or product names may be trademarks or registered trademarks of their respective holders.

Copyright© 2008 National Semiconductor Corporation

For the most current product information visit us at www.national.com



**National Semiconductor
Americas Technical
Support Center**
Email: support@nsc.com
Tel: 1-800-272-9959

**National Semiconductor Europe
Technical Support Center**
Email: europe.support@nsc.com
German Tel: +49 (0) 180 5010 771
English Tel: +44 (0) 870 850 4288

**National Semiconductor Asia
Pacific Technical Support Center**
Email: ap.support@nsc.com

**National Semiconductor Japan
Technical Support Center**
Email: jpn.feedback@nsc.com

IMPORTANT NOTICE

Texas Instruments Incorporated and its subsidiaries (TI) reserve the right to make corrections, modifications, enhancements, improvements, and other changes to its products and services at any time and to discontinue any product or service without notice. Customers should obtain the latest relevant information before placing orders and should verify that such information is current and complete. All products are sold subject to TI's terms and conditions of sale supplied at the time of order acknowledgment.

TI warrants performance of its hardware products to the specifications applicable at the time of sale in accordance with TI's standard warranty. Testing and other quality control techniques are used to the extent TI deems necessary to support this warranty. Except where mandated by government requirements, testing of all parameters of each product is not necessarily performed.

TI assumes no liability for applications assistance or customer product design. Customers are responsible for their products and applications using TI components. To minimize the risks associated with customer products and applications, customers should provide adequate design and operating safeguards.

TI does not warrant or represent that any license, either express or implied, is granted under any TI patent right, copyright, mask work right, or other TI intellectual property right relating to any combination, machine, or process in which TI products or services are used. Information published by TI regarding third-party products or services does not constitute a license from TI to use such products or services or a warranty or endorsement thereof. Use of such information may require a license from a third party under the patents or other intellectual property of the third party, or a license from TI under the patents or other intellectual property of TI.

Reproduction of TI information in TI data books or data sheets is permissible only if reproduction is without alteration and is accompanied by all associated warranties, conditions, limitations, and notices. Reproduction of this information with alteration is an unfair and deceptive business practice. TI is not responsible or liable for such altered documentation. Information of third parties may be subject to additional restrictions.

Resale of TI products or services with statements different from or beyond the parameters stated by TI for that product or service voids all express and any implied warranties for the associated TI product or service and is an unfair and deceptive business practice. TI is not responsible or liable for any such statements.

TI products are not authorized for use in safety-critical applications (such as life support) where a failure of the TI product would reasonably be expected to cause severe personal injury or death, unless officers of the parties have executed an agreement specifically governing such use. Buyers represent that they have all necessary expertise in the safety and regulatory ramifications of their applications, and acknowledge and agree that they are solely responsible for all legal, regulatory and safety-related requirements concerning their products and any use of TI products in such safety-critical applications, notwithstanding any applications-related information or support that may be provided by TI. Further, Buyers must fully indemnify TI and its representatives against any damages arising out of the use of TI products in such safety-critical applications.

TI products are neither designed nor intended for use in military/aerospace applications or environments unless the TI products are specifically designated by TI as military-grade or "enhanced plastic." Only products designated by TI as military-grade meet military specifications. Buyers acknowledge and agree that any such use of TI products which TI has not designated as military-grade is solely at the Buyer's risk, and that they are solely responsible for compliance with all legal and regulatory requirements in connection with such use.

TI products are neither designed nor intended for use in automotive applications or environments unless the specific TI products are designated by TI as compliant with ISO/TS 16949 requirements. Buyers acknowledge and agree that, if they use any non-designated products in automotive applications, TI will not be responsible for any failure to meet such requirements.

Following are URLs where you can obtain information on other Texas Instruments products and application solutions:

Products

| | |
|------------------------|--|
| Audio | www.ti.com/audio |
| Amplifiers | amplifier.ti.com |
| Data Converters | dataconverter.ti.com |
| DLP® Products | www.dlp.com |
| DSP | dsp.ti.com |
| Clocks and Timers | www.ti.com/clocks |
| Interface | interface.ti.com |
| Logic | logic.ti.com |
| Power Mgmt | power.ti.com |
| Microcontrollers | microcontroller.ti.com |
| RFID | www.ti-rfid.com |
| OMAP Mobile Processors | www.ti.com/omap |
| Wireless Connectivity | www.ti.com/wirelessconnectivity |

Applications

| | |
|-------------------------------|--|
| Communications and Telecom | www.ti.com/communications |
| Computers and Peripherals | www.ti.com/computers |
| Consumer Electronics | www.ti.com/consumer-apps |
| Energy and Lighting | www.ti.com/energy |
| Industrial | www.ti.com/industrial |
| Medical | www.ti.com/medical |
| Security | www.ti.com/security |
| Space, Avionics and Defense | www.ti.com/space-avionics-defense |
| Transportation and Automotive | www.ti.com/automotive |
| Video and Imaging | www.ti.com/video |

TI E2E Community Home Page

e2e.ti.com

Mailing Address: Texas Instruments, Post Office Box 655303, Dallas, Texas 75265
Copyright © 2011, Texas Instruments Incorporated