

PRELIMINARY SPEC

Part Number: LSA70-21474SRC

Super Bright Red

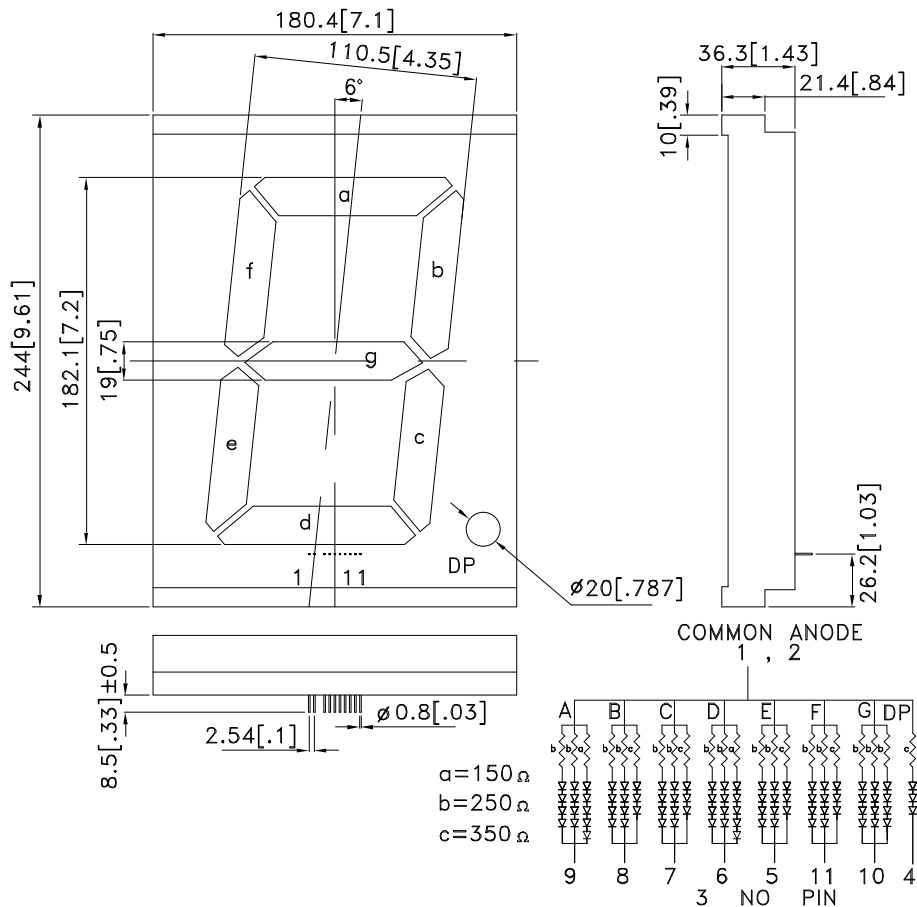
Features

- LARGE SIZE.
- 7.2 INCH DIGIT HEIGHT.
- EXCELLENT CHARACTER APPEARANCE.
- HIGH LIGHT OUTPUT.
- EASY MOUNTING ON P.C. BOARDS OR SOCKETS.
- I.C. COMPATIBLE.
- MECHANICALLY RUGGED.
- RoHS COMPLIANT.

Description

The Super Bright Red source color devices are made with Gallium Aluminum Arsenide Red Light Emitting Diode.

Package Dimensions & Internal Circuit Diagram



Notes:

1. All dimensions are in millimeters (inches), Tolerance is ± 0.25 (0.01") unless otherwise noted.
2. Specifications are subject to change without notice.

Selection Guide

Part No.	Dice	Lens Type	Iv (mcd) / per chip [1] @ 20mA	
			Min.	Typ.
LSA70-21474SRC	Super Bright Red (GaAlAs)	WATER CLEAR	36	100

Note:

1. Luminous intensity/ luminous Flux: +/-15%.

Electrical / Optical Characteristics at TA=25°C

Symbol	Parameter	Device	Typ.	Max.	Units	Test Conditions
λ_{peak}	Peak Wavelength	Super Bright Red	660		nm	V _F =12V
λ_D [1]	Dominant Wavelength	Super Bright Red	640		nm	V _F =12V
$\Delta\lambda_{1/2}$	Spectral Line Half-width	Super Bright Red	20		nm	V _F =12V
C	Capacitance	Super Bright Red	45		pF	V _F =0V;f=1MHz
I _F	Forward Current Per Segment (DP)	Super Bright Red	55.2 (18.4)	90 (30)	mA	V _F =12V
I _R	Reverse Current Per Segment (DP)	Super Bright Red		30 (10)	uA	V _R =15V

Notes:

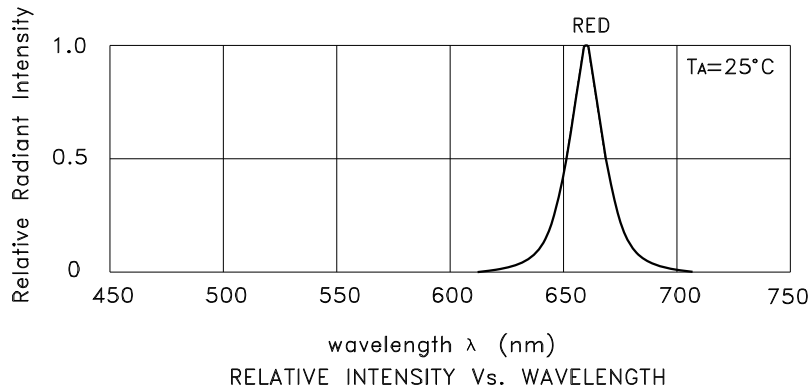
1.Wavelength: +/-1nm.

Absolute Maximum Ratings at TA=25°C

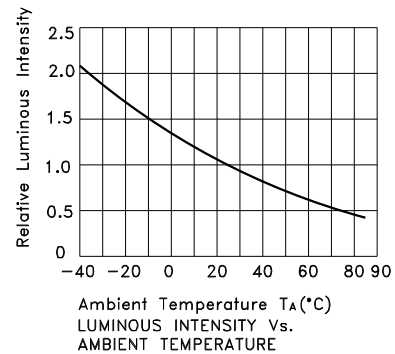
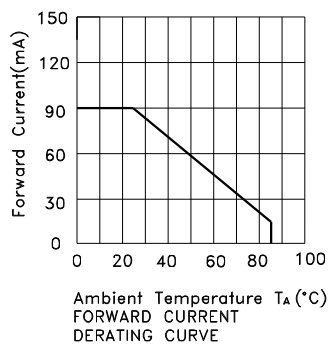
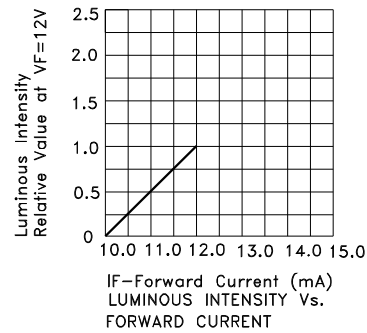
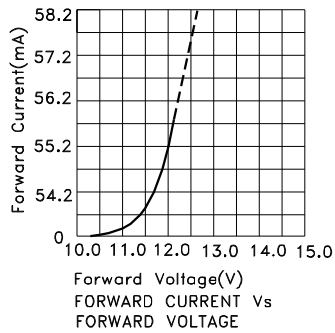
Parameter	Super Bright Red	Units
Power dissipation Per Segment (DP)	1.35(0.45)	W
DC Forward Voltage Per Segment (DP)	15	V
Reverse Voltage Per Segment (DP)	15	V
Operating / Storage Temperature	-40°C To +85°C	
Lead Solder Temperature[1]	260°C For 3-5 Seconds	

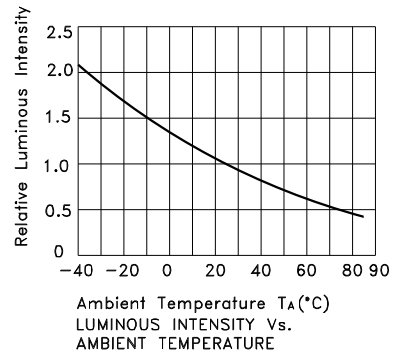
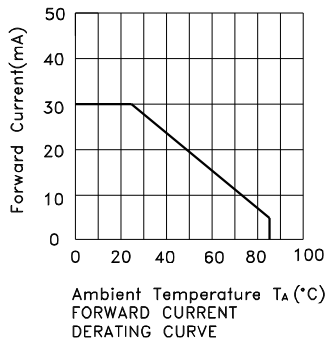
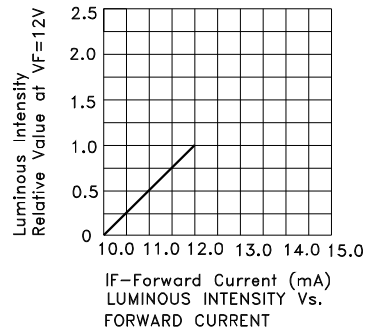
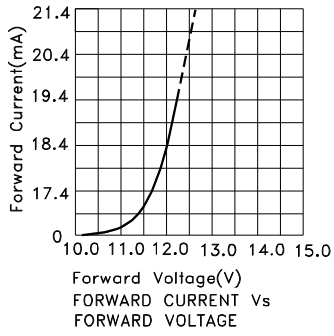
Notes:

1. 2mm below package base.



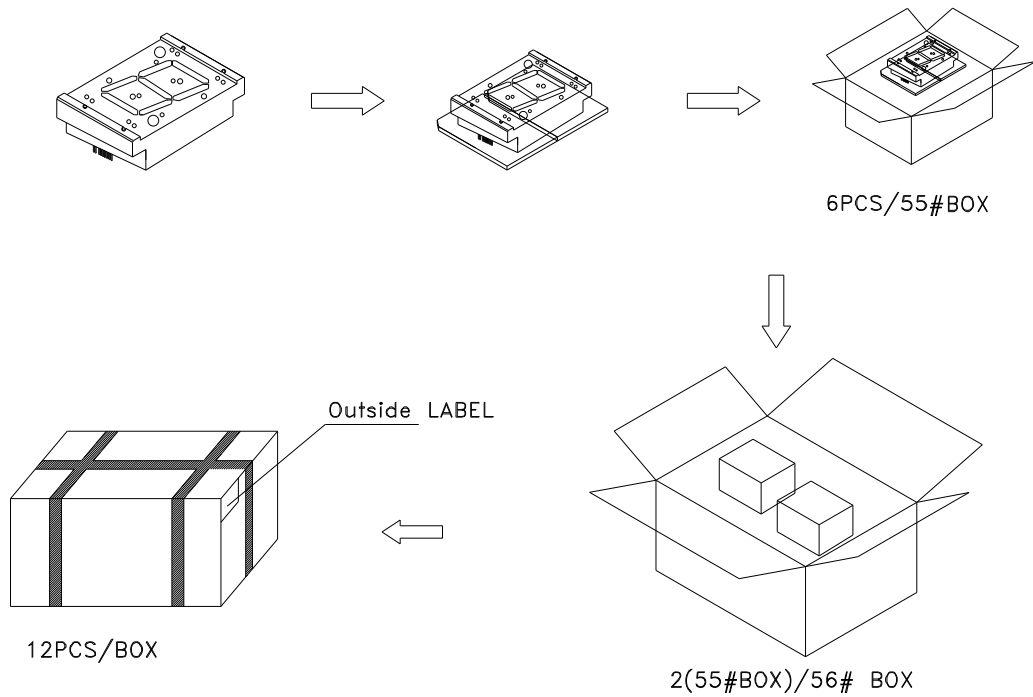
Super Bright Green LSA70-21474SRC



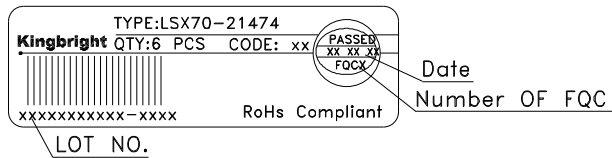


PACKING & LABEL SPECIFICATIONS

LSA70-21474SRC



Inside LABEL Paste On The 55#BOX



Outside LABEL Paste On The 56#Box

