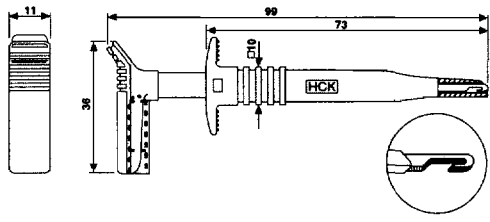
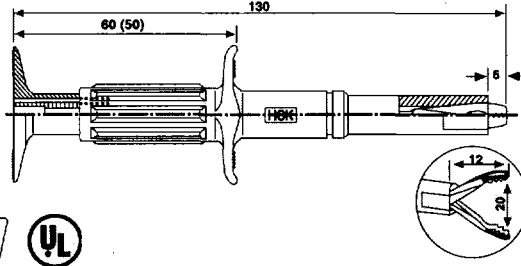
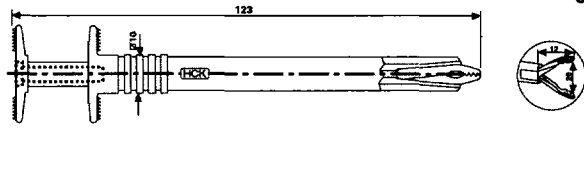
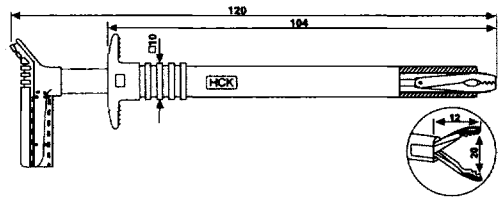
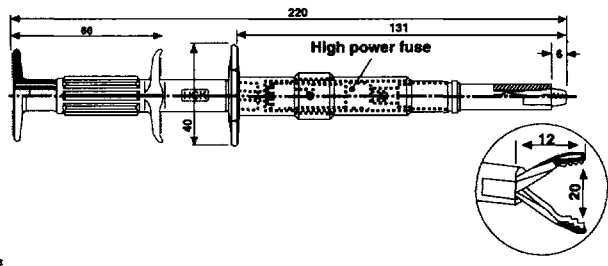


Nominal diameter	Withdraw. force	Rated current	Contact resistance	Type	Part No
4 mm	-	3 A	-	Minigrip-XA	64.9746
<p>Safety plug-on sprung hook, rated 1000 V, CAT II, 3 A, with right-angled safety socket and steel sprung hook for connections to wires and pins up to <math>\varnothing</math> 1.5 mm.</p> <p>Colors: 21 - 23</p> 					
				1:2	
4 mm	-	16 A	-	Grip-Ci	66.9126
<p>Safety jaw-grips, rated 1000 V, CAT III, 16 A, with nickel-plated, insulated steel jaws for secure connections to ground rails and cables up to 20 mm in diameter.</p> <p>Colors: 21 - 26</p> 					
				1:2	
4 mm	-	16 A	-	Minigrip-4/Ci	64.9746
<p>Plug-on grip, rated 16 A, with nickel-plated, insulated steel jaws for secure connections to ground rails and cables up to 20 mm diameter.</p> <p>Colors: 21 - 23</p> 					
				1:2	
4 mm	-	16 A	-	Minigrip-XCi	66.9756
<p>Safety plug-on jaw grip, rated 1000 V, CAT II, 16 A, with a right-angled safety socket and nickel-plated, insulated steel jaws for secure connections to ground rails and cables up to 20 mm diameter.</p> <p>Colors: 20 - 23</p> 					
				1:2	
4 mm	-	16 A	-	Grip-Di	66.9266
<p>Plug-on fused jaw-grips, rated 500 V, CAT III, max. 16A, has a 4 mm safety socket in the insulated stem and nickel-plated, insulated steel jaws for secure connections to ground rails and cables up to 20 mm in diameter. Bayonet lock to facilitate quick fuse changing. Transparent fuse section for immediate 'fuse present indication'. Large finger guard to prevent accidental contact with live parts.</p> <p>Colors: 21 - 26</p> 					
				1:3	

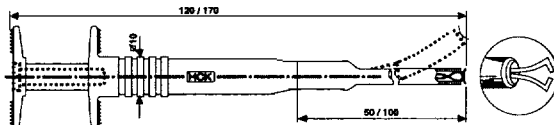
20 - green/yellow 21 - black 22 - red 23 - blue 24 - yellow 25 - green 26 - violet 27 - brown 28 - gray 29 - white 33 - transparent

Part No.	Type	Nominal diameter	Withdraw. force	Rated current	Contact resistance
----------	------	------------------	-----------------	---------------	--------------------

14.9742  
50 mm)  
Minigrip-4/B-50  
Minigrip-4/B-100

4 mm - 1 A -

14.9743  
100 mm)



1:2 Colors: 21 - 23

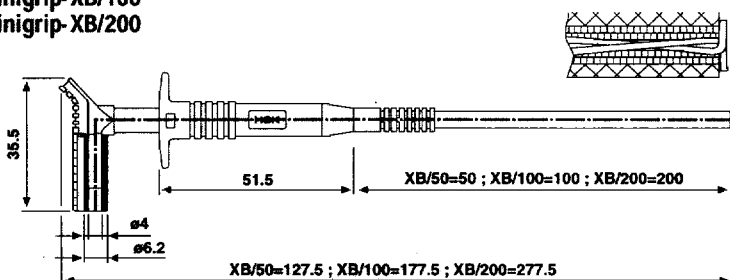
Plug-on grip, rated 1 A, version with stainless steel claws which extend from the insulated flexible 50 mm (Minigrip-4/B-50) or 100 mm long (Minigrip-4/B-100) Bowden shaft.

16.9747  
50 mm)  
Minigrip-XB/50  
Minigrip-XB/100  
Minigrip-XB/200

4 mm - 1 A -

16.9748  
100 mm)

16.9752  
200 mm)



1:2

Colors: 21 - 23

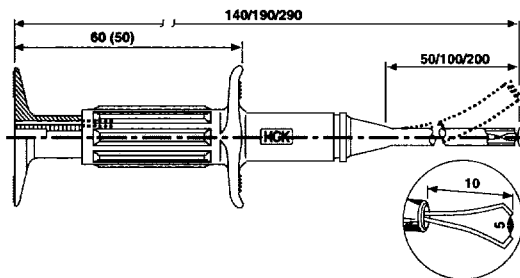
Safety plug-on grabber, rated 1000 V, CAT II, 1 A, with right-angled safety socket and stainless steel claws which extend from the silicone insulated, flexible 50 mm (Minigrip-XB-50), 100 mm (Minigrip-XB-100), or 200 mm (Minigrip-XB-200) mm long Bowden shaft.

16.9120  
50 mm)  
Grip-B/50  
Grip-B/100  
Grip-B/200

4 mm - 1 A -

16.9117  
100 mm)

16.9118  
200 mm)



1:2 Colors: 21 - 23

Safety grabber, rated 1000 V, CAT III, 1 A, has two steel wire claws which open and spread when the plunger is pressed. A 4 mm safety socket is located in the handle for plug-on connection test leads. Available in 3 different lengths: 50mm (Grip-B-50), 100 mm (Grip-B-100), and 200 mm (Grip-B-200)

14.0220 KPS 5/4

4 mm - - -



Test clip with revolving grabber and 4 mm dia. (.160 in) dia. socket. Insulated flexible shaft.

Overall length: ..... 160 mm (6.30 in)

Ratings:  
 • Rated voltage: ..... 300 V  
 • Insulation coordination: ..... 2500 V/2 (applies only to handle portion)  
 • Test voltage: ..... 1350 V  
 • Operating temperature: ..... -10°C to +60°C (14°F to 140°F)

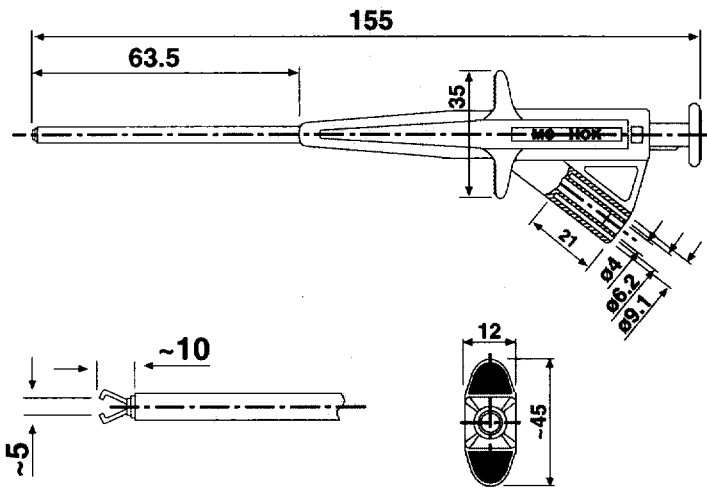
1:2 Colors: 21, 22

20 - green/yellow 21 - black 22 - red 23 - blue 24 - yellow 25 - green 26 - violet 27 - brown 28 - gray 29 - white 33 - transparent

Nominal diameter	Withdraw. force	Rated current	Contact resistance	Type	Part No
4 mm	-	-	-	SKPS 4	24.0224

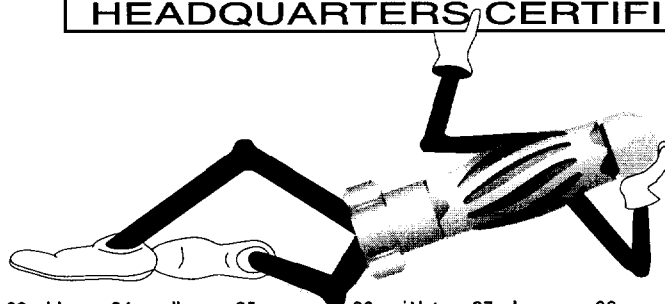
The SKPS 4 has been improved for safe and reliable voltage current transfer through the use of the proven MC® Multilam™. The new SKPS 4 is now available with the following improvements:

- Safe and reliable voltage and current transfer through the use of the proven MC® Multilam™.
- Low transfer resistance allowing problem-free use with loads up to 4A.
- Flexible, silicone insulated shank gives more durable insulation that withstands brief contact with a soldering iron.
- Higher operating voltage: ..... 1000 V, CAT III
- The SKPS 4 is available in a range of colors: 21 - 26
- A crosspiece has been added between the end of the safety socket and the handle section which prevents tapping connectors from becoming caught up on the test leads. The crosspiece can also be used to hang up the SKPS 4.
- Reduce weight due to the use of new materials. This results in easier handling and places less strain on the components to which the safety test clip is connected during test operations.



Call us today for the latest ordering information on this item.

**ISO 9001**  
HEADQUARTERS CERTIFIED



- 20 - green/yellow 21 - black 22 - red 23 - blue 24 - yellow 25 - green 26 - violet 27 - brown 28 - gray 29 - white 33 - transparent