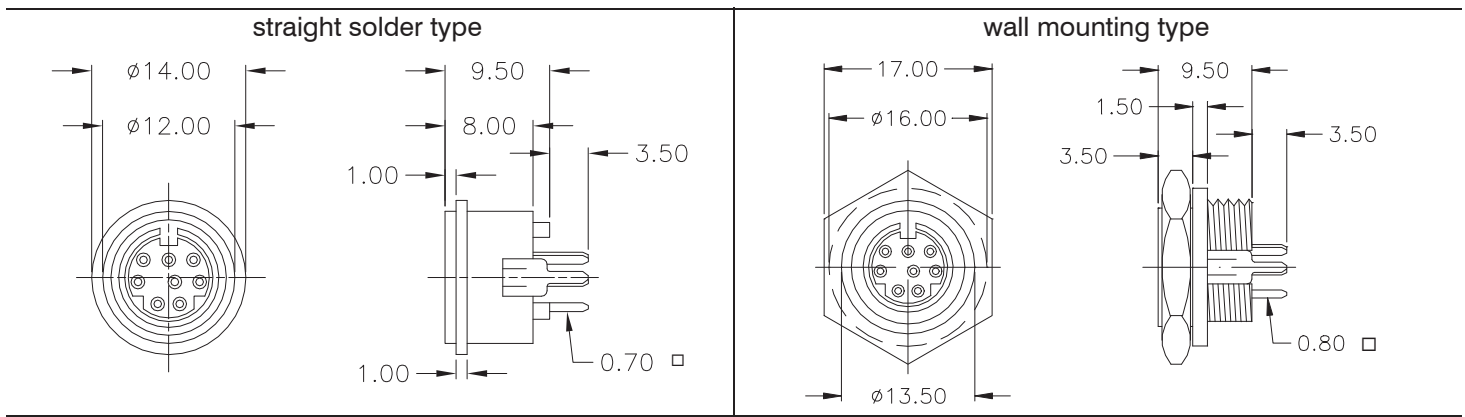
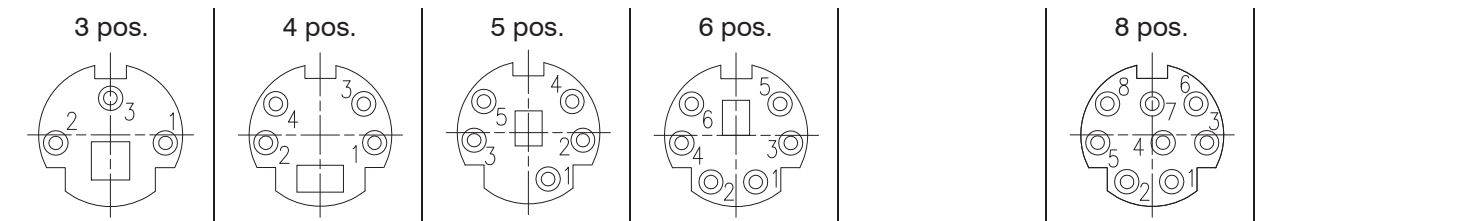


# Mini DIN Connector

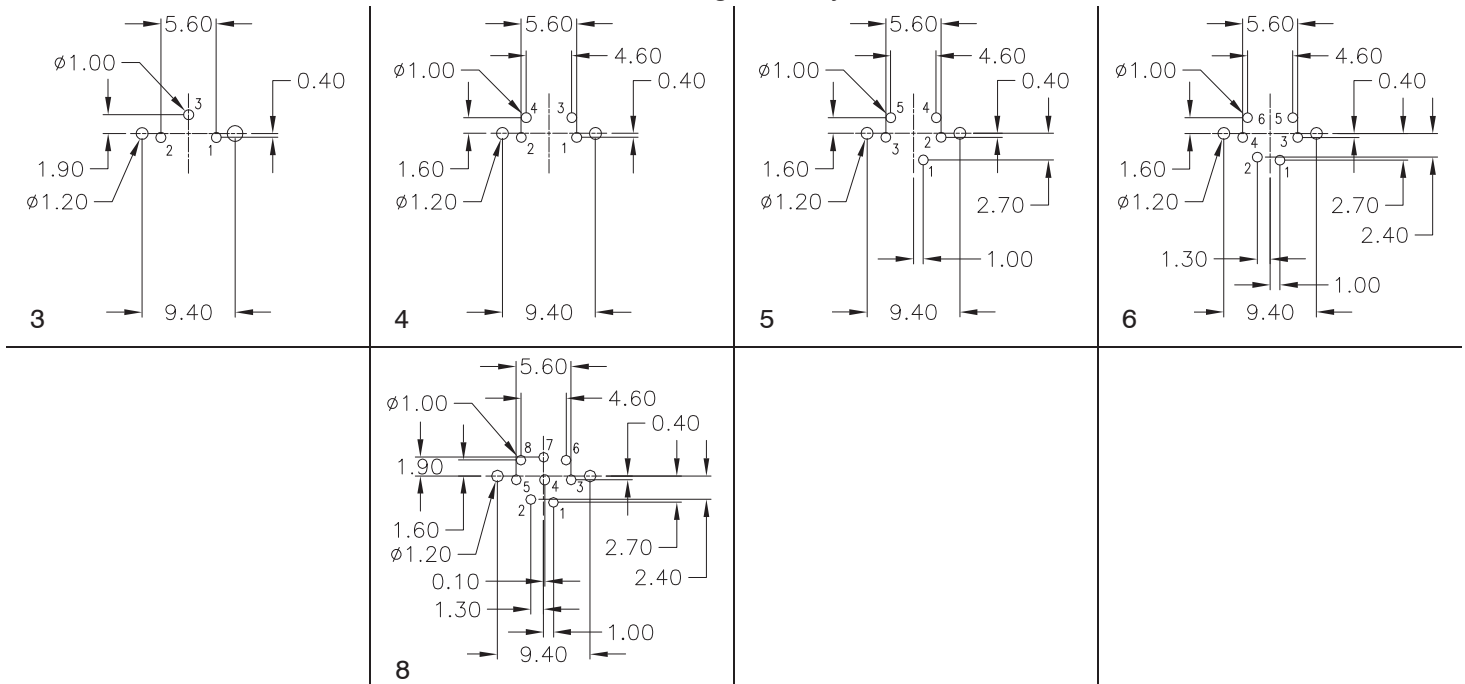
## straight & wall mounting type



### FRONT VIEWS



### PCB through hole layout



### SPECIFICATIONS

Current rating	1 A max. at 100 V AC or 2 A max. at 12 V DC	Contact material (RoHS compliant)	Phosphor bronze
Insulator resistance	100 MΩ min. at 500 V DC	Contact plating	Silver
Contact resistance	30 mΩ max.	Insulator material (RoHS compliant)	P.B.T. UL 94 V-0
Dielectric withstanding voltage	250 V AC for 1 min.	Insertion force	4.0kg max.
Operating temperature	-40°C to +105°C	Extraction force	0.9kg min.
		Insertion/extraction cycles	100 min.

### Ordering Code

**MDJ - xxx - S X 01 - AGZ**

Nbr of contacts
003; 004; 005 006; 008

Types
<b>N</b> = straight solder type <b>S</b> = wall mounting type