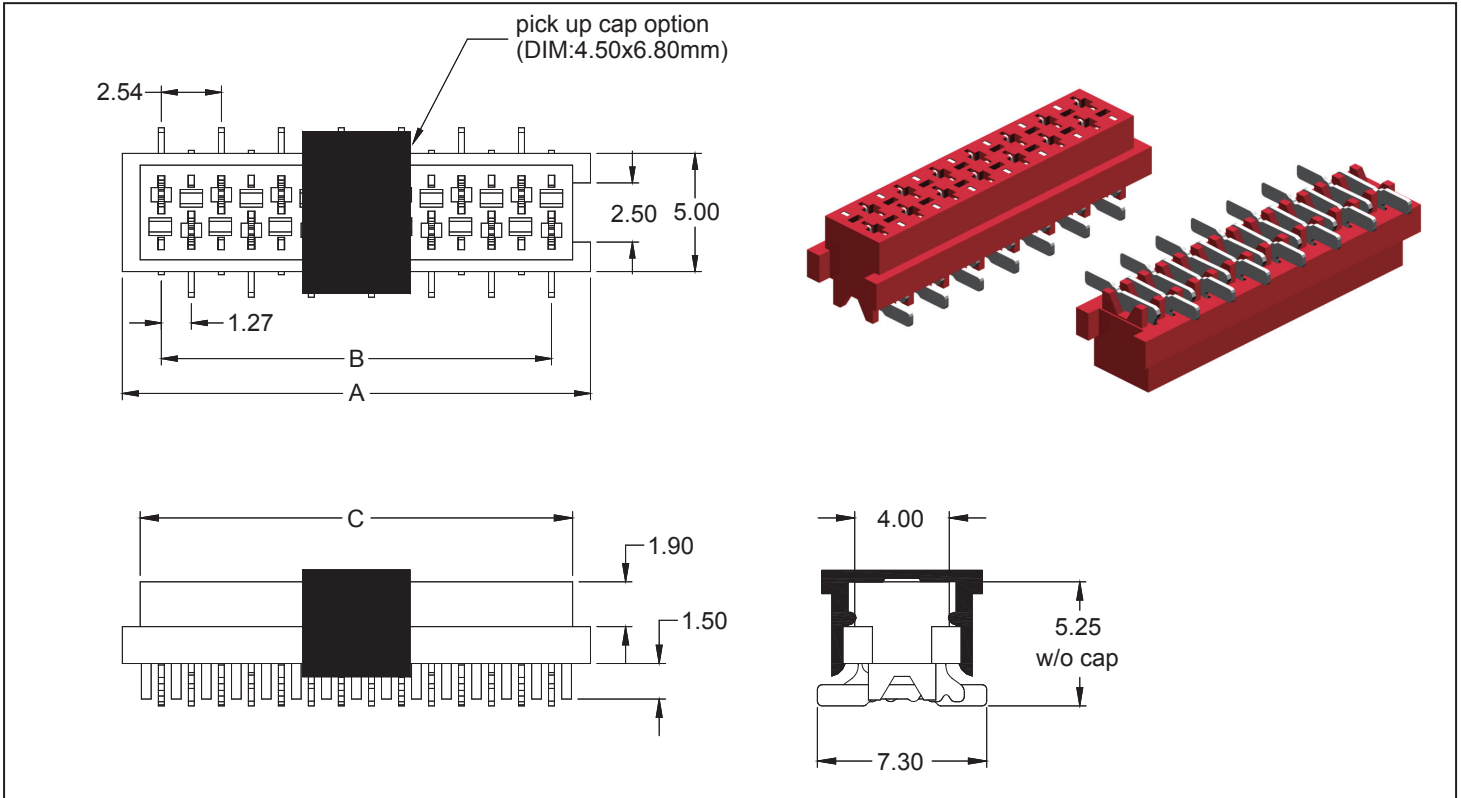
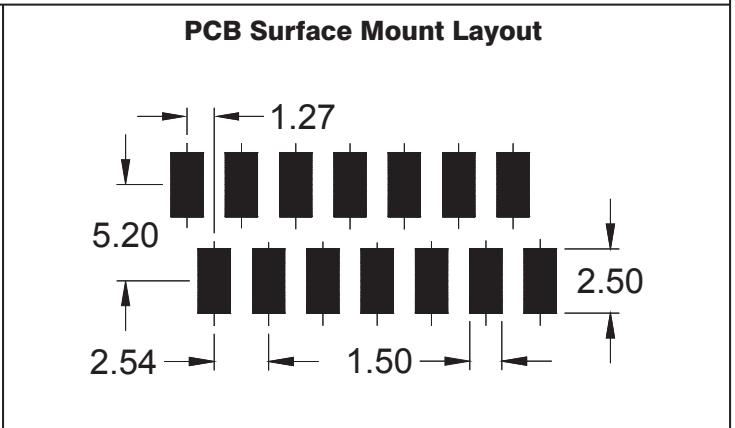


# Mini - Mate Connector

## - SMT - female Block Shape



SPECIFICATIONS	
Current rating	1 A
Nominal rating	230 V
Contact resistance	10 mΩ max.
Insulator resistance	1000 MΩ min.
Withstanding voltage	500 V AC
Operating temperature	-40°C to +105°C
Processing temperature	+260°C +0/-5°C for 5sec.
Preheating	150°C±10°C/1~2 Min.
Insulator material	Nylon 46 (red) UL 94 V-0
Contact material	Phosphor Bronze



Dimensions (mm)											
Contacts	DIM "A"	DIM "B"	DIM "C"	Contacts	DIM "A"	DIM "B"	DIM "C"	Contacts	DIM "A"	DIM "B"	DIM "C"
004	7.00	3.81	5.60	012	17.16	13.97	15.76	020	27.32	24.13	25.92
006	9.54	6.35	8.14	014	19.70	16.51	18.30				
008	12.08	8.89	10.68	016	22.24	19.05	20.84				
010	14.62	11.43	13.22	018	24.78	21.59	23.38				

### How to order

MMF - xxx - HB50 - 99 / X

Nbr of contacts
004; 006; 008; 010 012; 014; 016; 018 020

Plating
99 = Tin
Other platings on request

Option
A = tube packing; with pick & place pad
B = reel packing; with pick & place pad
T = tube packing; without pick & place pad