

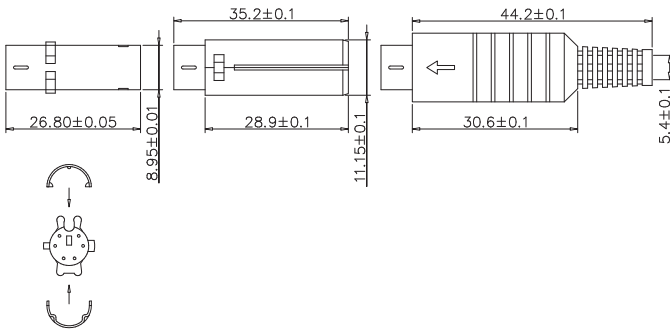
01 MP-371

Miniature circular connectors

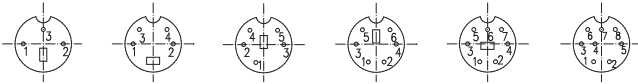


Miniature plug, straight version, with bend protection and solder terminals

**01 MP-371**



**Pin configuration**



MP-371/S3 MP-371/S4 MP-371/S5 MP-371/S6 MP-371/S7 MP-371/S8

**Environmental conditions**

Temperature range -25 °C/+85 °C

**Materials**

Insulating body ABS  
 Contact pin CuSn, silver-plated  
 Inner sleeve Cu alloy, nickel-plated  
 Outer sleeve ABS  
 Housing PE

**Mechanical data**

Mating cycles ≥ 5000

**Connectable conductors for solder area**

Section AWG 26–28  
 Cable diameter ≤ 5,4 mm

**Electrical data (at T<sub>amb</sub> 20 °C)**

Rated current 1 A  
 Rated voltage 100 V AC  
 Rated impulse voltage 250 V AC/60 s  
 Insulation resistance 100 MΩ

**Associated products**

Counterparts  
 ↗ MJ-372 ↗ TM 0508 A

01 MP-371

Designation	Pole Number	PU (Pieces)	MDQ (Pieces)
MP-371/S3	3	100	500
MP-371/S4	4	100	500
MP-371/S5	5	100	500
MP-371/S6	6	100	500
MP-371/S7	7	100	500
MP-371/S8	8	100	500

**Packaging:**

in bulk, in a cardboard box or a plastic bag