

MS-500シリーズ/SERIES

品番 PARTS No.	MS-500□ -B	MS-500□ -BC	MS-500□ -F	MS-500□ -MF	MS-500□ -B2	MS-500□ -B-PC	MS-500□ -B-RI	MS-500□ -B-VT
回路 CIRCUITS								
SPST (2P)	ON-OFF K	ON-OFF K	ON-OFF K	ON-OFF K	ON-OFF K	—	—	—
SPDT (3P)	ON-ON A	ON-ON A	ON-ON A	ON-ON A	ON-ON A	ON-ON A	ON-ON A	ON-ON A
	ON-(ON) B	ON-(ON) B	ON-(ON) B	ON-(ON) B	—	ON-(ON) B	ON-(ON) B	ON-(ON) B
	ON-OFF-ON C	ON-OFF-ON C	ON-OFF-ON C	ON-OFF-ON C	ON-OFF-ON C	ON-OFF-ON C	ON-OFF-ON C	ON-OFF-ON C
	ON-OFF-(ON) D	ON-OFF-(ON) D	ON-OFF-(ON) D	ON-OFF-(ON) D	—	ON-OFF-(ON) D	ON-OFF-(ON) D	ON-OFF-(ON) D
	(ON)-OFF-(ON) E	(ON)-OFF-(ON) E	(ON)-OFF-(ON) E	(ON)-OFF-(ON) E	—	(ON)-OFF-(ON) E	(ON)-OFF-(ON) E	(ON)-OFF-(ON) E
DPDT (6P)	ON-ON F	ON-ON F	ON-ON F	ON-ON F	ON-ON F	ON-ON F	ON-ON F	ON-ON F
	ON-(ON) G	ON-(ON) G	ON-(ON) G	ON-(ON) G	—	ON-(ON) G	ON-(ON) G	ON-(ON) G
	ON-OFF-ON H	ON-OFF-ON H	ON-OFF-ON H	ON-OFF-ON H	ON-OFF-ON H	ON-OFF-ON H	ON-OFF-ON H	ON-OFF-ON H
	ON-OFF-(ON) I	ON-OFF-(ON) I	ON-OFF-(ON) I	ON-OFF-(ON) I	—	ON-OFF-(ON) I	ON-OFF-(ON) I	ON-OFF-(ON) I
	(ON)-OFF-(ON) J	(ON)-OFF-(ON) J	(ON)-OFF-(ON) J	(ON)-OFF-(ON) J	—	(ON)-OFF-(ON) J	(ON)-OFF-(ON) J	(ON)-OFF-(ON) J
レバーカラー	シルバー	R(赤), K(黒), W(白) Y(黄), B(青)	シルバー	R(赤), K(黒), W(白) Y(黄), B(青)	シルバー	シルバー	シルバー	シルバー
端子形状	半田端子	半田端子	半田端子	半田端子	半田端子	PC端子	ライトアングル	バーチカル
COLOR	Chrome Plated Brass	Red, Black, White Yellow, Blue	Chrome Plated Brass	Red, Black, White Yellow, Blue	Chrome Plated Brass	Chrome Plated Brass	Chrome Plated Brass	Chrome Plated Brass
TERMINALS	Solder Terminal	Solder Terminal	Solder Terminal	Solder Terminal	Solder Terminal	P.C. Terminal	Right Angle Mounting	Vertical Mounting

MS-500シリーズ/SERIES

受注生産/Only for large quantity order

品番 PARTS No.	MS-500□ -LL-S	MS-500□ -LL-P	MS-500□ -B-PCB	MS-500□ -B-PS	MS-500□ -CL	MS-500□ -L	MS-500□ -ML	MS-500□ -PL
回路 CIRCUITS								
SPST (2P)	ON-OFF K	ON-OFF K	—	—	ON-OFF K	ON-OFF K	ON-OFF K	ON-OFF K
SPDT (3P)	ON-ON A	ON-ON A	ON-ON A	ON-ON A	ON-ON A	ON-ON A	ON-ON A	ON-ON A
	—	—	ON-(ON) B	ON-(ON) B	ON-(ON) B	ON-(ON) B	ON-(ON) B	ON-(ON) B
	ON-OFF-ON C	ON-OFF-ON C	ON-OFF-ON C	ON-OFF-ON C	ON-OFF-ON C	ON-OFF-ON C	ON-OFF-ON C	ON-OFF-ON C
	—	—	ON-OFF-(ON) D	ON-OFF-(ON) D	ON-OFF-(ON) D	ON-OFF-(ON) D	ON-OFF-(ON) D	ON-OFF-(ON) D
	—	—	(ON)-OFF-(ON) E	(ON)-OFF-(ON) E	(ON)-OFF-(ON) E	(ON)-OFF-(ON) E	(ON)-OFF-(ON) E	(ON)-OFF-(ON) E
DPDT (6P)	ON-ON F	ON-ON F	ON-ON F	ON-ON F	ON-ON F	ON-ON F	ON-ON F	ON-ON F
	—	—	ON-(ON) G	ON-(ON) G	ON-(ON) G	ON-(ON) G	ON-(ON) G	ON-(ON) G
	ON-OFF-ON H	ON-OFF-ON H	ON-OFF-ON H	ON-OFF-ON H	ON-OFF-ON H	ON-OFF-ON H	ON-OFF-ON H	ON-OFF-ON H
	—	—	ON-OFF-(ON) I	ON-OFF-(ON) I	ON-OFF-(ON) I	ON-OFF-(ON) I	ON-OFF-(ON) I	ON-OFF-(ON) I
	—	—	(ON)-OFF-(ON) J	(ON)-OFF-(ON) J	(ON)-OFF-(ON) J	(ON)-OFF-(ON) J	(ON)-OFF-(ON) J	(ON)-OFF-(ON) J
レバーカラー	シルバー	シルバー	シルバー	シルバー	R(赤), K(黒), W(白) Y(黄), B(青)	シルバー	R(赤), K(黒), W(白)	R(赤), K(黒), W(白) Y(黄), B(青)
端子形状	半田端子	PC端子	PC端子	半田端子	半田端子	半田端子	半田端子	半田端子
COLOR	Chrome Plated Brass	Chrome Plated Brass	Chrome Plated Brass	Chrome Plated Brass	Red, Black, White Yellow, Blue	Chrome Plated Brass	Red, Black, Cream	Red, Black, White Yellow, Blue
TERMINALS	Solder Terminal	P.C. Terminal	P.C. Terminal	Solder Terminal	Solder Terminal	Solder Terminal	Solder Terminal	Solder Terminal

MS-500シリーズ/SERIES

ご注文の際は下記の例に準じてご用命下さい。

ORDERING INFORMATION

MS-500 A - MF - R
 1 2 3

1	回路 CIRCUIT	スイッチ特性 SWITCHING FUNCTION	レバー振れ角度 Lever Travel Angle
K	SPST (2P)	ON-OFF	24°±4°
A	SPDT (3P)	ON-ON	
B	SPDT (3P)	ON- (ON)	20°±4°
C	SPDT (3P)	ON-OFF-ON	12°±2°
D	SPDT (3P)	ON-OFF- (ON)	
E	SPDT (3P)	(ON) -OFF- (ON)	24°±4°
F	DPDT (6P)	ON-ON	
G	DPDT (6P)	ON- (ON)	20°±4°
H	DPDT (6P)	ON-OFF-ON	12°±2°
I	DPDT (6P)	ON-OFF- (ON)	
J	DPDT (6P)	(ON) -OFF- (ON)	

注記/NOTE
(ON) = ノンロック/Momentary

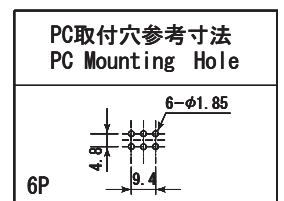
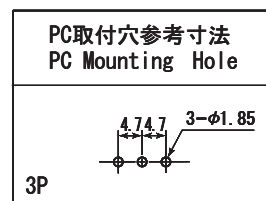
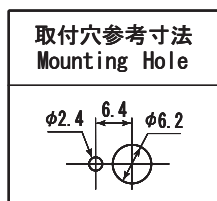
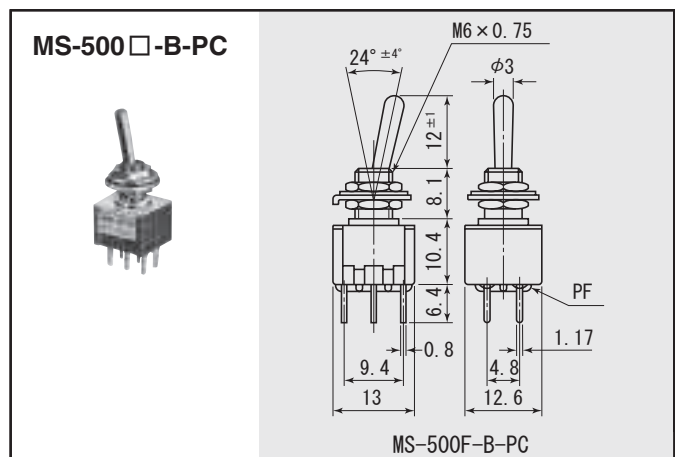
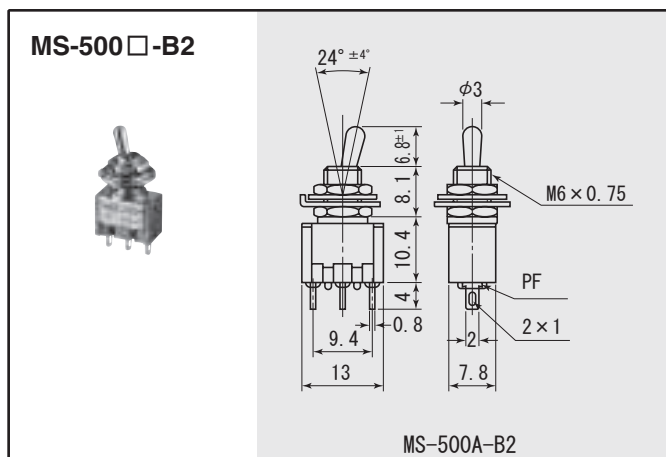
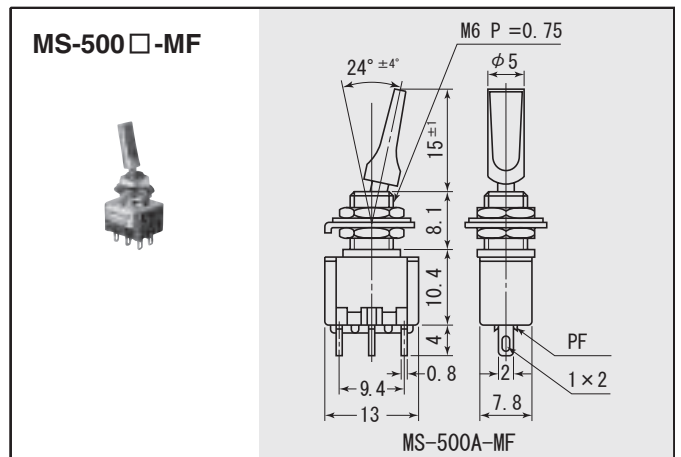
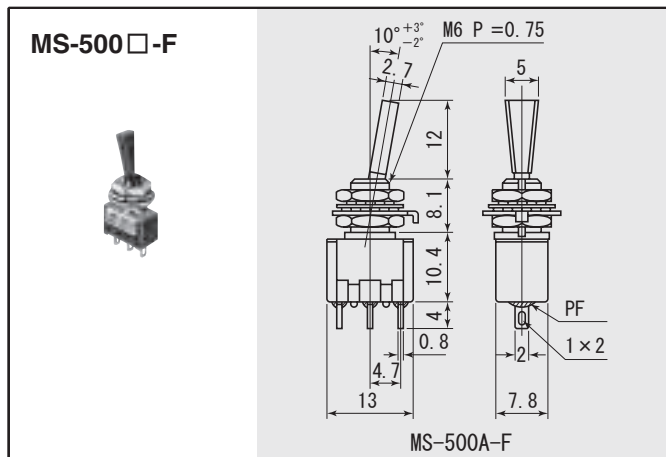
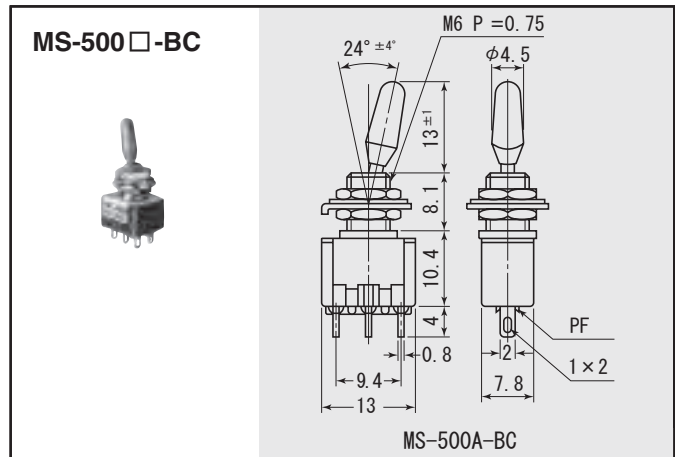
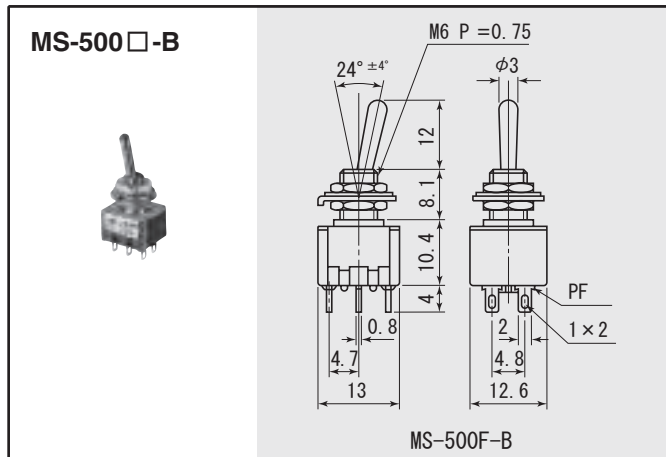
2	操作形状	Shape of Operation Part
B	バット状レバー	Bat type Lever
BC	バット状レバー (塩ビキャップ付)	Bat type Lever with Color Cap
F	金属フラットレバー	Metal Flat Lever
MF	モールドフラットレバー	Mould Flat Color Lever
PL	プラスチックキャップレバー	Plastic Cap Color Lever
CL	カラーチップ付レバー	Lever with Color Tip Top
L	金属ロングレバー	Metal Long Lever
LL	ロックレバー	Metal Lock Lever
ML	モールドロングレバー	Mould Long Color Lever
B2	バット状ショートレバー	Bat Type Short Lever

3	操作部色 又は端子形状	Top Color or Shape of Terminal
R	赤	Red
K	黒	Black
W	白	White
Y	黄	Yellow
U	青	Blue
S	半田端子	Solder Terminal
P/PC	PC端子	PC Terminal
PCB	PC端子ブラケットマウント付き	PC Terminal With Bracket mount
RI	ライトアングル	Right Angle Mounting Terminal
VT	バーチカル	Vertical Mounting Terminal
PS	半田端子防滴スイッチ	Splash Proof Type

電流容量	絶縁抵抗	絶縁耐圧	接触抵抗
RATING	INSULATION RESISTANCE	VOLTAGE BREAKDOWN	CONTACT RESISTANCE
6A. 125V. AC	DC. 500V 100MΩ以上 (MIN)	端子間 Between the terminals AC. 1000V1分間 (Minute) 充電部と非充電部 Between the terminals and actuator AC. 1500V1分間 (Minute)	20mΩ以下 (MAX)

MS-500シリーズ / SERIES

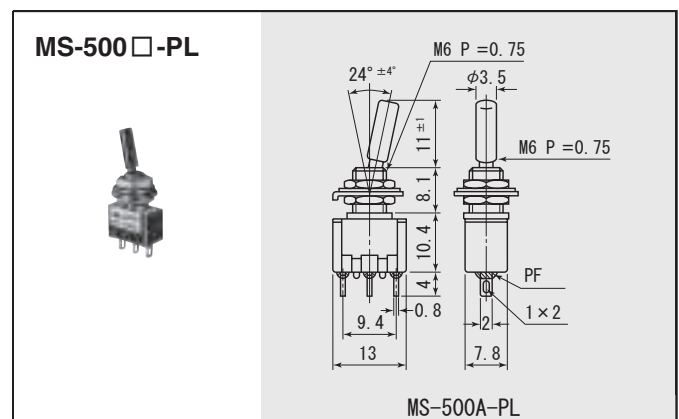
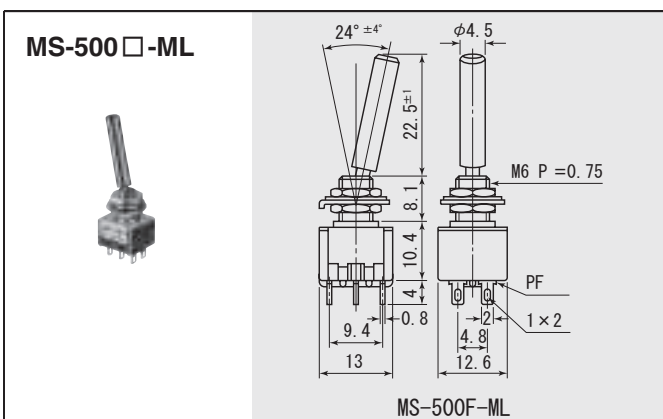
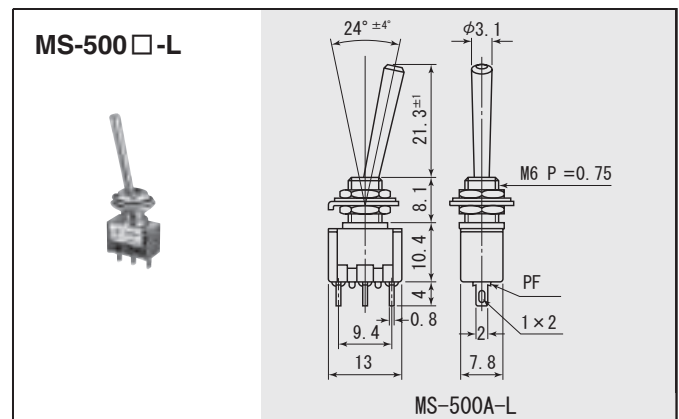
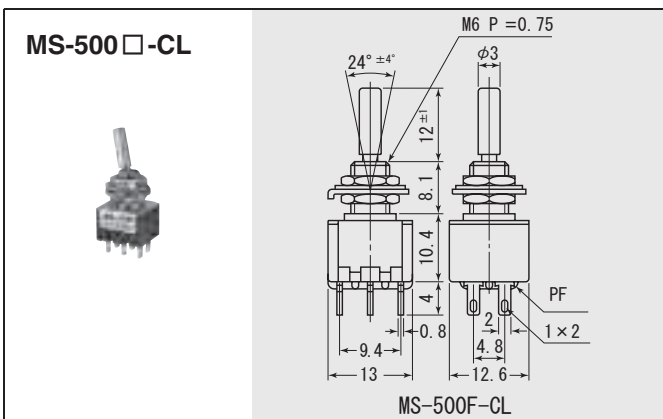
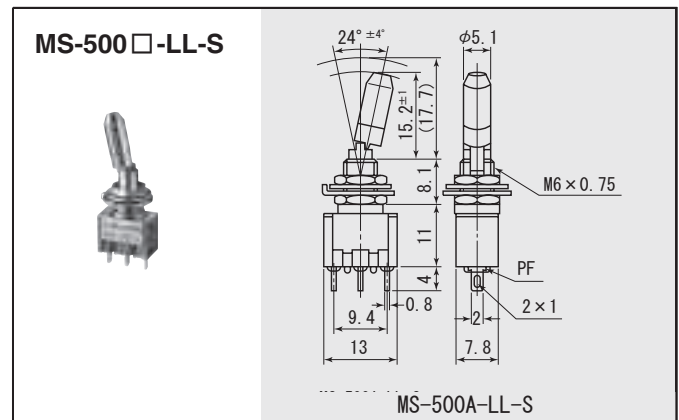
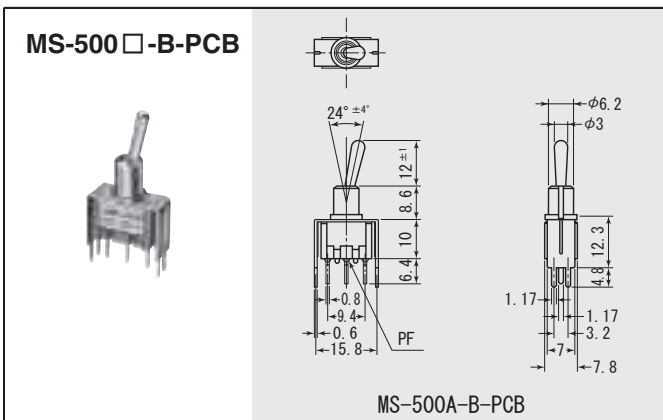
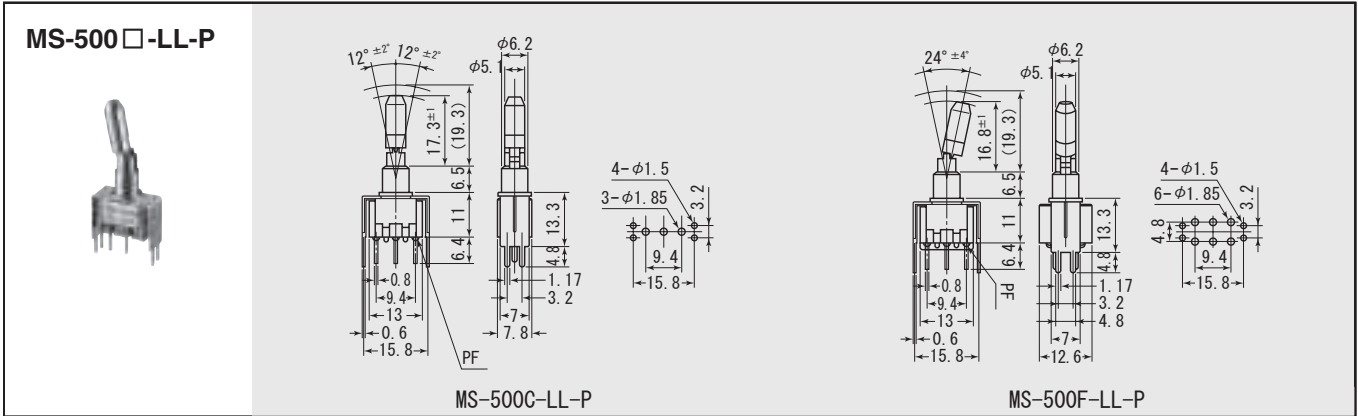
外形図 / Dimensions



MS-500シリーズ / SERIES

受注生産 / Only for large quantity order

外形図 / Dimensions




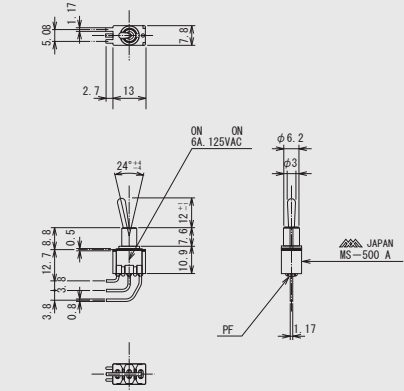
MS-500シリーズ/SERIES

バーチカル/Vertical Mounting

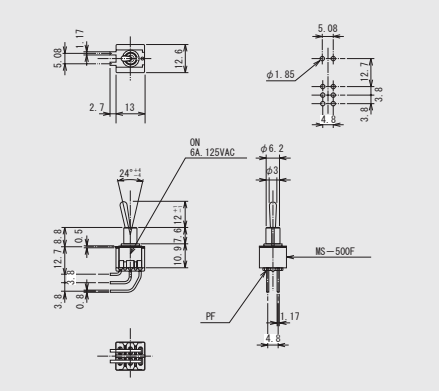
外形図/Dimensions

MS-500□-B-VT



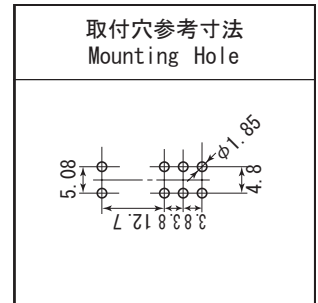
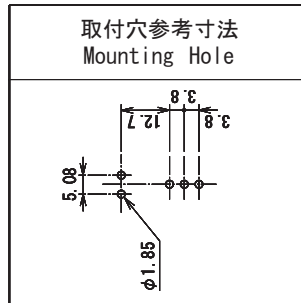


(3P) MS-500A-B-VT



(6P) MS-500F-B-VT


回路 CIRCUIT	レバー振れ角度 Lever Travel Angle
A	24°±4°
B	20°±4°
C・D・E	12°±2°
F	24°±4°
G	20°±4°
H・I・J	12°±2°

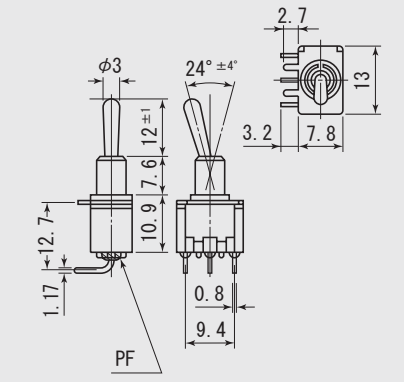


ライトアングル/Right Angle Mounting

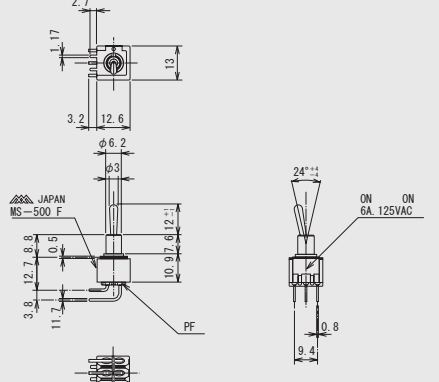
外形図/Dimensions

MS-500□-B-RI



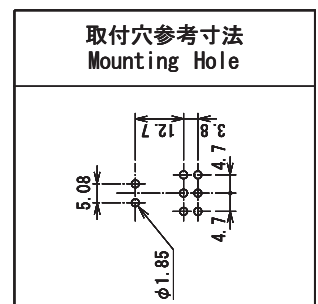
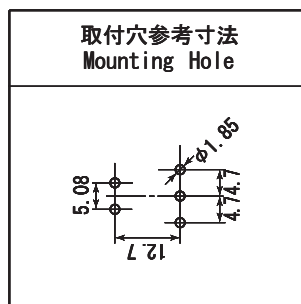


MS-500A-B-RI

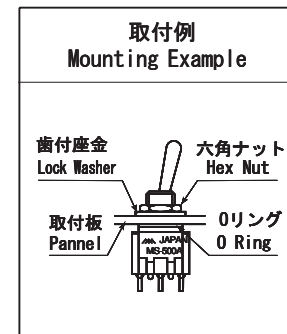
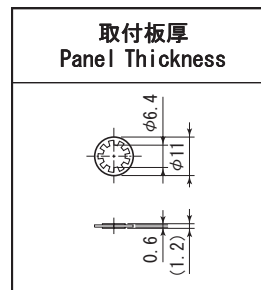
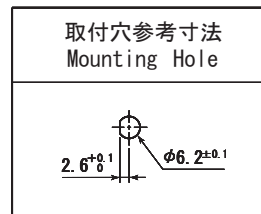
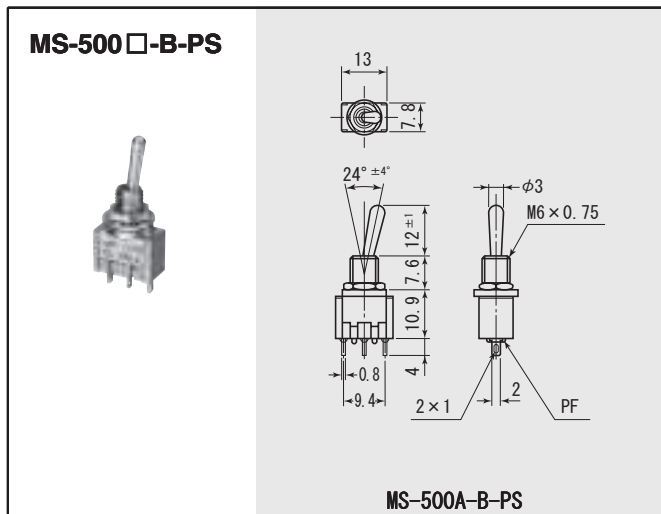


MS-500F-B-RI

回路 CIRCUIT	レバー振れ角度 Lever Travel Angle
A	24°±4°
B	20°±4°
C・D・E	12°±2°
F	24°±4°
G	20°±4°
H・I・J	12°±2°



MS-500シリーズ／SERIES 防滴タイプ／Splash Proof Type



注 記：本製品はパネルシールを目的としたスイッチであり、水中で使用するものではありません。

スイッチに水がかかった場合は、必ず水分を拭き取ってからご使用下さい。

NOTE：This switch is designed for sealing the panel and prevent a water leakage into the equipment, however not designed for the use in the water.

If the switch is covered with water, please be sure to wipe off the water before using.