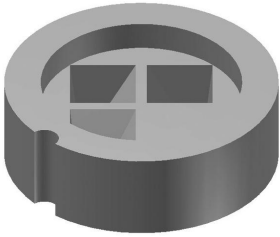


Data sheet Product MS 53 3

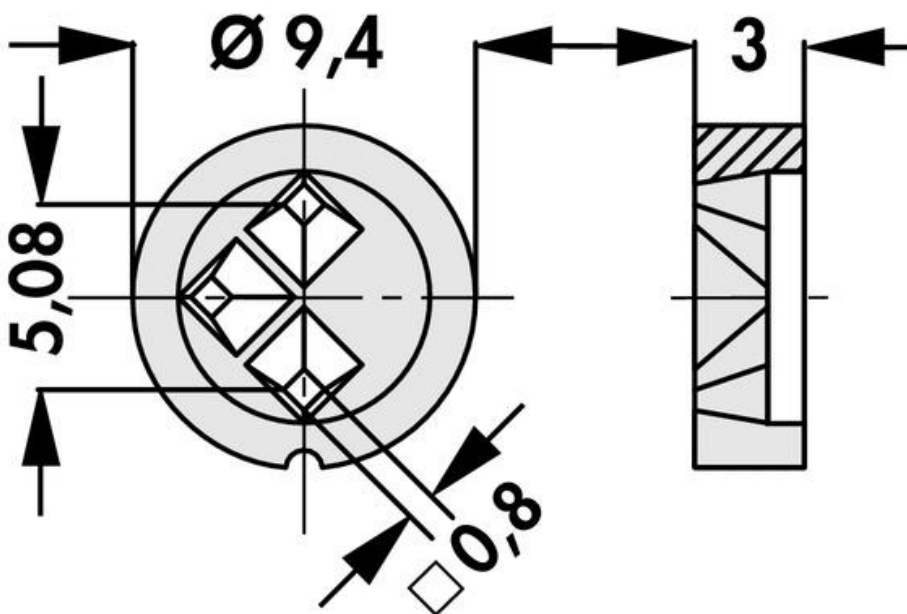


Accessories for electronic components>Mounting material for single semiconductors and heatsinks>Mounting pads for semiconductor-design TO 5

Features

for transistor:	TO 5
material:	polyamide 6, GF reinforced
temperature range:	permanent up to 100°C
class of inflammability:	UL 94 V-0

Technical Drawing



Fischer Elektronik GmbH & Co. KG
DEUTSCHLAND • GERMANY • ALLEMAGNE

Nottebohmstraße 28
58511 Lüdenscheid

Telefon +49 2351 435-0
Telefax +49 2351 45754

info@fischerelektronik.de
www.fischerelektronik.de