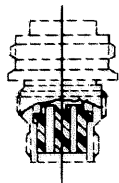
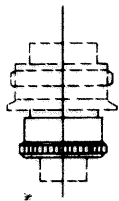


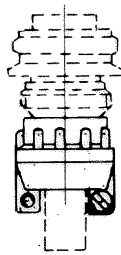
ACCESSORIES
(NOT PART OF STANDARD ASSEMBLY)



GROMMET
10-40800 SERIES



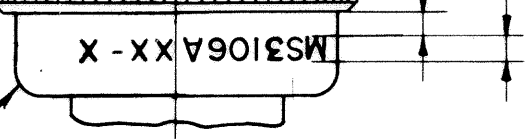
GROMMET
RETAINING NUT
SEE TABLE



CABLE CLAMP
10-35900-XX3 SERIES

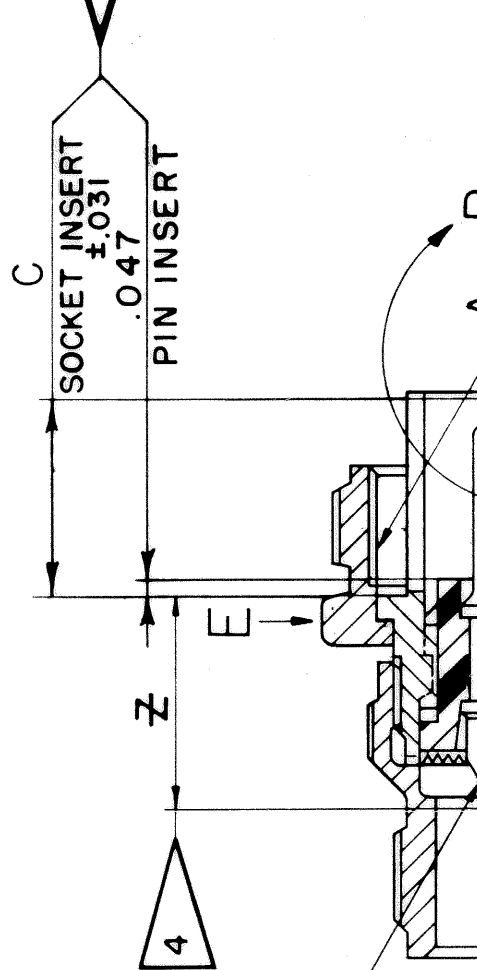


SHELL ASSY
SEE COLUMN



MS3106A XX-X

VIEW AT
10 SL ON



SEE SOLDER
WELL DATA

DIMENSIONS

ASSEMBLY NO.	MS NO.	A THREAD CLASS 2B	C +047 -000	D	J ±005	Q DIA MAX	V THREAD (PLATED) CLASS 2A
10-168608 -	3106 A 8S -	. 5000-28 UNEF	. 531	. 859 ±.030	. 531	. 741	. 5000-28 UNEF
10-168610 -	10S -	. 6250-24 NEF	. 531	. 937 ±.030	. 531	. 869	. 5000-28 UNEF
10-168611 -	10SL -	. 6250-24 NEF	. 531	. 937 ±.025	. 531	. 946	. 6250-24 NEF
10-168612 -	12S -	. 7500-20 UNEF	. 531	. 937 ±.030	. 531	. 995	
10-168613 -	12 -	. 7500-20 UNEF	. 719	1.124 ±.030	. 719	. 995	
10-168614 -	14S -	. 8750-20 UNEF	. 531	. 937 ±.030	. 531	1.123	. 7500-20 UNEF
10-168615 -	14 -	. 8750-20 UNEF	. 719	1.124 ±.030	. 719	1.123	. 7500-20 UNEF
10-168616 -	16S -	1.0000-20 UNEF	. 531	. 937 ±.030	. 531	1.250	. 8750-20 UNEF
10-168617 -	16 -	1.0000-20 UNEF	. 719	1.124 ±.030	. 719	1.250	. 8750-20 UNEF
10-168618 -	18 -	1.1250-18 NEF		1.219 ±.030		1.333	1.0000-20 UNEF
10-168620 -	20 -	1.2500-18 NEF		1.125 ±.030		1.461	1.1875-18 NEF
10-168622 -	22 -	1.3750-18 NEF		1.219 ±.030		1.588	1.1875-18 NEF