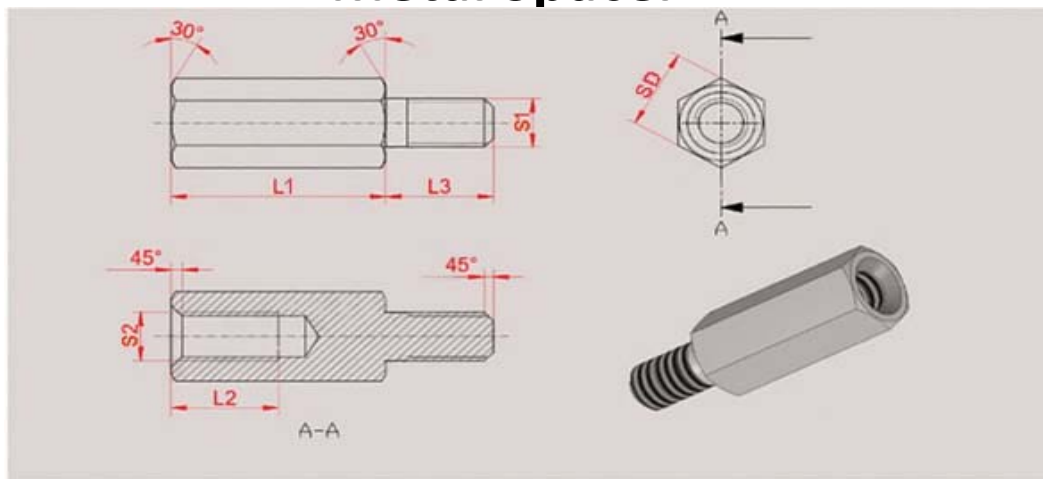


Metal Spacer



Típus	SD	L1	L2	L3	S1/S2
MSB5IM30M308-05	5	5	2,5	8	M3/M3
MSB5IM30M308-06	5	6	3	8	M3/M3
MSB5IM30M308-07	5	7	4	8	M3/M3
MSB5IM30M308-08	5	8	5	8	M3/M3
MSB5IM30M308-09	5	9	5	8	M3/M3
MSB5IM30M308-10	5	10	5	8	M3/M3
MSB5IM30M308-11	5	11	6	8	M3/M3
MSB5IM30M308-12	5	12	6	8	M3/M3
MSB5IM30M308-13	5	13	8	8	M3/M3
MSB5IM30M308-14	5	14	10	8	M3/M3
MSB5IM30M308-15	5	15	10	8	M3/M3
MSB5IM30M308-16	5	16	10	8	M3/M3
MSB5IM30M308-17	5	17	10	8	M3/M3
MSB5IM30M308-18	5	18	10	8	M3/M3
MSB5IM30M308-19	5	19	10	8	M3/M3
MSB5IM30M308-20	5	20	10	8	M3/M3
MSB5IM30M308-21	5	21	10	8	M3/M3
MSB5IM30M308-22	5	22	10	8	M3/M3
MSB5IM30M308-23	5	23	10	8	M3/M3
MSB5IM30M308-24	5	24	10	8	M3/M3
MSB5IM30M310-25	5	25	10	10	M3/M3
MSB5IM30M310-26	5	26	10	10	M3/M3
MSB5IM30M310-27	5	27	10	10	M3/M3
MSB5IM30M310-28	5	28	10	10	M3/M3
MSB5IM30M310-29	5	29	10	10	M3/M3
MSB5IM30M310-30	5	30	10	10	M3/M3
MSB5IM30M310-31	5	31	10	10	M3/M3
MSB5IM30M310-32	5	32	10	10	M3/M3
MSB5IM30M310-33	5	33	10	10	M3/M3
MSB5IM30M310-34	5	34	10	10	M3/M3
MSB5IM30M310-35	5	35	10	10	M3/M3
MSB5IM30M310-40	5	40	10	10	M3/M3
MSB5IM30M310-45	5	45	10	10	M3/M3
MSB5IM30M310-50	5	50	10	10	M3/M3

Material: Brass, nickel-plated RoHS Compliant
Tolerance: ±0,1mm