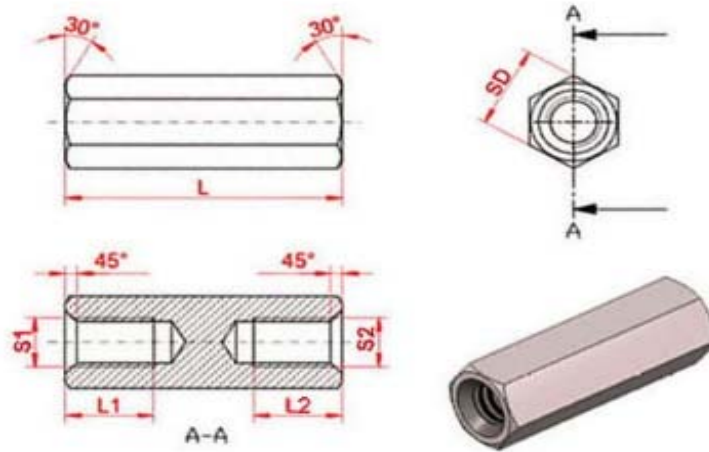


Metal Spacer



Típus	SD	L	L1/L2	S1/S2
MSB5IM3IM3-05	5	5	through	M3/M3
MSB5IM3IM3-06	5	6	through	M3/M3
MSB5IM3IM3-07	5	7	through	M3/M3
MSB5IM3IM3-08	5	8	through	M3/M3
MSB5IM3IM3-09	5	9	through	M3/M3
MSB5IM3IM3-10	5	10	through	M3/M3
MSB5IM3IM3-11	5	11	through	M3/M3
MSB5IM3IM3-12	5	12	through	M3/M3
MSB5IM3IM3-13	5	13	through	M3/M3
MSB5IM3IM3-14	5	14	through	M3/M3
MSB5IM3IM3-15	5	15	through	M3/M3
MSB5IM3IM3-16	5	16	8/8	M3/M3
MSB5IM3IM3-17	5	17	8/8	M3/M3
MSB5IM3IM3-18	5	18	8/8	M3/M3
MSB5IM3IM3-19	5	19	8/8	M3/M3
MSB5IM3IM3-20	5	20	10/10	M3/M3
MSB5IM3IM3-21	5	21	10/10	M3/M3
MSB5IM3IM3-22	5	22	10/10	M3/M3
MSB5IM3IM3-23	5	23	10/10	M3/M3
MSB5IM3IM3-24	5	24	10/10	M3/M3
MSB5IM3IM3-25	5	25	10/10	M3/M3
MSB5IM3IM3-26	5	26	10/10	M3/M3
MSB5IM3IM3-27	5	27	10/10	M3/M3
MSB5IM3IM3-28	5	28	10/10	M3/M3
MSB5IM3IM3-29	5	29	10/10	M3/M3
MSB5IM3IM3-30	5	30	10/10	M3/M3
MSB5IM3IM3-31	5	31	10/10	M3/M3
MSB5IM3IM3-32	5	32	10/10	M3/M3
MSB5IM3IM3-33	5	33	10/10	M3/M3
MSB5IM3IM3-34	5	34	10/10	M3/M3
MSB5IM3IM3-35	5	35	10/10	M3/M3
MSB5IM3IM3-40	5	40	10/10	M3/M3
MSB5IM3IM3-45	5	45	10/10	M3/M3
MSB5IM3IM3-50	5	50	10/10	M3/M3

Material: Brass, nickel-plated RoHS Compliant
Tolerance: ±0,1mm