



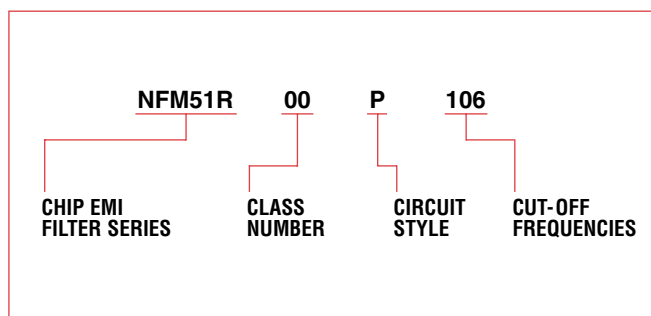
The NFM51R Series chip is an efficient signal line noise suppression filter for high-speed digital signal lines where base-band frequencies and noise band frequencies are very close.

Murata Electronics has combined its superior ceramic technologies with a unique circuit configuration to realize outstanding noise suppression effect in these applications. The NFM51R Series assures noise reduction to meet the specifications of CISPR, FCC, etc.

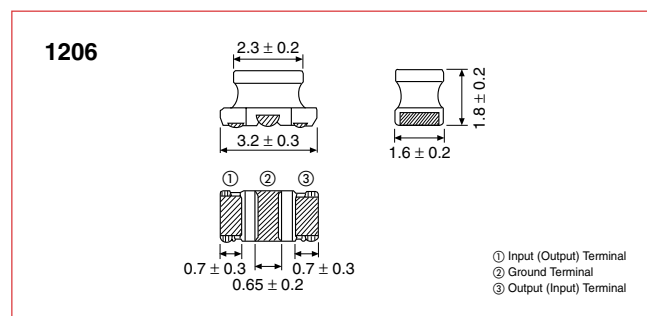
### APPLICATIONS

Noise suppression for compact digital instruments, laptop personal computers, HDTV, EDTV, portable VTR, etc.

### PART NUMBERING SYSTEM



### DIMENSIONS: mm



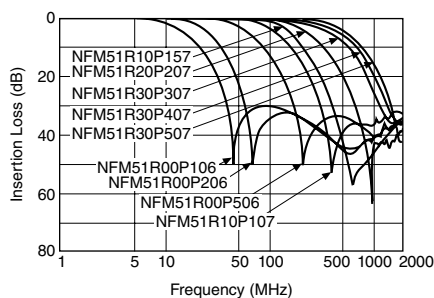
### SPECIFICATIONS

Part Number	Cut-off Frequency (MHz)	Attenuation (dB min.)										Rated Voltage (VDC)	Rated Current (mA)	Operating Temperature Range
		10MHz	20MHz	50MHz	100MHz	150MHz	200MHz	300MHz	400MHz	500MHz	1GHz			
NFM51R00P106	10	※	5	25	25	—	25	—	—	30	30	25	200	-40°C ~ +85°C
NFM51R00P206	20	—	※	5	25	—	25	—	—	30	30			
NFM51R00P506	50	—	—	※	10	—	30	—	—	30	30			
NFM51R10P107	100	—	—	—	※	—	5	—	—	20	30			
<b>NEW</b> NFM51R10P157	150	—	—	—	—	※	—	10	20	30	30			
NFM51R20P207	200	—	—	—	—	—	※	—	—	10	30			
<b>NEW</b> NFM51R30P307	300	—	—	—	—	—	—	※	—	5	15			
<b>NEW</b> NFM51R30P407	400	—	—	—	—	—	—	—	※	—	10			
NFM51R30P507	500	—	—	—	—	—	—	—	—	※	10			

※ 6dB max.

### TYPICAL INSERTION LOSS CHARACTERISTICS

#### NFM51R Series



#### Comparison with Conventional Chip

The steep attenuation characteristics of the NFM51R Series provide excellent EMI suppression without affecting the desired signal.

