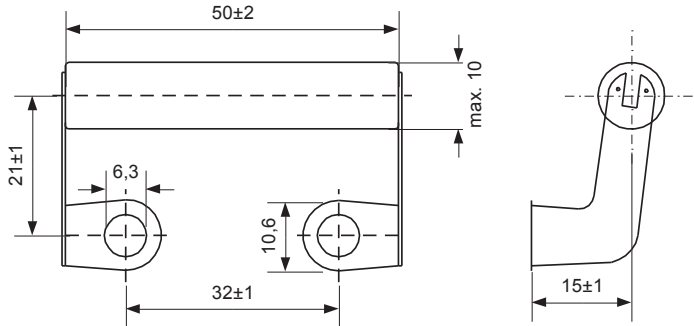


Discharge / Balancing Resistor

Resistor for discharge and / or voltage balancing.
Suitable for can diameter 65 / 75 / 90 mm
Other values on request

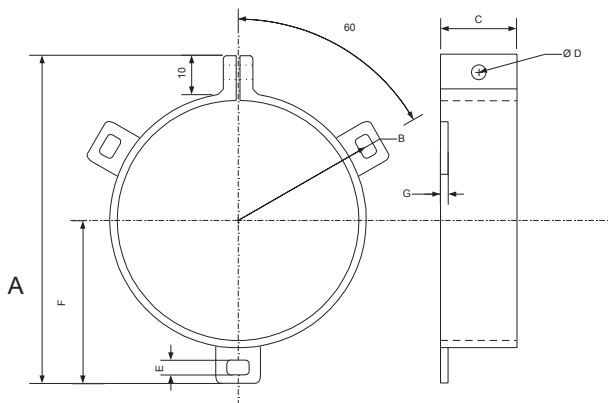
Rated Voltage 700Vdc
Temp. range -55 to +105°C
Tolerance ±5%
Resistance 68 kΩ
47 kΩ



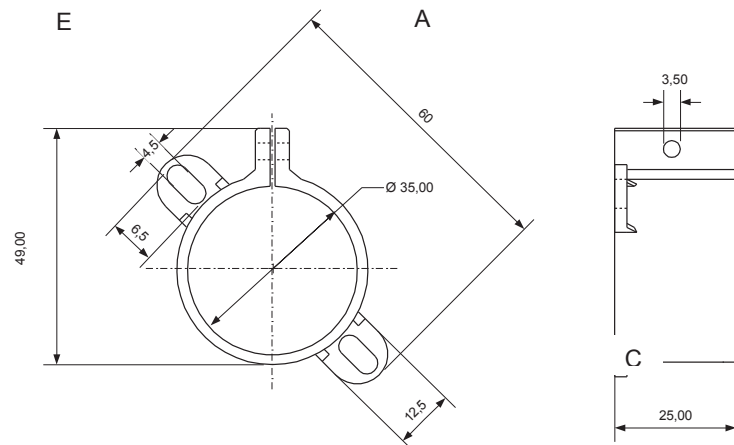
Nylon Clamps

Can diameter 35 mm
Order code NRS 35

Can diameter 50 / 65 / 75 / 90



Can diameter 35



Order Code	CAN Ø	A	B	C	D	E	F	G
NRS 35	35	60		25	3,5	4,5		2,5
NRS 50	50	74	32	25	4	4,7	37	2,5
NRS 65	65	87	38,5	25	4	4,7	43,5	2,5
NRS 75	75	100	45	25	4	4,7	50	2,5
NRS 90	90	115	60	25	4	4,7	65	2,5
Material : Nylon - all dimensions in mm								

[BACK TO INDEX](#)
[BACK TO START](#)