



TAI-SAW TECHNOLOGY CO., LTD.

No. 3, Industrial 2nd Rd., Ping-Chen Industrial District,
Taoyuan, 324, Taiwan, R.O.C.

TEL: 886-3-4690038 FAX: 886-3-4697532

E-mail: tstsales@mail.taisaw.com Web: www.taisaw.com

Approval Sheet For Product Specification

Issued Date:

Product Name: SAW Resonator 433.920 MHz SMD 5X5 mm

TST Parts No.: TC433ED_A

Customer Parts No.: _____

Company: _____
Division: _____
Approved by : _____
Date: _____

Checked by: _____ Asin Lin

Approval by: _____ Francis Chen

Date: _____ 2004/7/21



TAI-SAW TECHNOLOGY CO., LTD.

No. 3, Industrial 2nd Rd., Ping-Chen Industrial District,
Taoyuan, 324, Taiwan, R.O.C.

TEL: 886-3-4690038 FAX: 886-3-4697532

E-mail: tstsales@mail.taisaw.com Web: www.taisaw.com

SAW Resonator 433.92 MHz

MODEL NO.: TC433ED_A

REV. NO.:7

A. FEATURES:

1. 1-Port Resonator.

B. MAXIMUM RATING:

1. Input Power Level: 0 dBm

2. DC voltage: 12 V

3. Operating Temperature: -40°C to +85°C

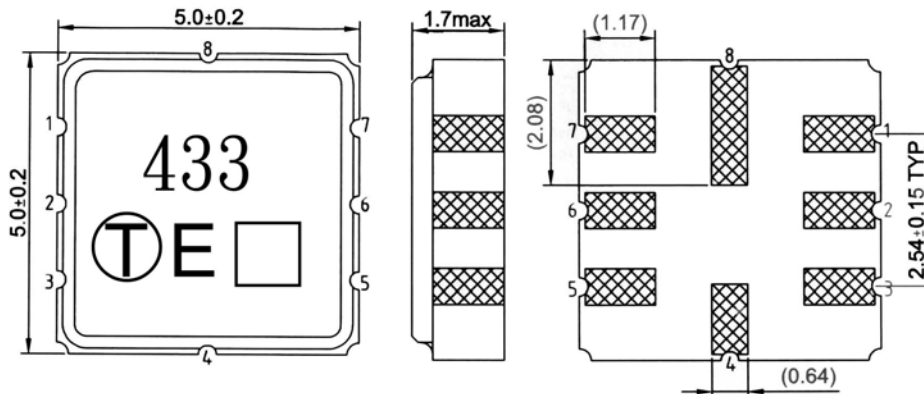
4. Storage Temperature: -40°C to +85°C

C. ELECTRICAL CHARACTERISTICS:

Characteristic	Units	Minimum	Typical	Maximum
Center frequency Fr	MHz	433.845	433.92	433.995
Insertion Loss IL	dB	-	1.0	2.0
Unloaded Quality factor, Q_0		-	14500	-
Loaded Quality factor, Q_L		-	2500	-
Motional capacitance C1	fF	-	2.19	-
Motional inductance L1	μH	-	61.36	-
Motional resistance R1	Ohm	-	11.803	25
Parallel capacitance Co	pF	-	3.3	-
Temp.coeff.	ppm/c*2	-	0.032	-
Turnover T_0	deg.C	20	-	50
Package size		SMD5X5X1.7mm		

RoHS Compliant
Lead free
Lead-free soldering

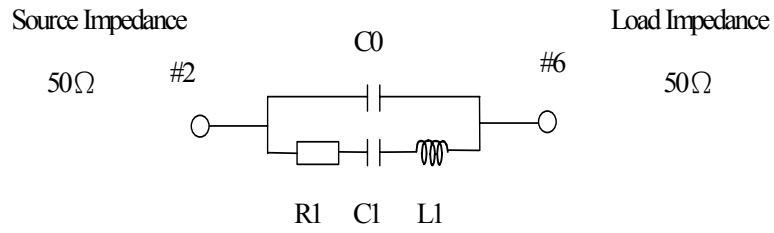
D. OUTLINE DRAWING:



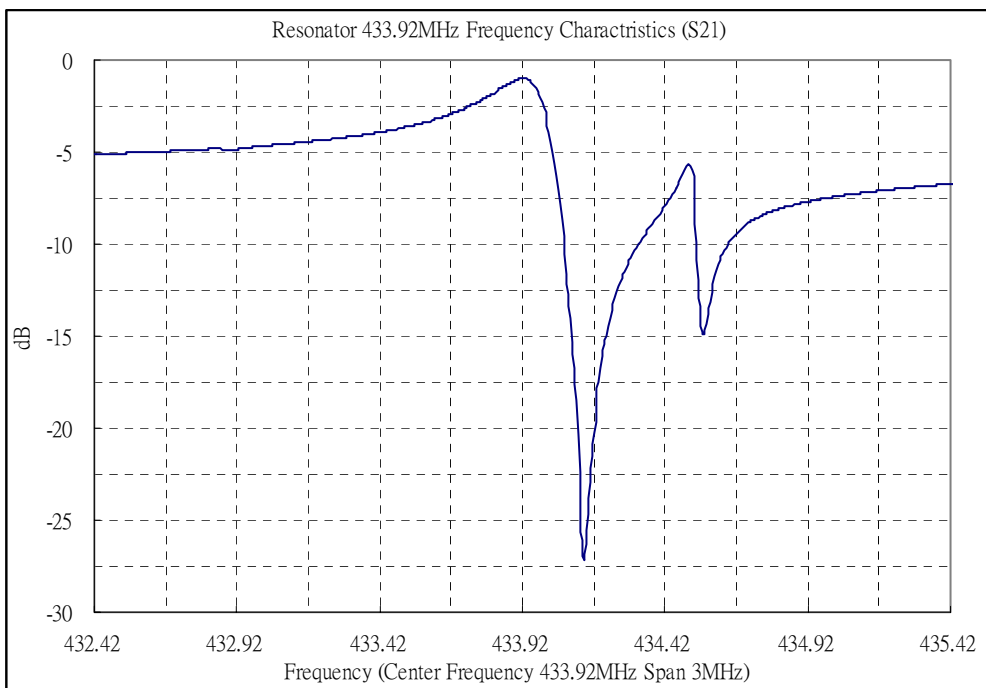
#2 : Input or Output
 #6 : Output or Input
 #4、8 : Case Ground
 #1、3、5、7 : Ground
 □ : Date code
 Unit : mm

E. EQUIVALENT CIRCUIT:

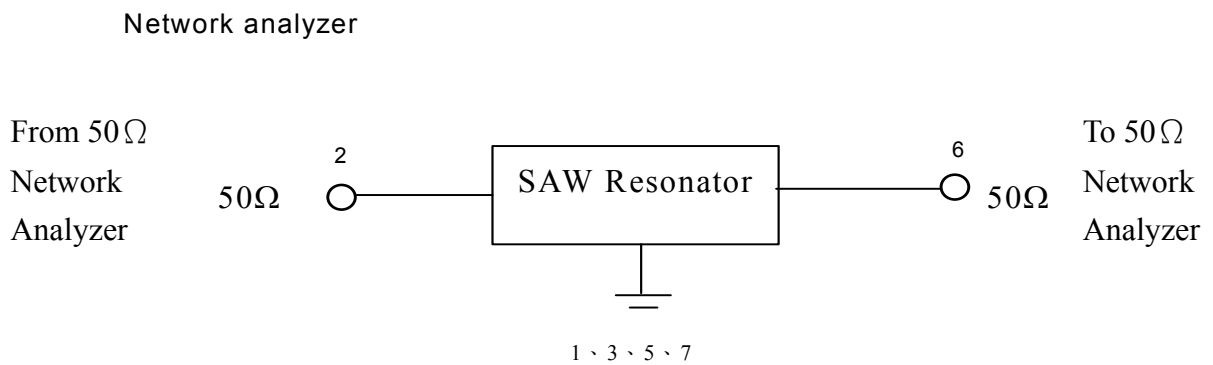
One-Port Resonator:



F. FREQUENCY CHARACTERISTICS:

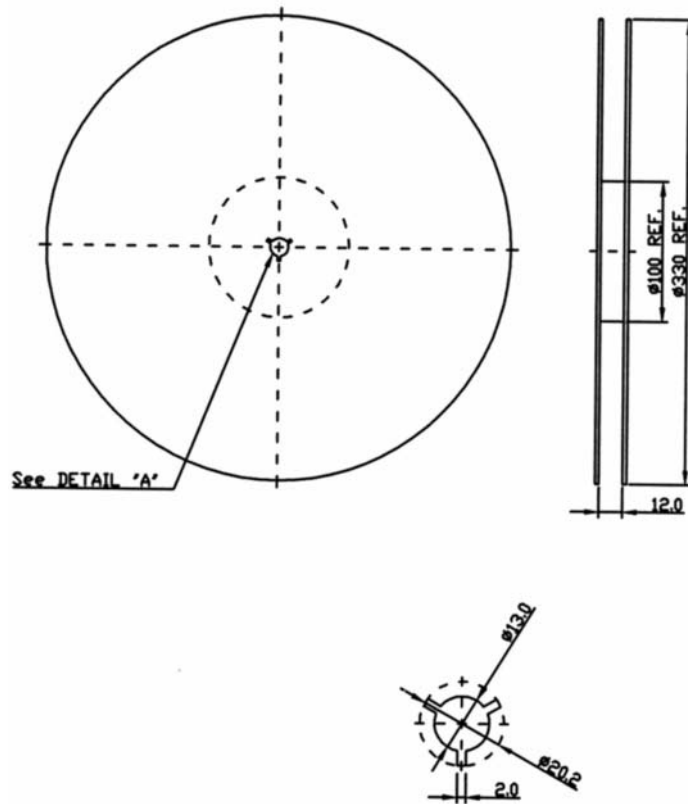


G. TEST CIRCUIT:



H. PACKING:

1. REEL DIMENSION



2. TAPE DIMENSION

