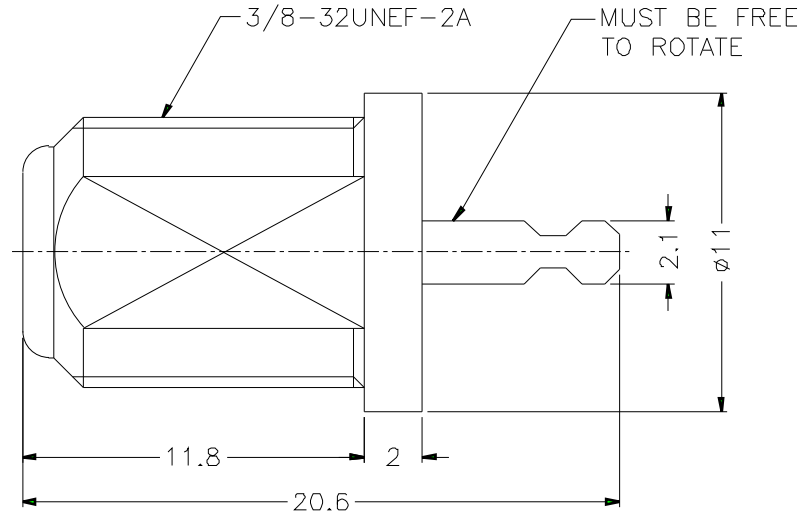
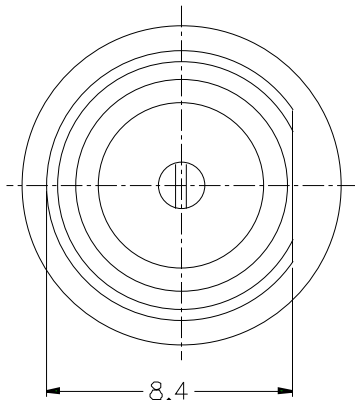


| | | | | | | | | |
|-----------|------|------------------------------|---|---|---|---|---|---|
| 1 | 2 | | 3 | 4 | 5 | 6 | 7 | 8 |
| REVISIONS | | | | | | | | |
| ISS | ZONE | DESCRIPTION\PER REQUEST\DATE | | | | | | |
| | | | | | | | | |



NOTES: FINISH (PLATING THICKNESS IN MICRO-INCHES)
 1. BRASS PER QQ-B-626
 2. NICKEL PL. 80 MIN. THICK OVER COPPER STRIKE
 3. BRIGHT TIN PL. 80 MIN. THICK OVER COPPER PL. 100 MIN.

| | | | |
|---------------------------------------|---|------|--|
| DIMENSIONS ARE IN MILLIMETERS | | | |
| UNLESS OTHERWISE SPECIFIED TOLERANCES | | | |
| 0.5-6 | = | ±0.2 | |
| 6-30 | = | ±0.4 | |
| 30-120 | = | ±0.6 | |
| 120-315 | = | ±1 | |
| 315-1000 | = | ±1.6 | |
| 1000-2000 | = | ±2.4 | |

| | | | |
|----------|---------------|-----------|--|
| PART NO. | OS-7223L-NPPT | | |
| APPROVED | DATE | 10-11-01' | |
| CHECKED | DATE | 10-11-01' | |
| DRAWN | DATE | 10-11-01' | |
| FILE NO. | | | |

| | |
|-----------------|-------------------|
| Amphenol | |
| TITLE | F FEMALE PC MOUNT |
| DRAWING NO. | OS-7223L-NPPT |
| ITEM NO. | |

| | | | | | |
|-----|-------------|----------|---------|------|-------------|
| 3 | CONTACT PIN | NOTE 1 | NOTE 3 | | |
| 2 | INSULATOR | PP | NATURAL | | |
| 1 | BODY | NOTE 1 | NOTE 2 | | |
| NO. | DESCRIPTION | MATERIAL | FINISH | Q'TY | DRAWING NO. |

| | | | | | | | |
|---|---|---|---|---|---|---|---|
| 1 | 2 | 3 | 4 | 5 | 6 | 7 | 8 |
|---|---|---|---|---|---|---|---|