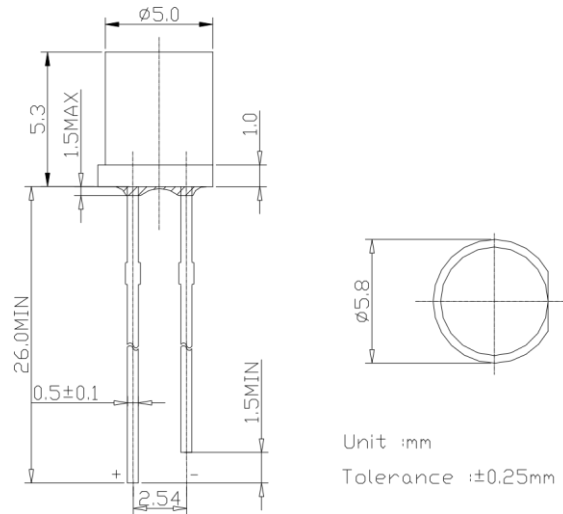


■Features

- 5mm Standard Directivity
- Water clear Type
- Superior Weather-resistance
- UV Resistant Epoxy
- RoHS compliant

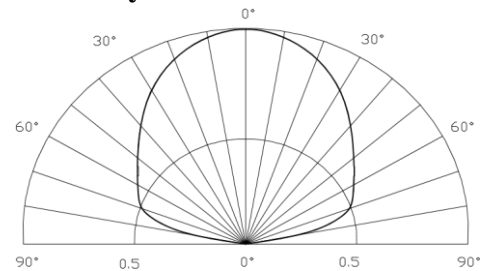
■Applications

- General Purpose Indicators
- Small Area Illuminations
- Back Lighting

■Outline Dimension

■Absolute Maximum Rating (Ta=25°C)

Item	Symbol	Value	Unit
DC Forward Current	I _F	30	mA
Pulse Forward Current*	I _{FP}	100	mA
Reverse Voltage	V _R	5	V
Power Dissipation	P _D	120	mW
Operating Temperature	T _{opr}	-30~ +80	°C
Storage Temperature	T _{stg}	-30 ~+100	°C
Lead Soldering Temperature	T _{sol}	260°C/5sec	-

*Pulse width Max.10ms Duty ratio max 1/10

■Directivity

■Electrical -Optical Characteristics (Ta=25°C)

Item	Symbol	Condition	Min.	Typ.	Max.	Unit
DC Forward Voltage	V _F	I _F =20mA	2.8	3.4	4.0	V
DC Reverse Current	I _R	V _R =5V		-	10	μA
Luminous Intensity	I _v	I _F =20mA	1560	2180	3000	mcd
Chromaticity Coordinate*	x	I _F =20mA	0.27	0.31	0.33	
	y	I _F =20mA	0.28	0.30	0.32	
50% Power Angle	2θ _{1/2}	I _F =20mA	-	140	-	deg

*Please refer to CIE 1931 chromaticity diagram.