

ROHS Compliant

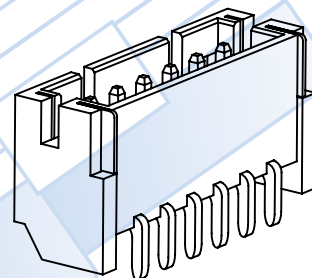
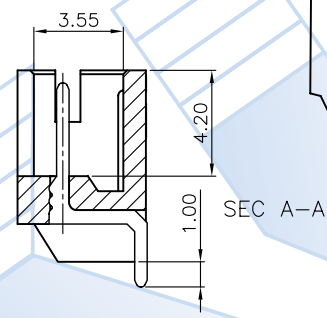
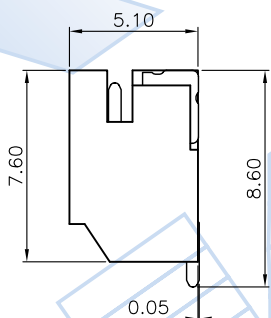
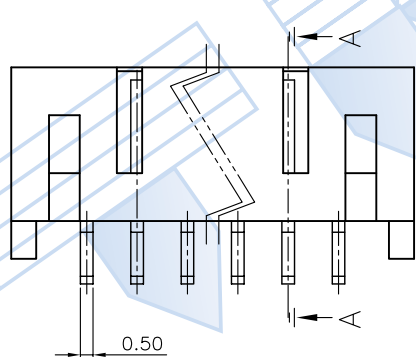
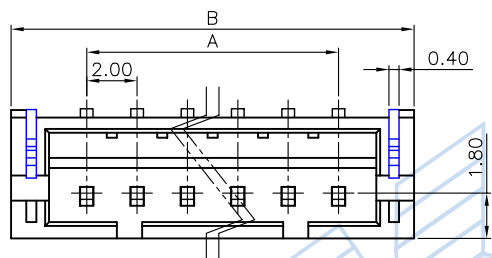


台灣駿品端子股份有限公司

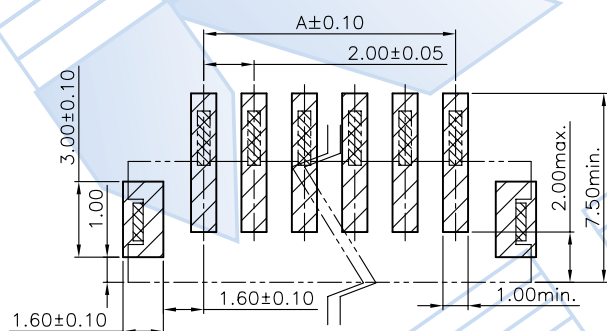
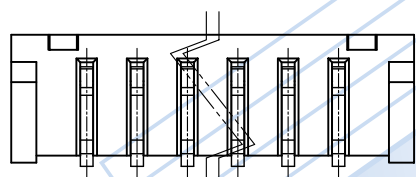
TAIWAN KING PIN TERMINAL CO.,LTD

台北縣樹林市俊德街 23 號

TEL:886-2-26895596.26886112 FAX:886-2-26886110
E-mail:info@tkp.com.tw http://www.tkp.com.tw



- NOTE :
- * Material : Nylon UL 94V-0 (Lead Free)
 - * Standard color : White
 - * Contact : Phosphor Bronze
 - * Finish : Plated Tin/Lead over Nickel
 - * Current rating : 1A, AC/DC
 - * Voltage rating : 125V, AC/DC
 - * Mates with H110 series housings
 - * 2-25 circuits available



RECOMMENDED PCB LAYOUT

Circuits	Part No.	Dim. A	Dim. B	Circuits	Part No.	Dim. A	Dim. B
2	P110L-02SMT(LF)	2.00	8.00	14	P110L-14SMT(LF)	26.00	32.00
3	P110L-03SMT(LF)	4.00	10.00	15	P110L-15SMT(LF)	28.00	34.00
4	P110L-04SMT(LF)	6.00	12.00	16	P110L-16SMT(LF)	30.00	36.00
5	P110L-05SMT(LF)	8.00	14.00	17	P110L-17SMT(LF)	32.00	38.00
6	P110L-06SMT(LF)	10.00	16.00	18	P110L-18SMT(LF)	34.00	40.00
7	P110L-07SMT(LF)	12.00	18.00	19	P110L-19SMT(LF)	36.00	42.00
8	P110L-08SMT(LF)	14.00	20.00	20	P110L-20SMT(LF)	38.00	44.00
9	P110L-09SMT(LF)	16.00	22.00	21	P110L-21SMT(LF)	40.00	46.00
10	P110L-10SMT(LF)	18.00	24.00	22	P110L-22SMT(LF)	42.00	48.00
11	P110L-11SMT(LF)	20.00	26.00	23	P110L-23SMT(LF)	44.00	50.00
12	P110L-12SMT(LF)	22.00	28.00	24	P110L-24SMT(LF)	46.00	52.00
13	P110L-13SMT(LF)	24.00	30.00	25	P110L-25SMT(LF)	48.00	54.00

PART NO.	P110L-XXSMT(LF)				Part NO.	Material	Color	Remark	APPROVAL
TITLE	2.00mm Wire to Board								DRAWN: 黃元珍
THIRD ANGLE	SCALE	UNIT	SHEET NO	TOLERANCE	DATE	ODD NUMBERS	REV	CHECKED: 王忠	
	2:1	mm	1/1	.X± 0.30 .XXX±0.10 .XX± 0.20 ANGLE±2°	2006.12.13	ENG950001	A0	APPROVED: 馮凌杰	
	200-054		A200-013						