



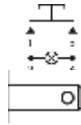
**P1 Series | Illuminated single-pole momentary switch independent light 3A quick connection  
2.8 black body**



sample image

**PRODUCT CODE: P12N31G00000**

Wiring diagrams



Terminal type



Accessories

Body colour



Actuator colour



Marking



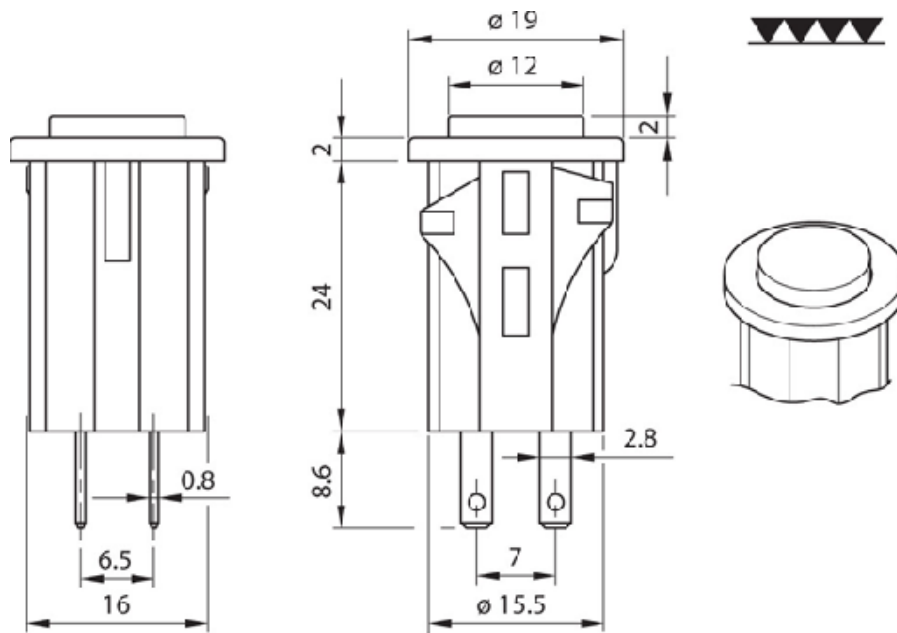
**Rating**

3 (1) A / 250 VAC  
0.5 A / 250 VAC - 5E4  
T125 °C

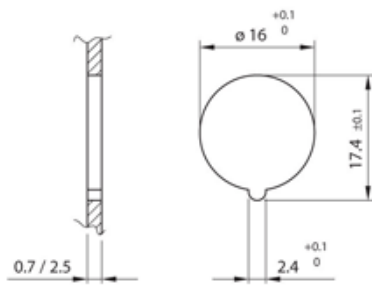
**Approvals**



**Dimensions (mm)**



**Cut out (mm)**



Stampa scheda