

ROHS Compliant

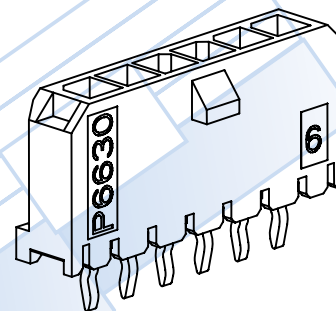
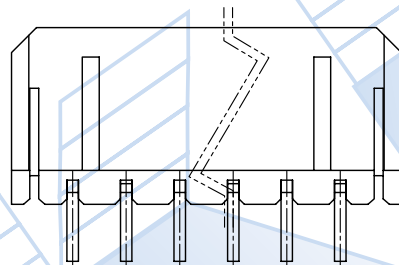
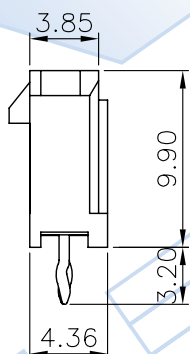
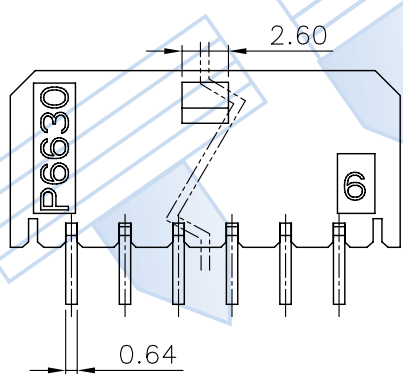
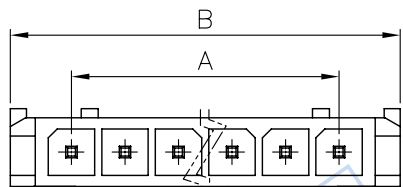


台灣駿品端子股份有限公司

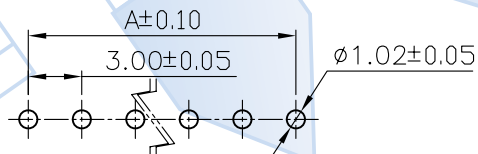
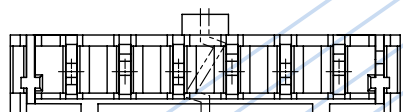
TAIWAN KING PIN TERMINAL CO.,LTD

台北縣樹林市俊德街 23 號

TEL:886-2-26895596.26886112 FAX:886-2-26886110
E-mail:info@tkp.com.tw http://www.tkp.com.tw



- NOTE :
- * Material : Nylon UL 94V-0(Lead Free)
 - * Standard color : Black
 - * Contact : Brass
 - * Finish : Plated Tin over Nicked
 - * Current rating : 4A, AC/DC
 - * Voltage rating : 250V, AC/DC
 - * Mates with H6630R1 series housings
 - * 2-12 circuits available
 - * Single Row



RECOMMENDED PCB LAYOUT

| CIRCUITS | PART NO. | DIM. A | DIM. B |
|----------|-----------------|--------|--------|
| 2 | P6630I-1x2(LF) | 3.00 | 9.65 |
| 3 | P6630I-1x3(LF) | 6.00 | 12.65 |
| 4 | P6630I-1x4(LF) | 9.00 | 15.65 |
| 5 | P6630I-1x5(LF) | 12.00 | 18.65 |
| 6 | P6630I-1x6(LF) | 15.00 | 21.65 |
| 7 | P6630I-1x7(LF) | 18.00 | 24.65 |
| 8 | P6630I-1x8(LF) | 21.00 | 27.65 |
| 9 | P6630I-1x9(LF) | 24.00 | 30.65 |
| 10 | P6630I-1x10(LF) | 27.00 | 33.65 |
| 11 | P6630I-1x11(LF) | 30.00 | 36.65 |
| 12 | P6630I-1x12(LF) | 33.00 | 39.65 |

| PART NO. | P6630I-1xX(LF) | Part NO. | Material | Color/Finish | Remark | APPROVAL | | |
|-------------|---------------------|----------|----------|--|------------|-------------|-----|---------------|
| TITLE | 3.00mm Wire to Wire | | | | | DRAWN: 黃元珍 | | |
| THIRD ANGLE | SCALE | UNIT | SHEET NO | TOLERANCE | DATE | ODD NUMBERS | REV | CHECKED: 王忠 |
| | 1.5:1 | mm | 1/1 | .X± 0.30 .XXX±0.10 .XX± 0.20 ANGLE±2° | 2006.12.12 | ENG950001 | A0 | APPROVED: 馮凌杰 |
| | 300-017 | | C300-006 | | | | | |