

ROHS Compliant

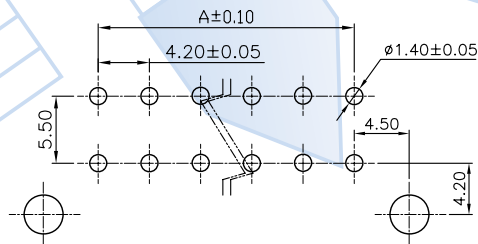
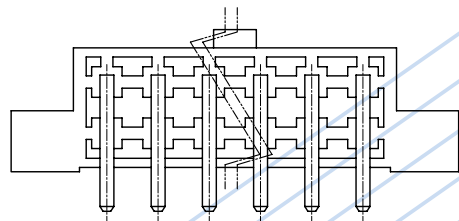
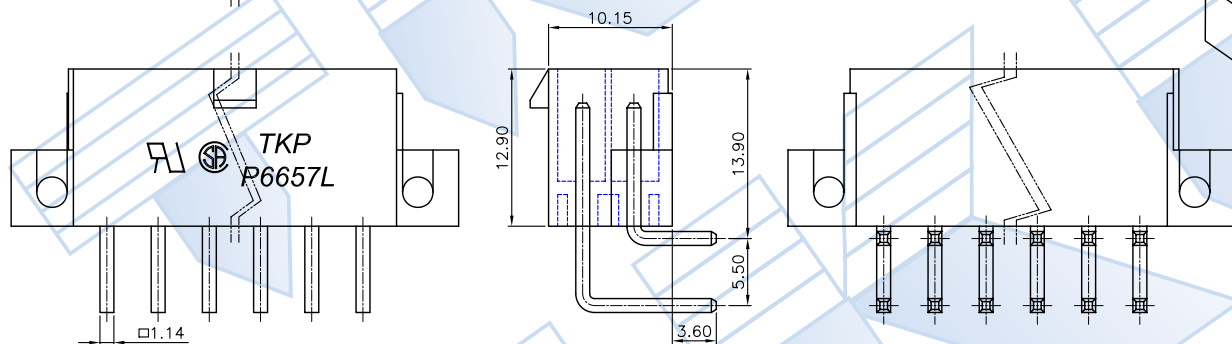
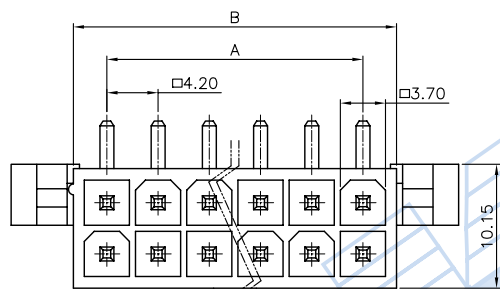


台灣駿品端子股份有限公司

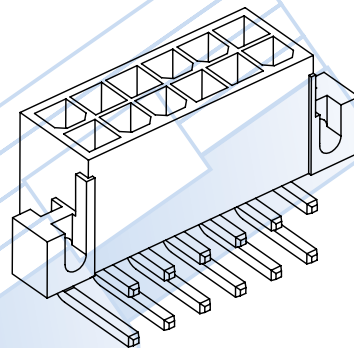
TAIWAN KING PIN TERMINAL CO.,LTD

台北縣樹林市俊德街 23 號

TEL:886-2-26895596,26886112 FAX:886-2-26886110
E-mail:info@tkp.com.tw http://www.tkp.com.tw



RECOMMENDED PCB LAYOUT



NOTE

- * Material : Nylon UL 94V-2 or UL 94V-0
- * Color : Natural or White
- * Contact : 1.14mm Tin-plated copper alloy square pins
- * Electrical rating : UL 250V 5A , AC/DC
CSA 250V 4A , AC/DC
TUV 250V 7A , AC/DC
- * Positive housing locks
- * With flange
- * Mates with H6657R1 receptacle housings
- * Dual row , 2-24 circuits available



Circuits	Part No.	Dim. A	Dim. B	Circuits	Part No.	Dim. A	Dim. B
2	P6657L-02B	—	5.50	14	P6657L-14B	25.20	30.70
4	P6657L-04B	4.20	9.70	16	P6657L-16B	29.40	34.90
6	P6657L-06B	8.40	13.90	18	P6657L-18B	33.60	39.10
8	P6657L-08B	12.60	18.10	20	P6657L-20B	37.80	43.30
10	P6657L-10B	16.80	22.30	22	P6657L-22B	42.00	47.50
12	P6657L-12B	21.00	26.50	24	P6657L-24B	46.20	51.70



PART NO.	P6657L-XXB			Part NO.	Material	Color	Remark	APPROVAL
TITLE	4.20mm Wire to Wire			P6657L-XXB	Nylon UL 94V-2	Natural	No mark	DRAWN: 楊云
THIRD ANGLE	SCALE	UNIT	SHEET NO	P6657L-XXB-V0	Nylon UL 94V-0	White	No mark	CHECKED: 王忠
	1.5:1	mm	1/1	P6657L-XXB1-V0	Nylon UL 94V-0	White	Add mark	APPROVED: 馮凌杰
				TOLERANCE	DATE	ODD NUMBERS	REV	
				.X± 0.30 .XXX±0.10	2006.05.17	ENG950001	A0	
				.XX± 0.20 ANGLE±2°				

420-034

C420-006