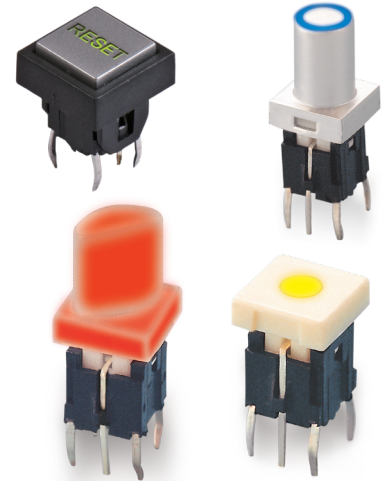


» **Features**

- Contact Reliability Clip type contacts are applied to ensure high reliability.
- For PC Board Terminals are all IC pitched (multiple of 2.54mm). By a particular terminal shape, the switch tightly when solder-dipped.
- Protection from Flux Entry Terminals are all completely sealed by epoxy.
- Many LED lights are available.
- Various symbols can be engraved on the cap.
- Any customization for cap & symbol is welcomed.

» **Applications**

- Operating switches in all types of electronic equipment such as audio apparatus, office equipment , communications apparatus, TV sets, VCRs, etc.



» **Specifications**

Rating	50mA 12VDC
Insulation Resistance	100MΩ Min (at 500 VDC)
Dielectric Strength	AC 250V (50/60 Hz for 1 minute)
Contact Resistance	100mΩ Max. (Initial)
Electrically Life	300,000 Cycles Min
Ambient Temperature	-20°C~ +70°C
Operating Force	160 ± 50gf
Travel	0.25 ± 0.1 mm

» **LED Specifications**

Color	VR	IF	Recommended Operating Current	VF	
				Nom	Max
Red	DC 5V	20mA	20mA	1.7V	2.4V
Green	DC 5V	20mA	20mA	1.9V	2.4V
Yellow	DC 5V	20mA	20mA	1.9V	2.4V
Blue	DC 5V	20mA	20mA	3.0V	3.6V
White	DC 5V	20mA	20mA	3.0V	3.6V

For the specification about the other LEDs, please contact with sales department

» **Product selection**

PB 614

BUTTON TYPE		FUNCTION		LED BRIGHTNESS		LASER ETCHING	
1F		Non-LED		Standard		01	
2F		Standard type		C High Brightness		02	
3F		M	SMT type			03	OK
1		LED				04	
4		L	Standard type			05	
5		ML	SMT type			06	
6		FRAME				07	
7		-	Without			08	
8		F	With frame			09	
8		LED COLOR		LASER ETCHING COLOR		10	
9		1	Red	1	Misty Silver	Please inquire about the details with our sales representative.	
10		2	Yellow	2	Bright Silver		
11		3	Green	3	Gold		
12		4	Blue	4	White		
13		5	White	5	Bright Black		
		6	Pure Green	6	Red		
		8	Amber	7	Misty Black		
		9	Blue Green	8	Sky blue		
		10	Pink	9	Gunne Black		
		011	Purple	A	range		
		12	Red/Yellow				
		13	Red/Green				
		14	Red/Blue				
		23	Yellow/Green				
		48	Blue/Amber				
		52	White/Yellow				
		58	White/Amber				
		-	Non-LED				

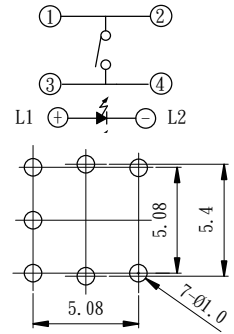
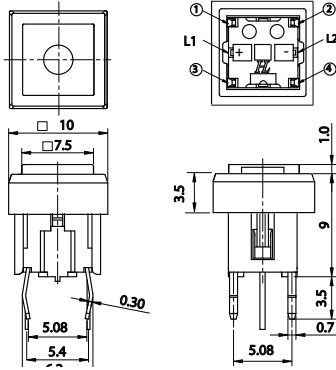
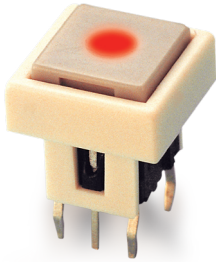
» Operating characteristics

Unit: mm

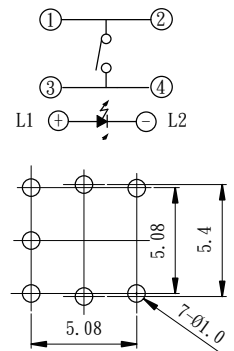
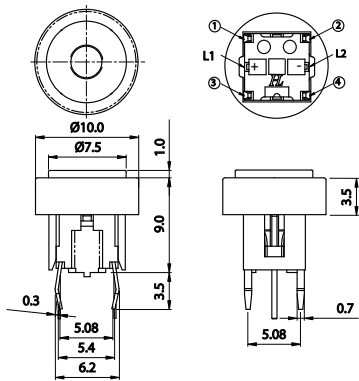
Dimensions

P.C.B Layout

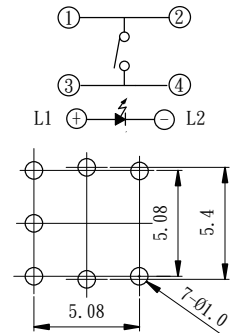
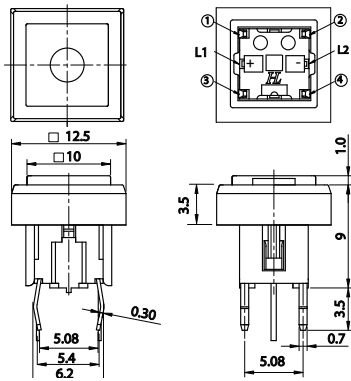
PB6141FL



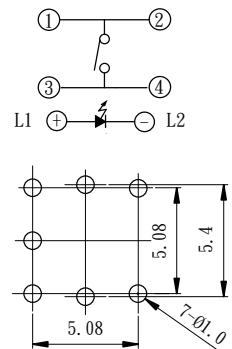
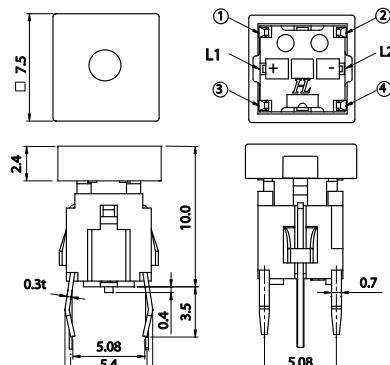
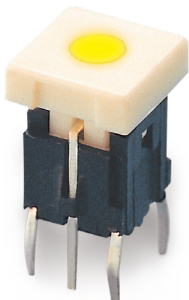
PB6142FL



PB6143FL



PB6141L



PB 614 SERIES TACT SWITCHES

ILLUMINATED

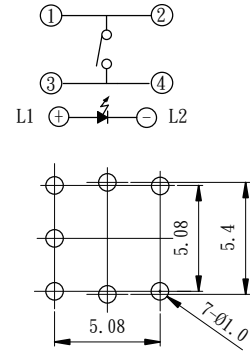
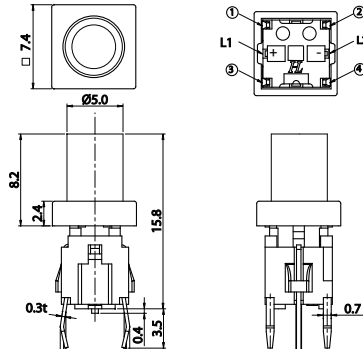
» Operating characteristics

Unit: mm

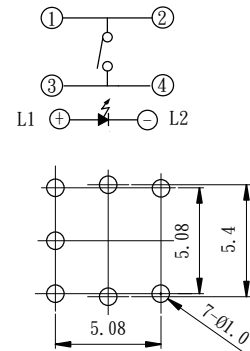
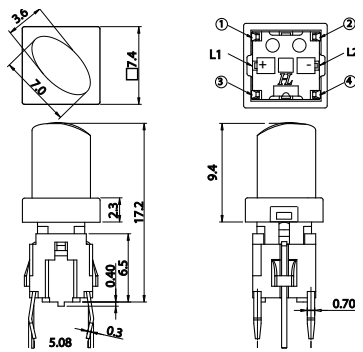
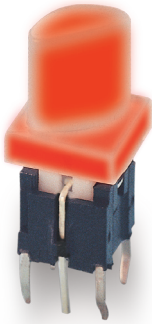
Dimensions

P.C.B Layout

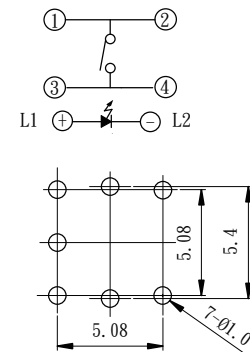
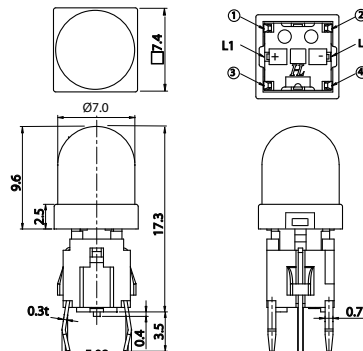
PB6144L



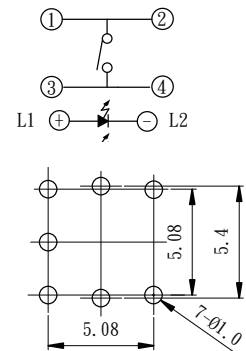
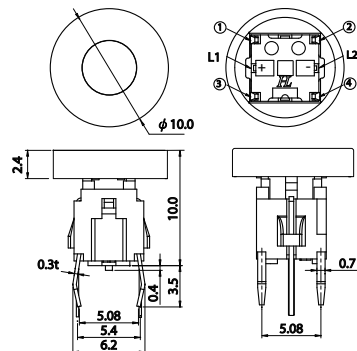
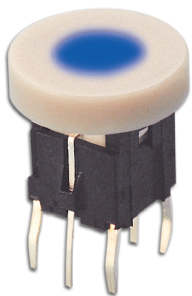
PB6145L



PB6146L



PB6147L



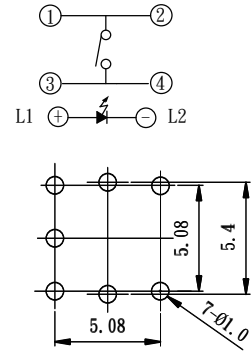
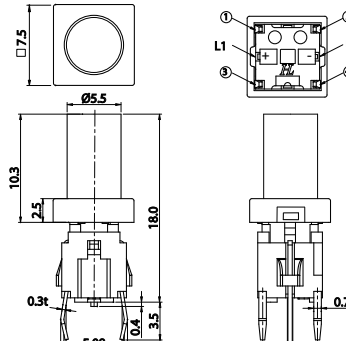
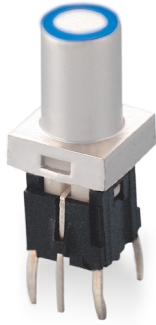
» Operating characteristics

Unit: mm

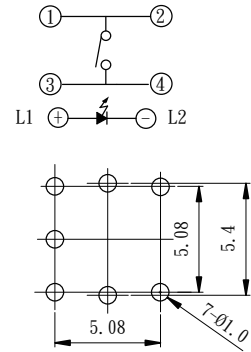
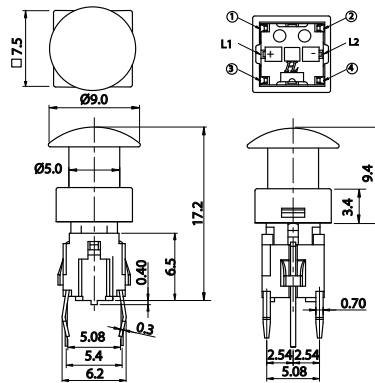
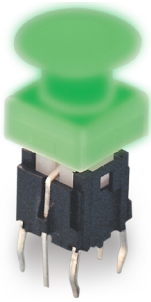
Dimensions

P.C.B Layout

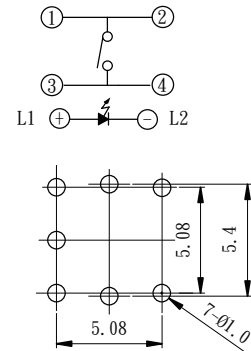
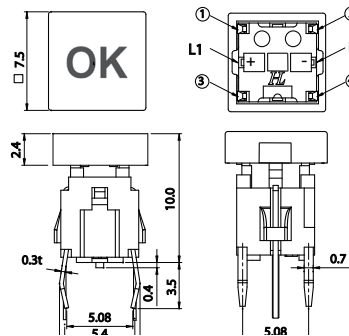
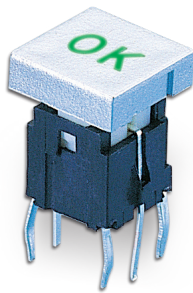
PB6149L-□-102



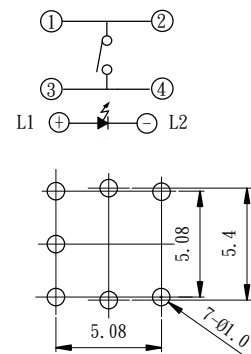
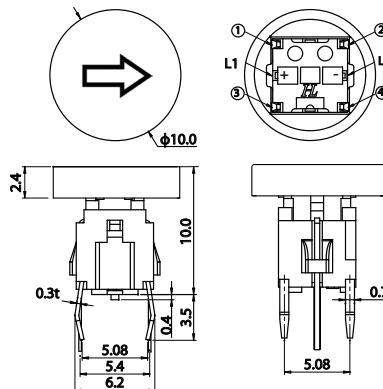
PB61410L



PB61411L-□-103



PB61412L-□-104



» Operating characteristics

Unit: mm

Dimensions

P.C.B Layout

PB61413L-□-101

