
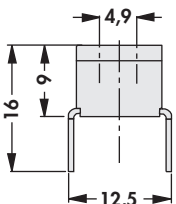
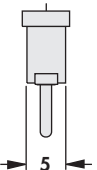

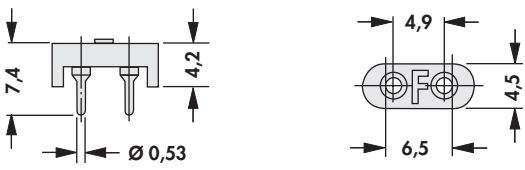
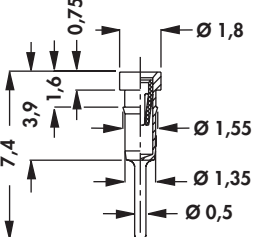

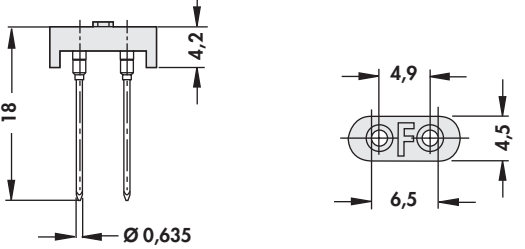
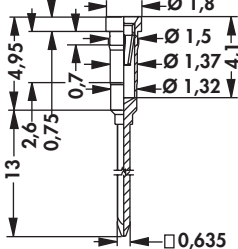


## Sockets for crystal oscillators



<b>art. no.</b>			
<b>QS 25 GS</b>			
<b>surface of contact:</b>		silver-plated	

### Precision sockets for crystal oscillators in case HC 18

<b>art. no.</b>			
<b>PQ 18 ...</b>			
<b>art. no.</b>			
<b>PQ 18 W ...</b>			
<b>please indicate:</b>		<b>... surface of contact</b> <b>G = gold-plated</b> <b>Z = tin-plated</b>	
<b>contact spring:</b>		gold-plated	

### Insulators for crystal oscillators

\* = equates self retaining

			
<b>art. no.</b>	case design	dim. [mm]	
<b>ISQ 04</b>	HC-18/U/ HC-49/U/ HC-43/U	C	D
<b>ISQ 05</b>	HC-18/U/ HC-49/U/ HC-43/U	-	0.71
<b>ISQ 06</b>	HC-18/U/ HC-49/U/ HC-43/U	-	*
<b>ISQ 07</b>	HC-18/U/ HC-49/U/ HC-43/U	2.4	0.71
<b>ISQ 08</b>	HC-18/U/ HC-49/U/ HC-43/U	2.4	*
<b>ISQ 08</b>	HC-50/U/ HC-42/U/ HC-25/U	-	1.30
<b>dielectric strength:</b>	9 kV		
<b>name of foil:</b>	MYLAR		
<b>heat resistance:</b>	250°C		
<b>material thickness:</b>	0.127 mm		