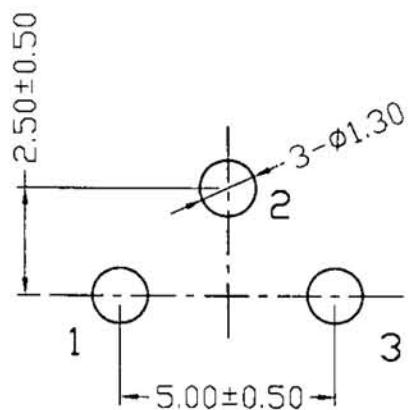
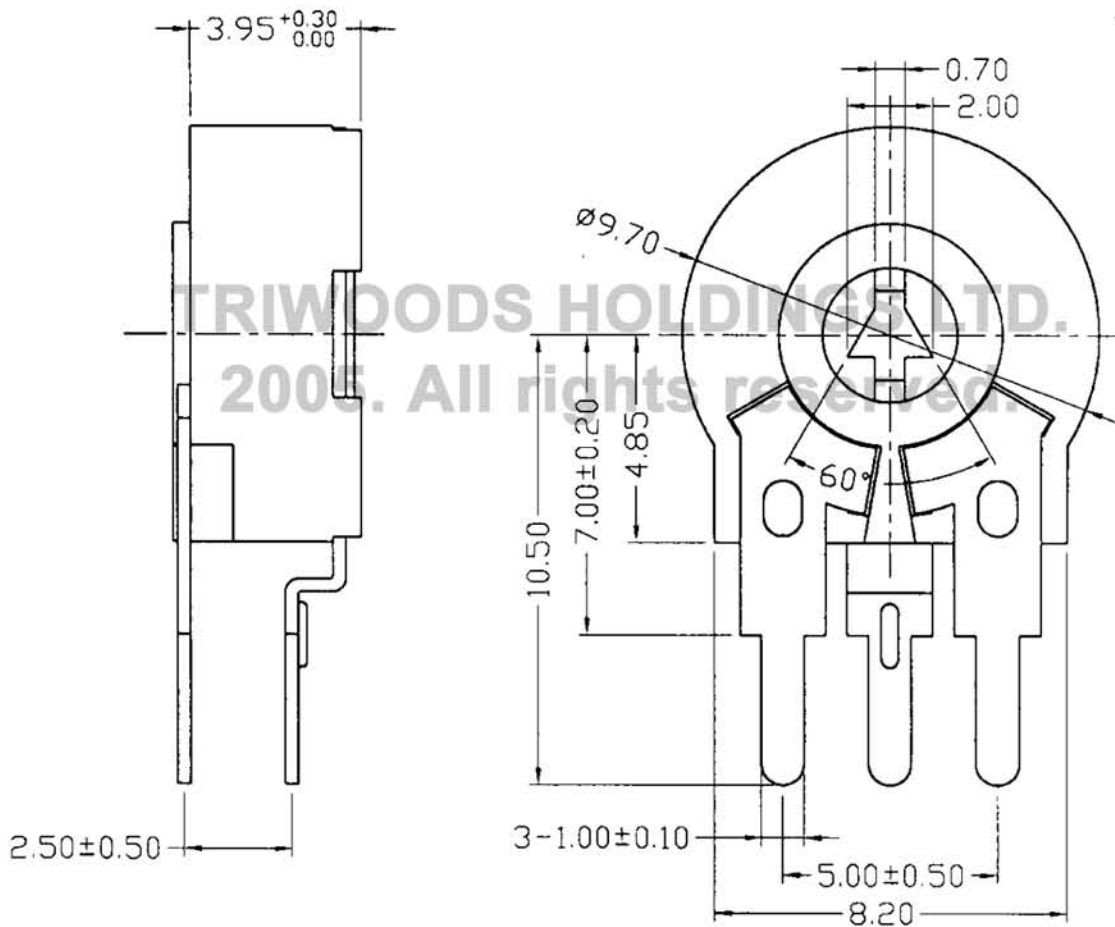
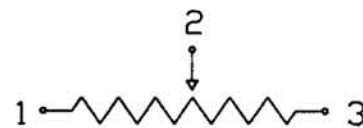


APPEARANCE

DRAWING



RECOMMEND P.C.B LAYOUT



CIRCUIT



三達集團有限公司
Triwoods Holdings Ltd.

PT-103S(5*2.5)

DRAWING NO	REV	SHEET/OF
TEC-WI-E.WX-244	A4	