

ROHS Compliant

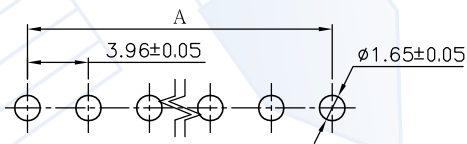
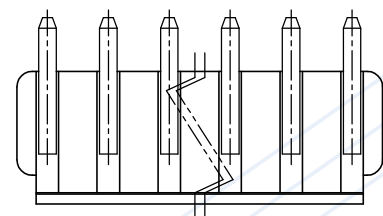
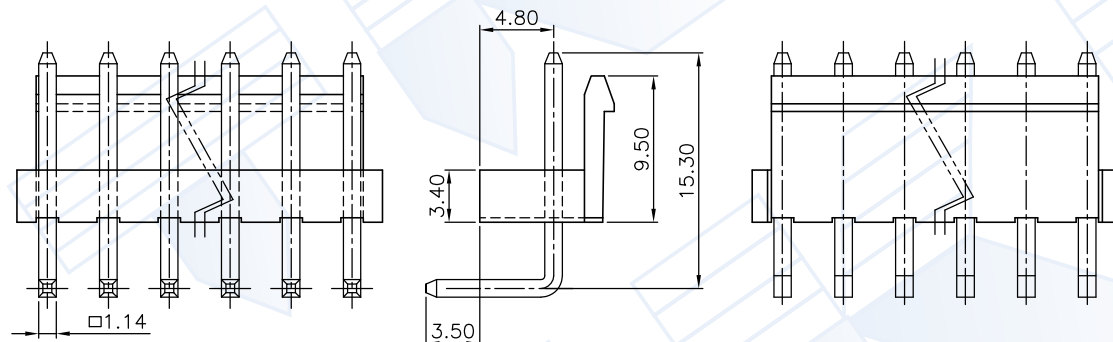
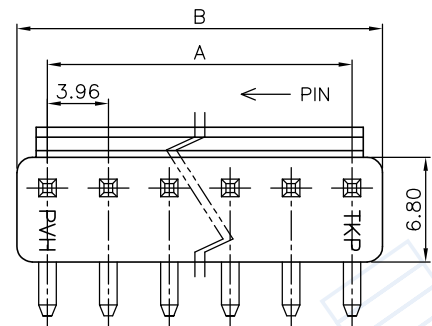


台灣駿品端子股份有限公司

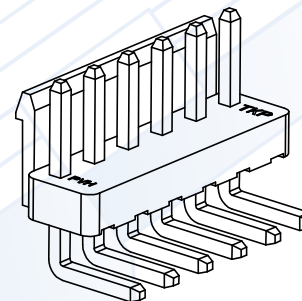
TAIWAN KING PIN TERMINAL CO.,LTD

台北縣樹林市俊德街 23 號

TEL:886-2-26895596,26886112 FAX:886-2-26886110
E-mail:info@tkp.com.tw http://www.tkp.com.tw



RECOMMENDED PCB LAYOUT



NOTE

- * Material : Nylon UL 94V-0 or UL 94V-2
- * Standard color : White
- * Contact : Brass
- * Finish : Plated Tin over Nicker
- * Electrical rating : UL 250V 10A, AC/DC
CSA 250V 6A , AC/DC
TUV 250V 7A , AC/DC
- * .045"(1.14mm) right angle square pins
- * Friction lock
- * Mates with HVH series housings
- * 2-15 circuits available
- * For GWE Testing Approval Used



Circuits	Part No.	Dim. A	Dim. B	Circuits	Part No.	Dim. A	Dim. B
2	PVHL-02	3.96	7.92	9	PVHL-09	31.68	35.64
3	PVHL-03	7.92	11.88	10	PVHL-10	35.64	39.60
4	PVHL-04	11.88	15.84	11	PVHL-11	39.60	43.56
5	PVHL-05	15.84	19.80	12	PVHL-12	43.56	47.52
6	PVHL-06	19.80	23.76	13	PVHL-13	47.52	51.48
7	PVHL-07	23.76	27.72	14	PVHL-14	51.48	55.44
8	PVHL-08	27.72	31.68	15	PVHL-15	55.44	59.40



PART NO.	PVHL-XX			Part NO.	Material	Color/Finish	Remark	APPROVAL
				PVHL-XX	Nylon UL 94V-0	White		DRAWN: 詹雅茹
TITLE	3.96mm Wire to Board			PVHL-XX-NF	Nylon UL 94V-2	White	Schulamid	CHECKED: 張明遠
THIRD ANGLE	SCALE	UNIT	SHEET NO	TOLERANCE	DATE	ODD NUMBERS	REV	APPROVED: 陳泓宇
	1.5:1	mm	1/1	.XX±0.20 ANGLE±2°	2010.08.16	ENG950649	A3	
	396-015		A396-002					