



actual size

# Quartz Crystal · JTX520

SMD Tuning Fork Crystal · 4.8 x 1.9 mm

- 32.768 kHz standard
- reflow soldering temperature: 260 °C max.
- package height 1.0 mm max.



## General Data

type	JTX520
frequency	32.768 kHz (30.0 ~ 100.0 kHz on request)
frequency tolerance at 25 °C ± 5 °C	± 10 ppm / ± 20 ppm / ± 30 ppm
load capacitance $C_L$	12.5 pF std. (7 pF ~ 12 pF on request)
temperature constant ( $T_C$ )	$T_C = -0.04 \cdot 10^{-6} / ^\circ\text{C}^2$ max. $T_C = -0.034 \cdot 10^{-6} / ^\circ\text{C}^2$ typical
frequency temperature characteristic	$f \text{ (ppm)} = T_C \cdot (25^\circ\text{C} - T)^2$ $T = \text{requested temperature}$
operating temperature range	-20 °C ~ +70 °C / -40 °C ~ +85 °C
shunt capacitance $C_0$	1.25 pF typical
series resistance max. (ESR)	80 k $\Omega$ (70 k $\Omega$ ask if available)
storage temperature	-40 °C ~ +90 °C
drive level max.	1.0 $\mu\text{W}$
aging first year	< ± 3 ppm

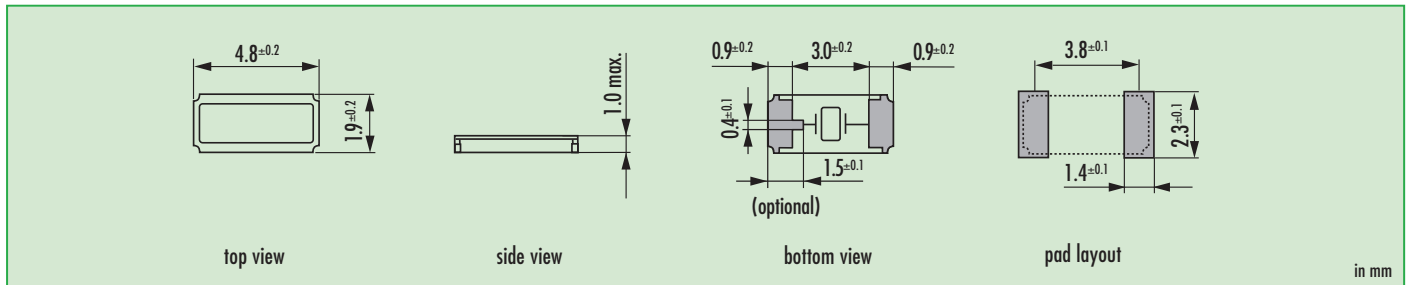
## Frequency Stability vs. Temperature

		- 80 ppm	- 160 ppm
-20 °C ~ +70 °C	STD.	●	
-40 °C ~ +85 °C	T1		●
● standard			

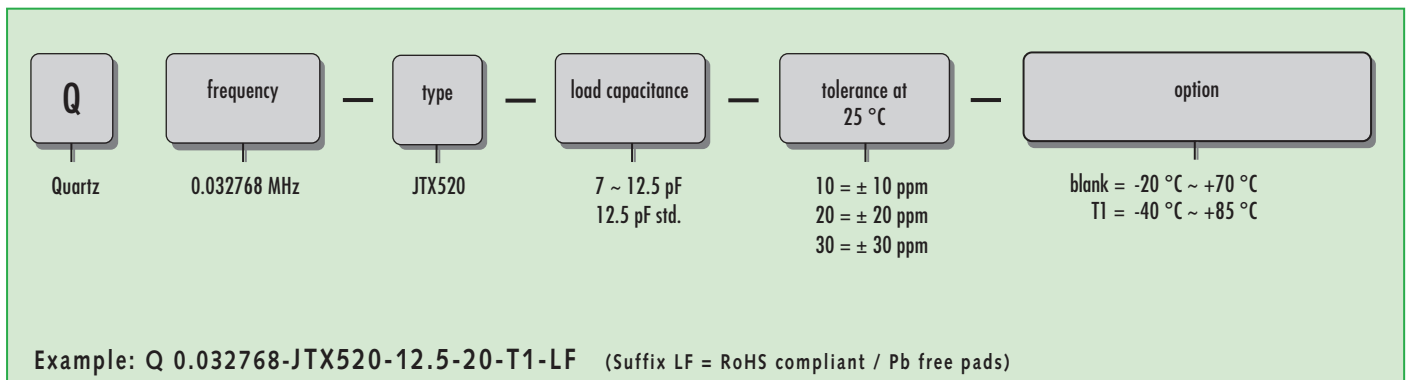
## Marking

company code  
frequency code (optional)  
date code  
production code (optional)

## Dimensions

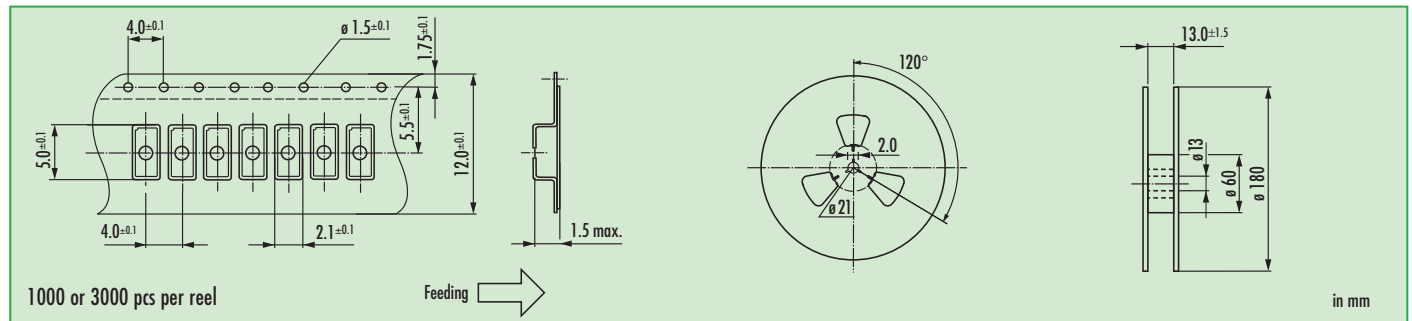


## Order Information



# Quartz Crystal · JTX520

## Taping Specification



## Reflow Soldering Profile

