

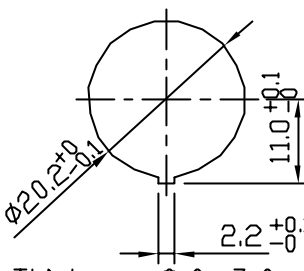
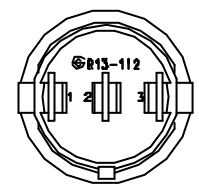
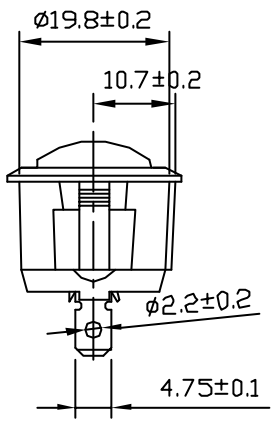
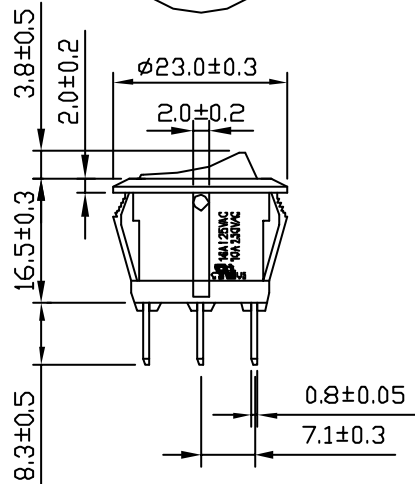
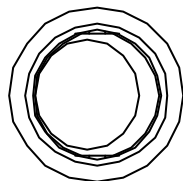
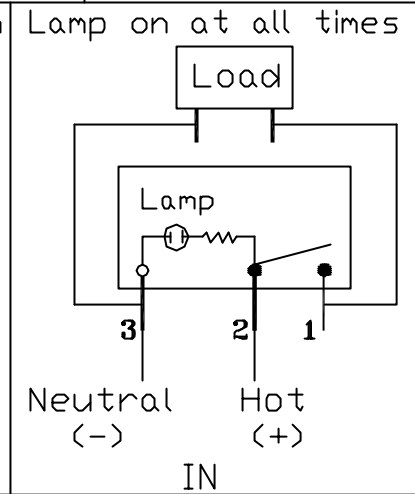
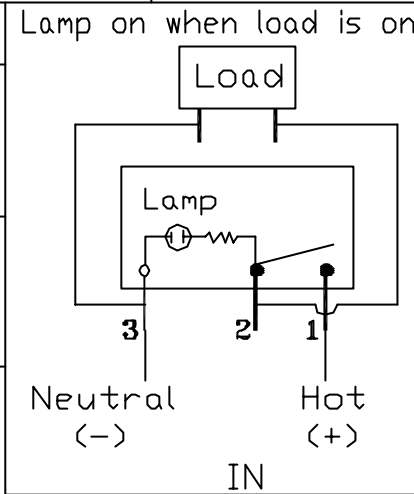
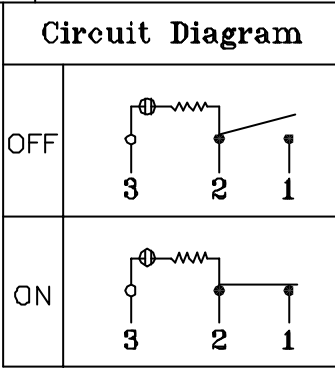


Rating	16A 125VAC		Mounting Hole
	10A 250VAC		
Contact R	50m ohm Max.		
Insulation R	DC 500V 100M ohm Min.		
Dielectric Strength	AC 1500V 1 minute		
Operation Temperature	-20°C~85°C		
Circuit	3P SPST ON-OFF (Illuminated)		

Material:
Frame: Nylon#66
Actuator: PC



- 1823178
- 1822539
- 1820993
- 1820866
- SCI NO.

C8\R13\R13-112BW-02-(1820866,993,1822539,1823178)

							△
							△
Date	Name	Descriptions					NO
Drawing	Check	Approval	SCI No.	SEE TABLE	Model Name	ROCKER SWITCH	
曹盈芳	王佰山	李景煌	Customer No.		Model No.	R13-112BW-02	
10/25/'06	10/25/'06	10/25/'06	Unit	mm	SHIN CHIN INDUSTRIAL CO., LTD.		