
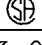
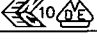
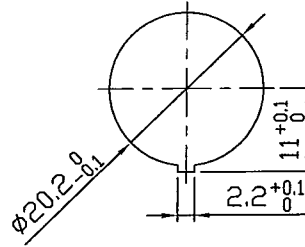
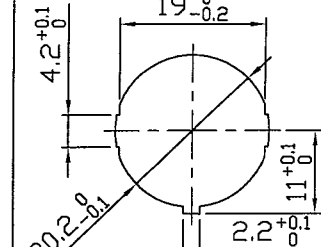
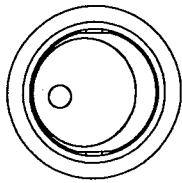
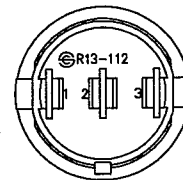
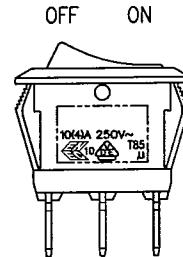
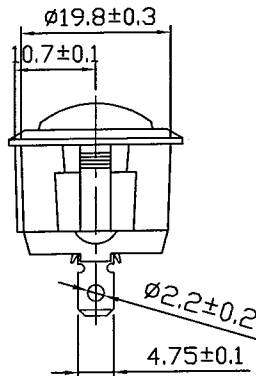
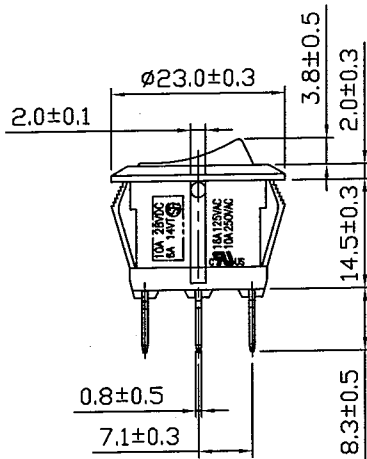
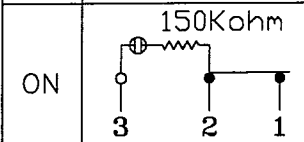
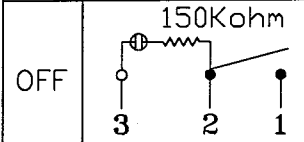


Rating	16A 125VAC, 10A 250VAC 	Mounting Hole
	10A 28VDC, 6A 14VT 	
	10(4)A 250V~ 	
Contact Resistance	50m ohm Max.	 
Insulation Resistance	DC 500V 100M ohm Min.	
Dielectric Strength	AC 1500V 1 minute	
Operation Temperature	-20°C~85°C	
Switch Function	3P SPST ON-OFF (Illuminated)	

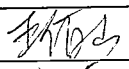
Material:  
Frame: Nylon# 66, Black  
Actuator: Nylon# 66, Black  
Lens: PC, Red  
Printed: None



**Circuit Diagram**



C8\R13\R13-112B2-02(1822866)

									△
									△
Date	Name	Description							NO
Drawn	Checked	Approved	SCI BOM NO.	1822866	Model Name	ROCKER SWITCH			
曹盈芳			Customer No.		Model No.	R13-112B2-02	REV.	0	
01/28/'10		4/28/10	Unit	mm	SHIN CHIN INDUSTRIAL CO., LTD.				