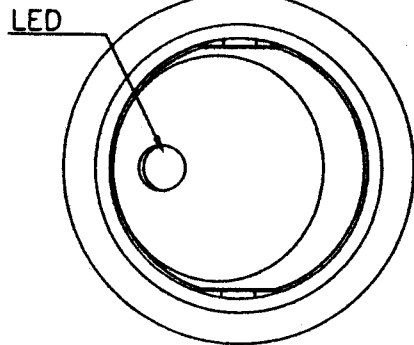
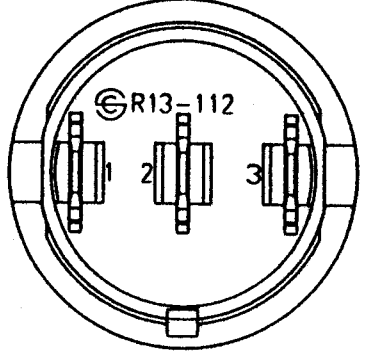
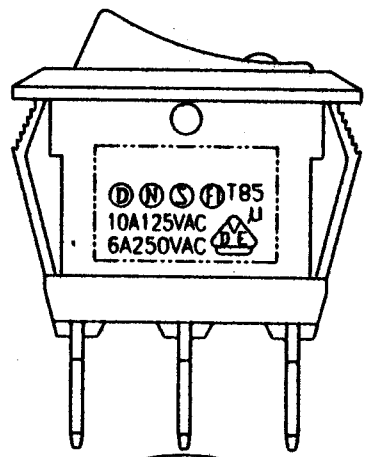
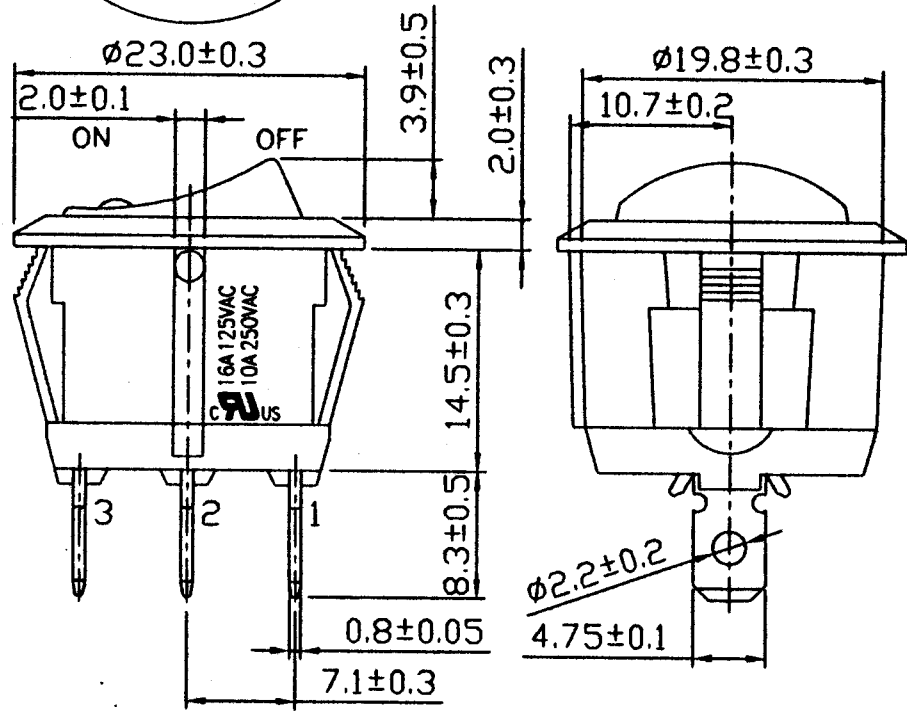
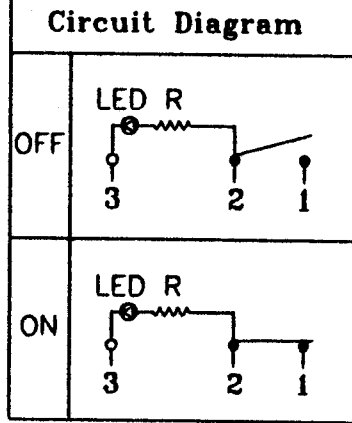


Rating	10A 28VDC, 6A 14VT	Mounting Hole	
Contact R	50m ohm Max.		
Insulation R	DC 500V 100M ohm Min.		
Dielectric Strength	AC 1500V 1 minute		
Operation Temperature	-25°~+85°		
Circuit	3P SPST ON-OFF (LED)		
		Thickness: 2.0~3.0	Thickness: 0.7~3.0



MATERIAL:
 Frame: Black, Nylon-66
 Rocker: Black, Nylon-66
 LED: Red light



發行
 94.6.09
 研發部

C3\WORW14\R13-112B9-02-DC

Date	Name	Descriptions				REV. 0	No.
Drawing	Check	Approval	SCI No.	Model Name	ROCKER SWITCH		
B.S.Wang			Customer No.	Model No.	R13-112B9-02-BBR		
5/2/'05			Unit	mm	SHIN CHIN INDUSTRIAL CO., LTD.		