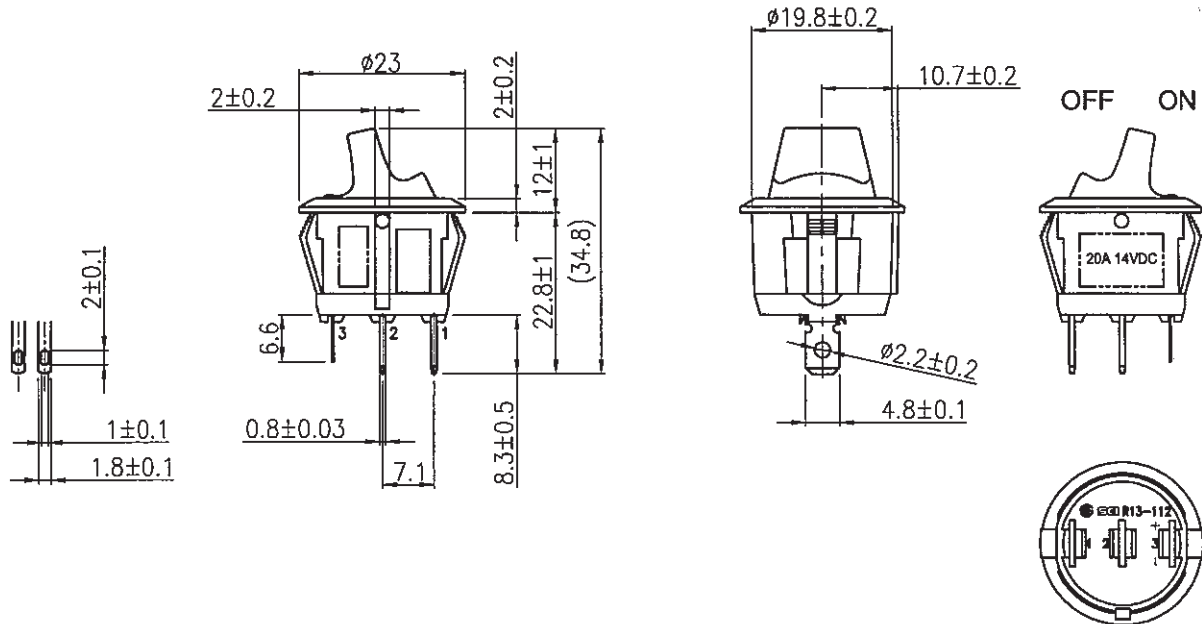
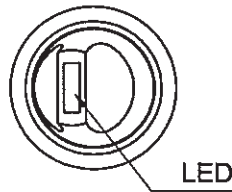
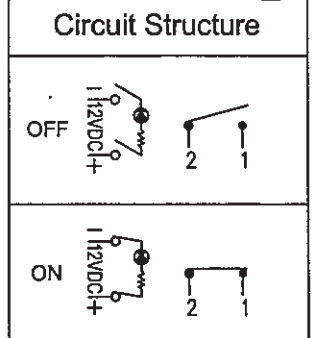


Rating	20A 14V DC	Mounting Hole	
Contact Resistance	50m ohm Max.		
Insulation Resistance	DC 500V 100M ohm Min.		
Dielectric Strength	AC 1500V 1 minute		
Operation Temperature	-20°C~85°C		
Switch Function	4P SPST ON-OFF (LED)		
		Thickness:2.0~3.0	Thickness:0.7~3.0

Material:
 Frame: Nylon#66, Black
 Actuator: Nylon#66, Black
 Terminals: Copper Alloy
 LED Color: Red



Tolerances Unless Otherwise Specified ±0.3

						△	
						△	
Date	Name	Description				No.	
Drawn	Checked	Approved	SCI BOM No.	1810610	Model Name	ROCKER SWITCH	
柳新強	<i>[Signature]</i>	<i>[Signature]</i>	Customer No.		Model No.	R13-112LP-02	Rev.
08/23/12	8/23-12	8/23-12	Unit	mm	Shin Chin Industrial Co., Ltd.		0