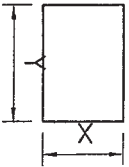
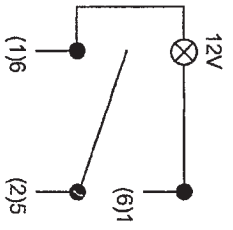
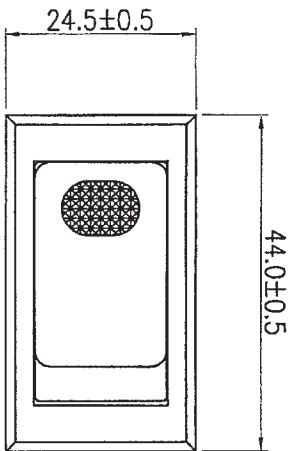
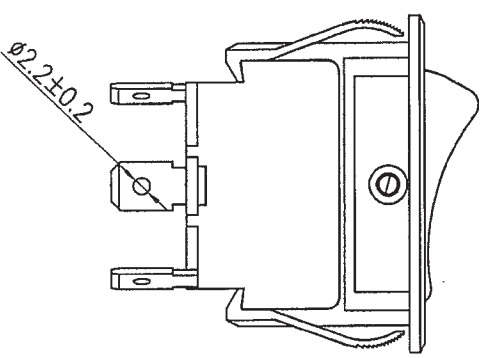
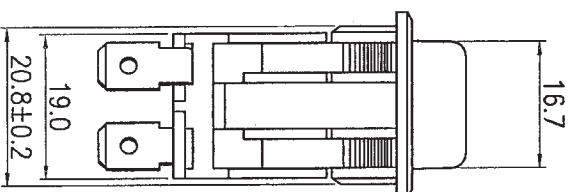
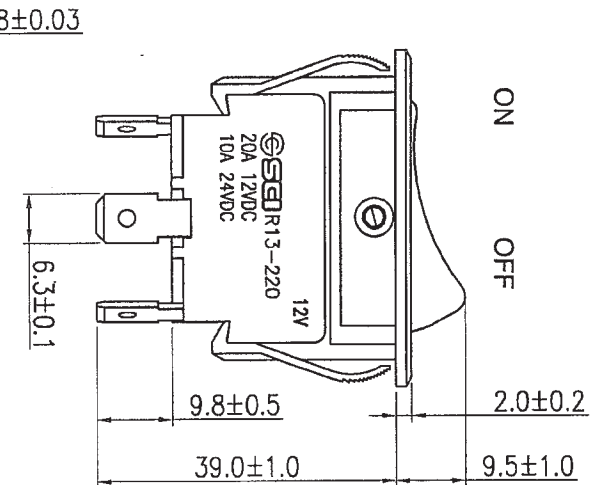


Rating	20A 12VDC	Mounting Hole	Circuit Diagram											
Contact Resistance	50m ohm Max.													
Insulation Resistance	DC 500V 100M ohm Min.													
Dielectric Strength	AC 1500V 1 minute	<table border="1"> <thead> <tr> <th>Thickness</th> <th>X</th> <th>Y</th> </tr> </thead> <tbody> <tr> <td>0.75..1.25</td> <td>21.2±0.1</td> <td>37.3-0.1</td> </tr> <tr> <td>1.25..2</td> <td>21.2±0.1</td> <td>37.5-0.1</td> </tr> <tr> <td>2...3</td> <td>21.2±0.1</td> <td>37.9-0.1</td> </tr> </tbody> </table>	Thickness	X	Y	0.75..1.25	21.2±0.1	37.3-0.1	1.25..2	21.2±0.1	37.5-0.1	2...3	21.2±0.1	37.9-0.1
Thickness	X	Y												
0.75..1.25	21.2±0.1	37.3-0.1												
1.25..2	21.2±0.1	37.5-0.1												
2...3	21.2±0.1	37.9-0.1												
Switch Function	3P SPST ON-OFF (Illuminated)													
Operation Force	900±300g													



Material:
 Frame: PF, Black
 Actuator: Nylon-66, Black
 Lens: PC, Red
 Printed: None



Tolerances ±0.3 Unless Otherwise Specified



Date	Name	Description			
Drawn	Checked	Approved	SCI BOM NO	Model Name	ROCKER SWITCH
周傑輝	符江江	Shinics	Customer No.	Model No.	R13-220BA-01
10/28/13	10/29-13	10/30-13	Unit	mm	Shin Chin Industrial Co., Ltd.
					Rev. 0