
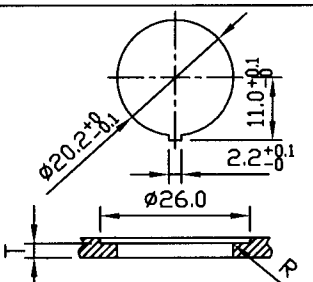
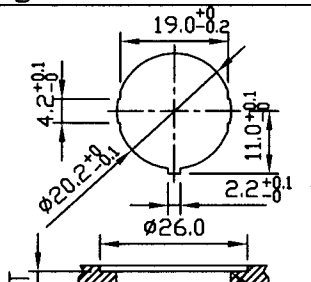
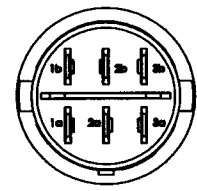
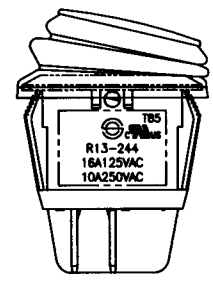
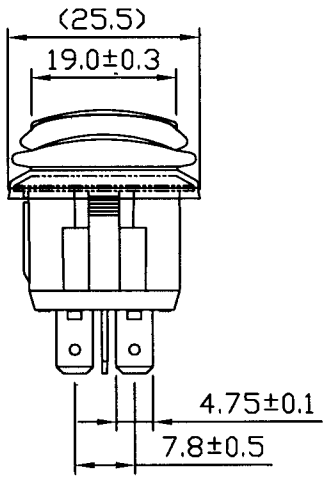
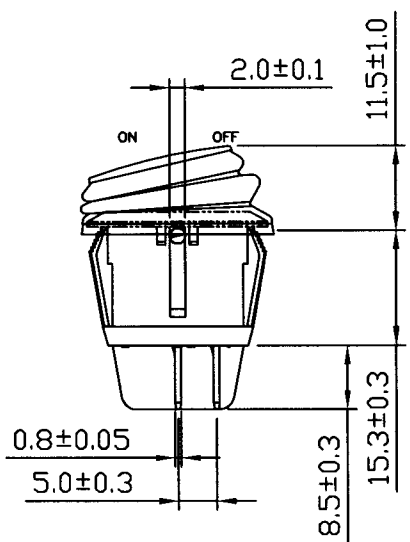
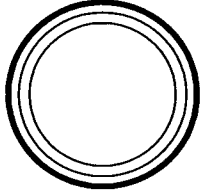
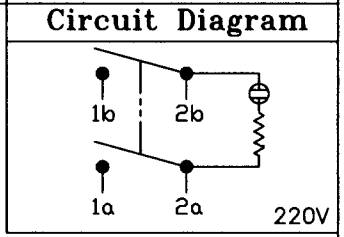



Rating	16A 125VAC 10A 250VAC		Mounting Hole		
	Contact Resistance		50m ohm Max.		
	Insulation Resistance		DC 500V 100M ohm Min.		
	Dielectric Strength		AC 1500V 1 minute	<p style="text-align: center;">Thickness: 1.5~2.5</p> <p style="text-align: center;">Thickness: 0.7~2.5</p>	
	Operation Temperature		-25°C~85°C		
	Switch Function		4P DPST ON-OFF (LED)		

Frame: Black, Nylon 66 (94-V2)
 Actuator: Red, PC clear (94-V2)
 Waterproof rubber: Black, Silicone
 Terminals: Silver plated, Copper alloy
 Printed: None
 Waterproof: IP65



C8\R13\R13-244B8-02(1824158)

						△	
						△	
Date	Name	Description				NO	
Drawn	Checked	Approved	SCI BOM NO	1824158	Model Name	ROCKER SWITCH	
曹盈芳	<i>[Signature]</i>		Customer No.		Model No.	R13-244B8-02	REV.
04/08/'08	4/8/08		Unit	mm	 SHIN CHIN INDUSTRIAL CO., LTD.		0