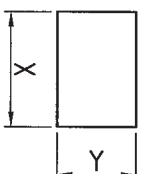
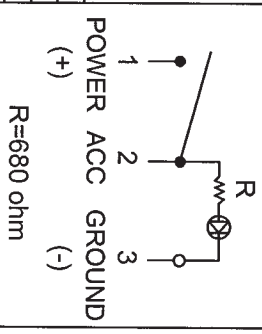


Rating	20A 12V DC
Contact Resistance	50m ohm Max.
Insulation Resistance	DC 500V 100M ohm Min.
Dielectric Strength	AC 1500V 1 minute
Operating Force	450g±200g
Switch Function	3P SPST ON-OFF (LED dependent)

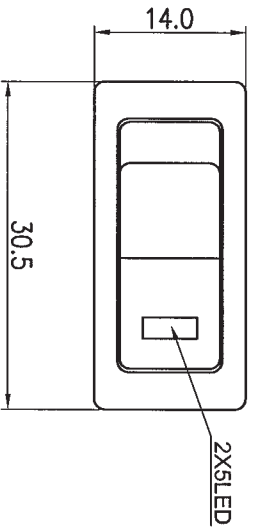
Mounting Hole



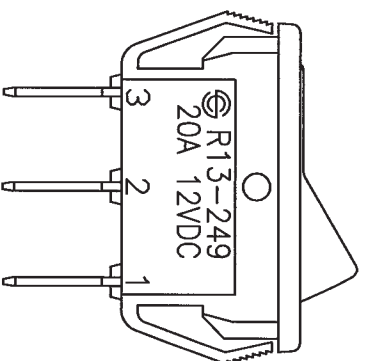
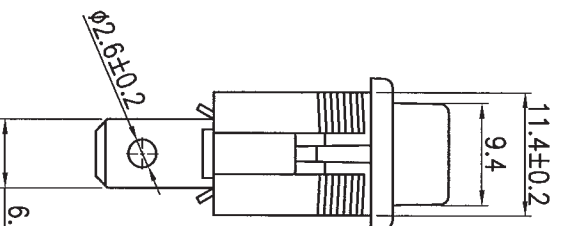
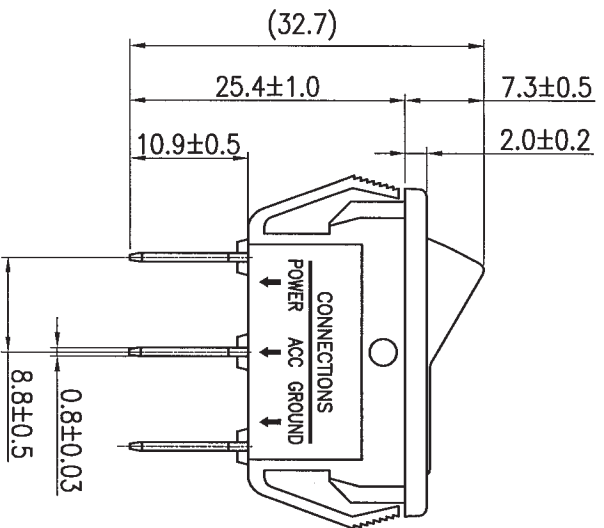
Circuit Diagram



Thickness	X	Y
0.75...2.0	28.5+0.1	11.6+0.1
2.0...3.0	28.7+0.1	11.6+0.1
3.0...4.0	29.0+0.1	11.6+0.1



Material:
 Frame: Black, Nylon 66
 Actuator: Black, Nylon 66
 LED: Red



Tolerances Unless Otherwise Specified ±0.3

Date	Name	Description		No.	
Drawn	Checked	Approved	SCI BOM No.	Model Name	ROCKER SWITCH
曹盈芳		<i>[Signature]</i>		Model No.	R13-249L-01
05/27/15		5/29/15	Unit	mm	Shin Chin Industrial Co., Ltd.
					Rev. 0