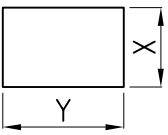
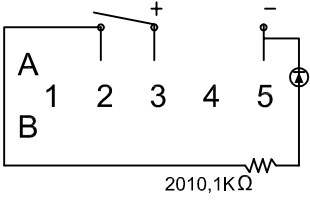
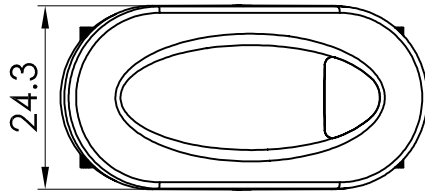


Rating	21A 14VDC	Mounting Hole	Circuit Diagram												
Contact Resistance	50m ohm Max.														
Insulation Resistance	DC 500V 100M ohm Min.														
Dielectric Strength	AC 1500V 1 minute														
Operation Temperature	-20°C~85°C														
Switch Function	3P SPST OFF-ON	<table border="1"> <tr> <th>Thickness</th> <th>X</th> <th>Y</th> </tr> <tr> <td>0.75~1.25</td> <td>21.2±0.1</td> <td>36.6±0.1</td> </tr> <tr> <td>1.25~2</td> <td>21.2±0.1</td> <td>36.8±0.1</td> </tr> <tr> <td>2~3</td> <td>21.2±0.1</td> <td>37.0±0.1</td> </tr> </table>	Thickness	X	Y	0.75~1.25	21.2±0.1	36.6±0.1	1.25~2	21.2±0.1	36.8±0.1	2~3	21.2±0.1	37.0±0.1	
Thickness	X	Y													
0.75~1.25	21.2±0.1	36.6±0.1													
1.25~2	21.2±0.1	36.8±0.1													
2~3	21.2±0.1	37.0±0.1													



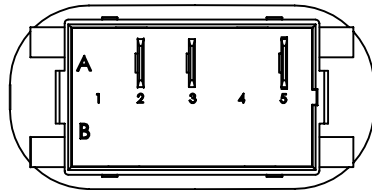
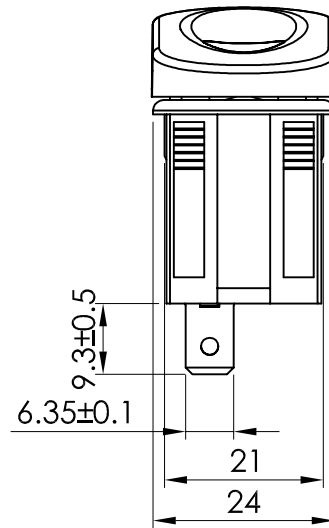
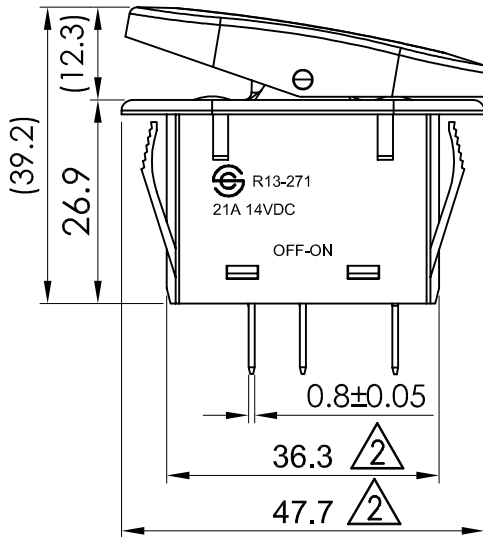
Material:

Frame: Black, Nylon#66

Actuator: Black, Nylon#66+30 %GF

Lens: Red, PC

Printed: None



TOLERANCE: ±0.3mm UNLESS OTHERWISE SPECIFIED.

C8\R13\R13-271A2-01-BBNR-210200-1(1823363)_3

10/12/'10	曹盈芳	動作特性有誤, 更正本體印刷, 原ON-OFF更正為OFF-ON		⚠			
09/22/'08	曹盈芳	依編碼規則圖更正圖號, 本體修改, 配合裝配孔增加4處肋		⚠			
12/03/'07	曹盈芳	本體追加Rating印刷		⚠			
Date	Name	Description		NO			
Drawn	Checked	Approved	SCI BOM No.	1823363	Model Name	ROCKER SWITCH	
曹盈芳	詹家榮	王佰山	Customer No.		Model No.	R13-271A2-01-BBNR-210200-1	
10/12/'10	10/14/'10	10/14/'10	Unit	mm	Shin Chin Industrial Co., Ltd.		
							Rev. 3