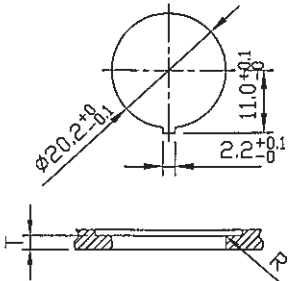
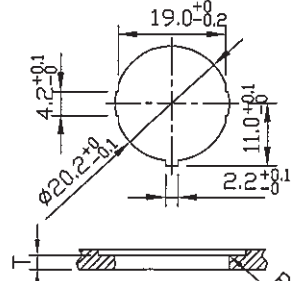
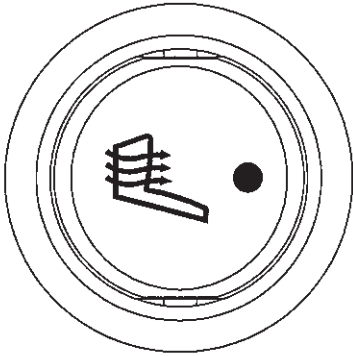
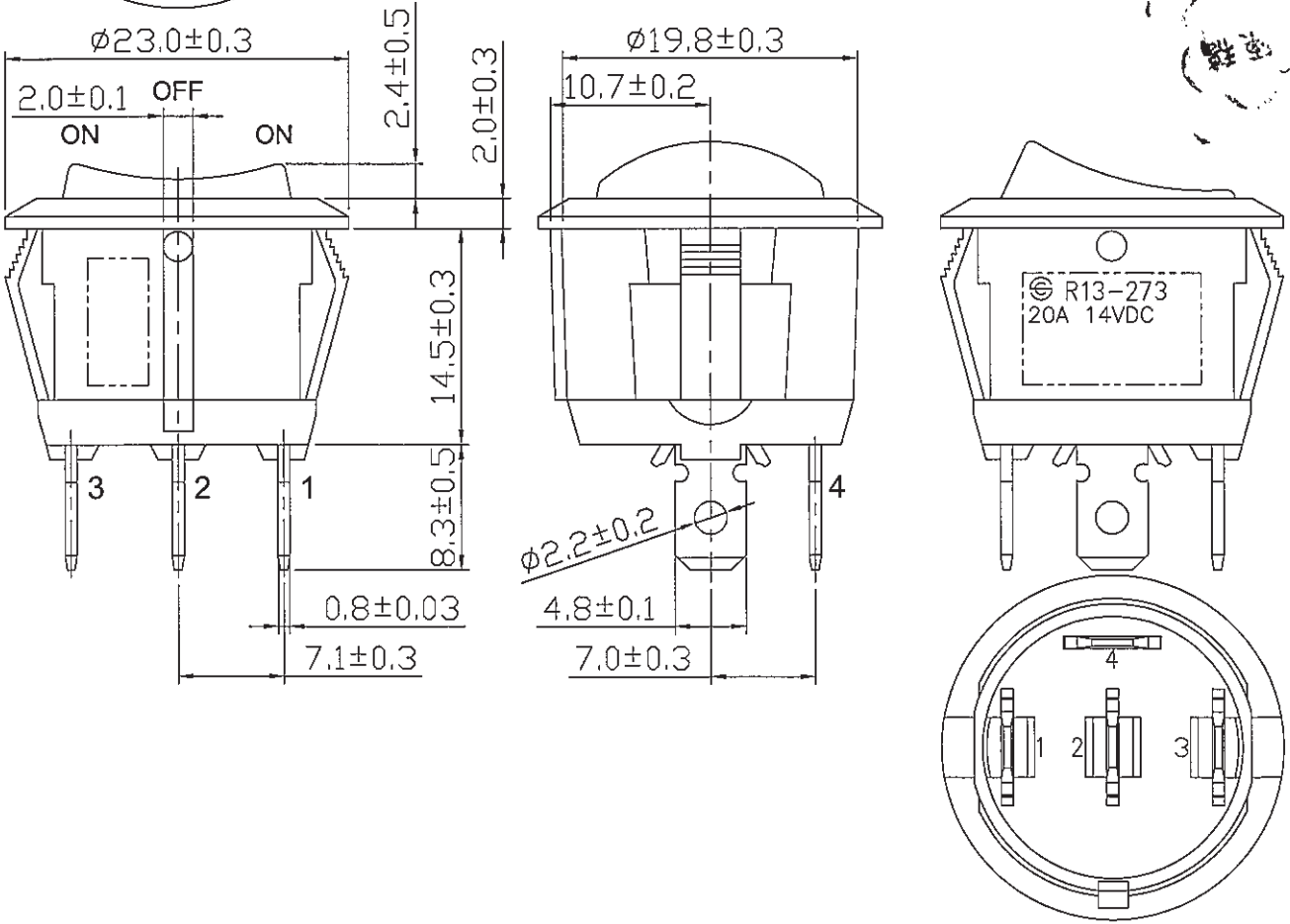
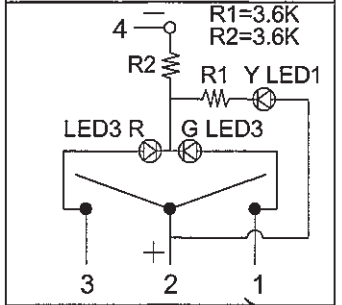


Rating	20A 14VDC	Mounting Hole	
Contact Resistance	50m ohm Max.		
Insulation Resistance	DC 500V 100M ohm Min.	Thickness:2.0~3.0	
Dielectric Strength	AC 1500V 1 minute	Thickness:0.7~3.0	
Operation Temperature	-25°C~85°C		
Function Switch	4P SPDT ON-OFF-ON (3 LED)		



MATERIAL:
 Frame: Black,Nylon-66
 Actuator: White diffused,PC with Black painting
 LED1: Yellow light(in seat-heating symbol) (always on)
 LED2/3: Green/Red color light(in dot symbol) (when load is on)
 Printed: Laser engrave,seat-heating(w=0.35~0.4mm) and dot symbol(φ2.0)

Circuit Diagram



C8/R13/R13-273DL-02

								▲
								▲
Date	Name	Description						NO
Drawn	Checked	Approved	SCI BOM No.	1825399	Model Name	ROCKER SWITCH		
曹盈芳		王/山	Customer No.		Model No	R13-273DL-02-BBYGR	Rev.	
07/11/12		2/12/12	Unit	mm	Shin Chin Industrial Co., Ltd.			0