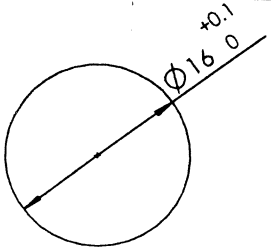
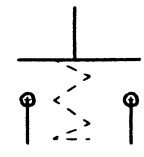
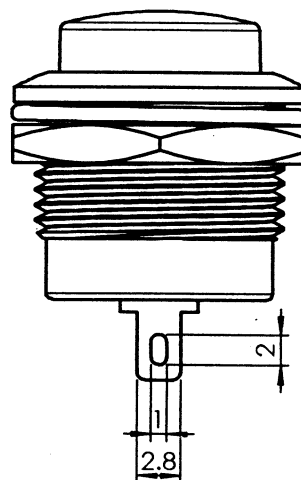
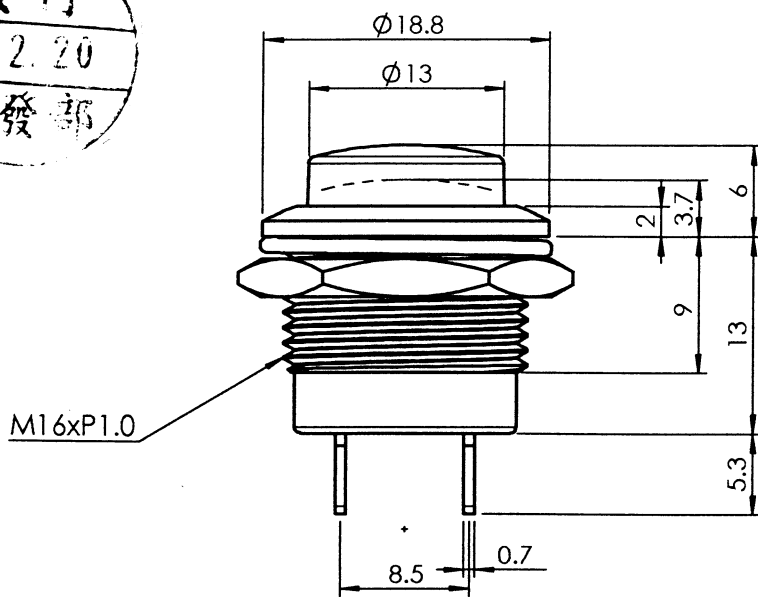
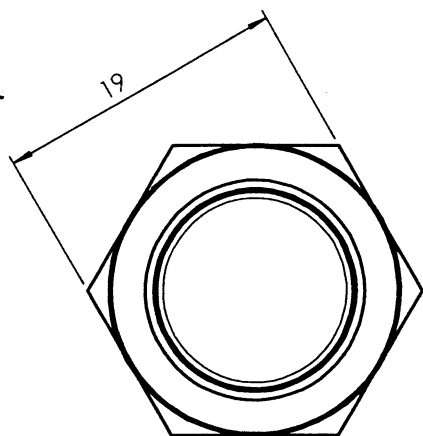


規格 Rating	6A 125VAC/3A 250VAC	裝配孔 Mount Hole	線路圖 Circuit Structure
接觸電阻 Contact R.	50m ohm Max.		
絕緣電阻 Insulation R.	DC 500V 100M ohm Min.		
耐電壓 Dielectric Strength	AC 1500V 1minute		
動作特性 Circuit	2P SPST OFF-(ON)		

Operation Temperature: -20°C~85°C
操作溫度



△		DATE	Name	Descriptions			
DRAWN	CHECKED	APPROVED	SCI No.	Model Name			
			Customer No.	Model NO.		R13-507MA	
2/13-01'			Unit	mm	SHIN CHIN INDUSTRIAL CO., LTD.		